



THERA 650



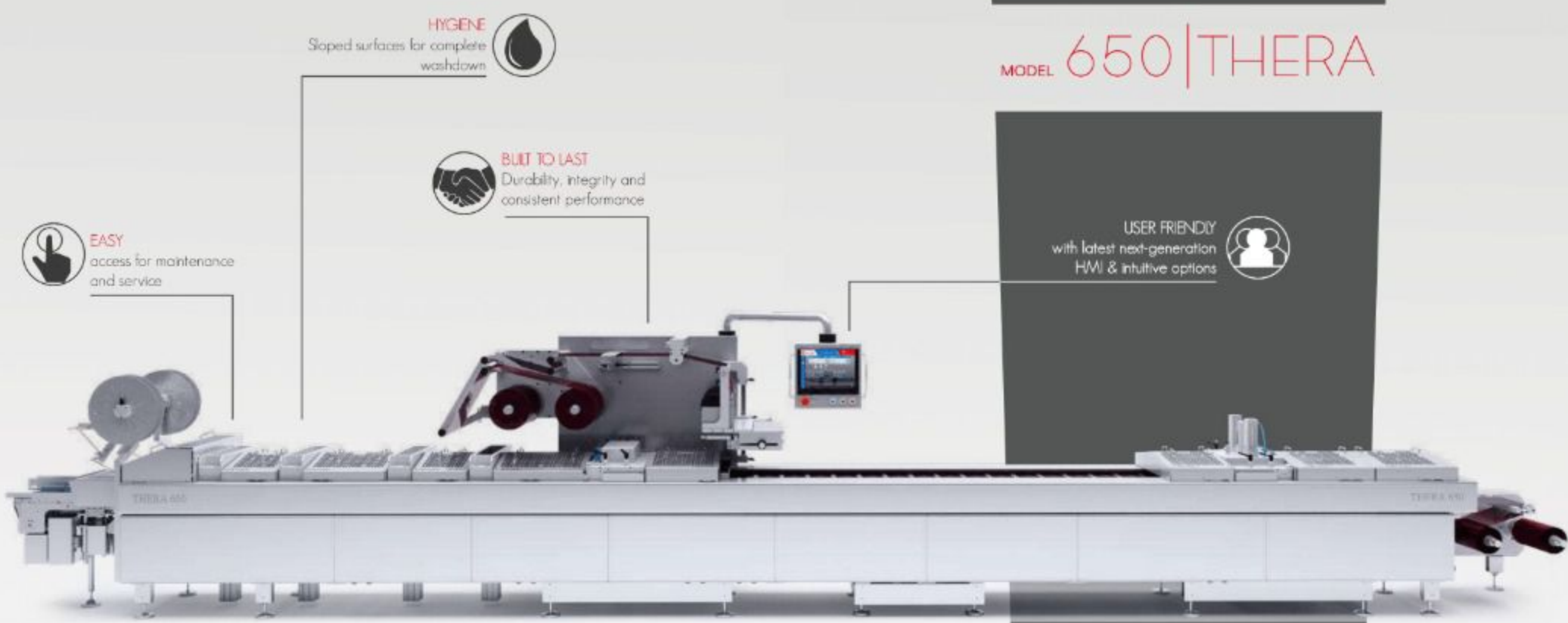
Cutting-edge technology,
superior quality and high performance,
matured throughout half a century
of experience.

THERA 650

COLIMATIC FLAGSHIP!




MODEL 650 | THERA



HYGENE
Sloped surfaces for complete
washdown 

BUILT TO LAST
Durability, integrity and
consistent performance 

USER FRIENDLY
with latest next-generation
HMI & intuitive options 

EASY
access for maintenance
and service 

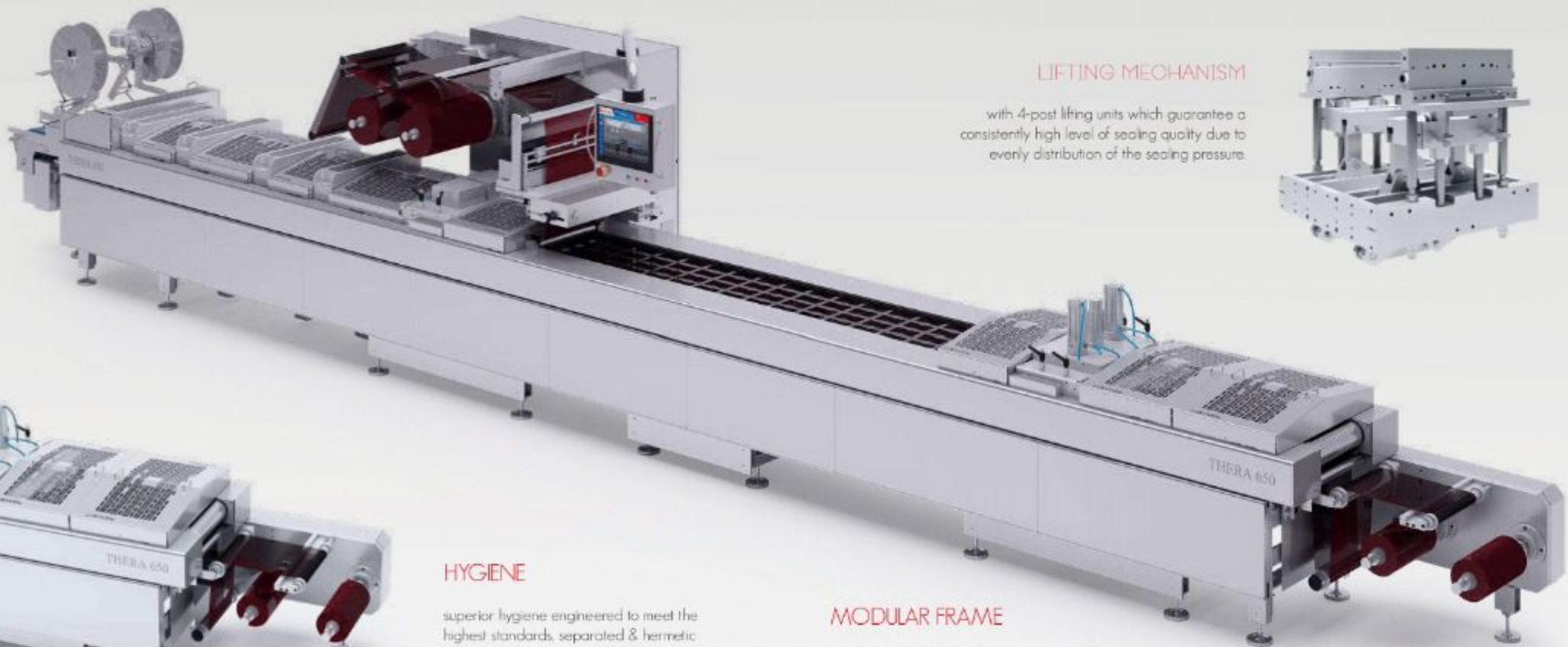
TOP PERFORMANCE
The highest packaging output
level, for this machinery range 

TAILOR MADE:
No limits to customization 

COMPATIBILITY
& synchronizations with a wide
variety of devices & accessories 

Massive COST SAVINGS
on labor & packaging materials 

ROCK-SOLID
Stainless steel frame &
components 



LIFTING MECHANISM

with 4-post lifting units which guarantee a consistently high level of sealing quality due to evenly distribution of the sealing pressure.



HYGIENE

superior hygiene engineered to meet the highest standards, separated & hermetic valve boxes; no sharp edges; sloped surfaces and optional water proof HMI.

MODULAR FRAME

to ensure the highest level of flexibility, with modular construction, uncompromisingly tailored to customers applications of today and still remain open to the demands of tomorrow.

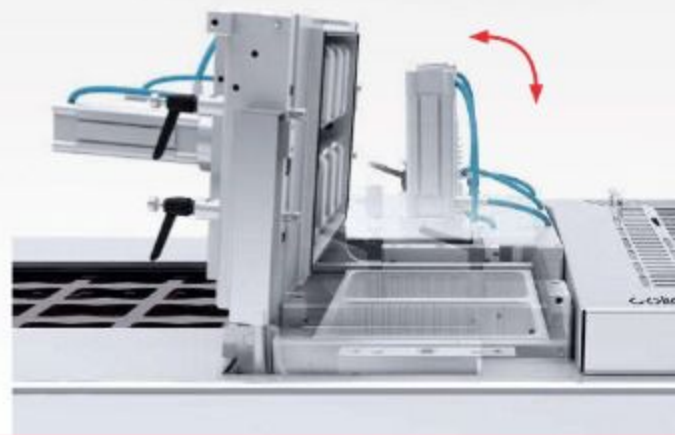


RESISTIVE OPERATOR PANEL

to allow a friendly HMI use in any working condition. The safety system detects hazards, stops the machine and activates the remote assistance service for faster reaction times.

HINGED CHAMBERS

with folding opening device to allow the fastest format change, cleaning & maintenance operations.



TECHNOLOGIES

- Sealing
- Vacuum
- Modified atmosphere (MAP)
- Shrink

- Skinpak
- Posiform
- Double chamber automatic die configuration (FV)
- Multiple indexes

COMPONENTS

- Electrical: PLC Siemens
- Pneumatic: FESTO
- Vacuum Pumps: BUSCH
- Control interface: PLC Siemens

PERFORMANCE

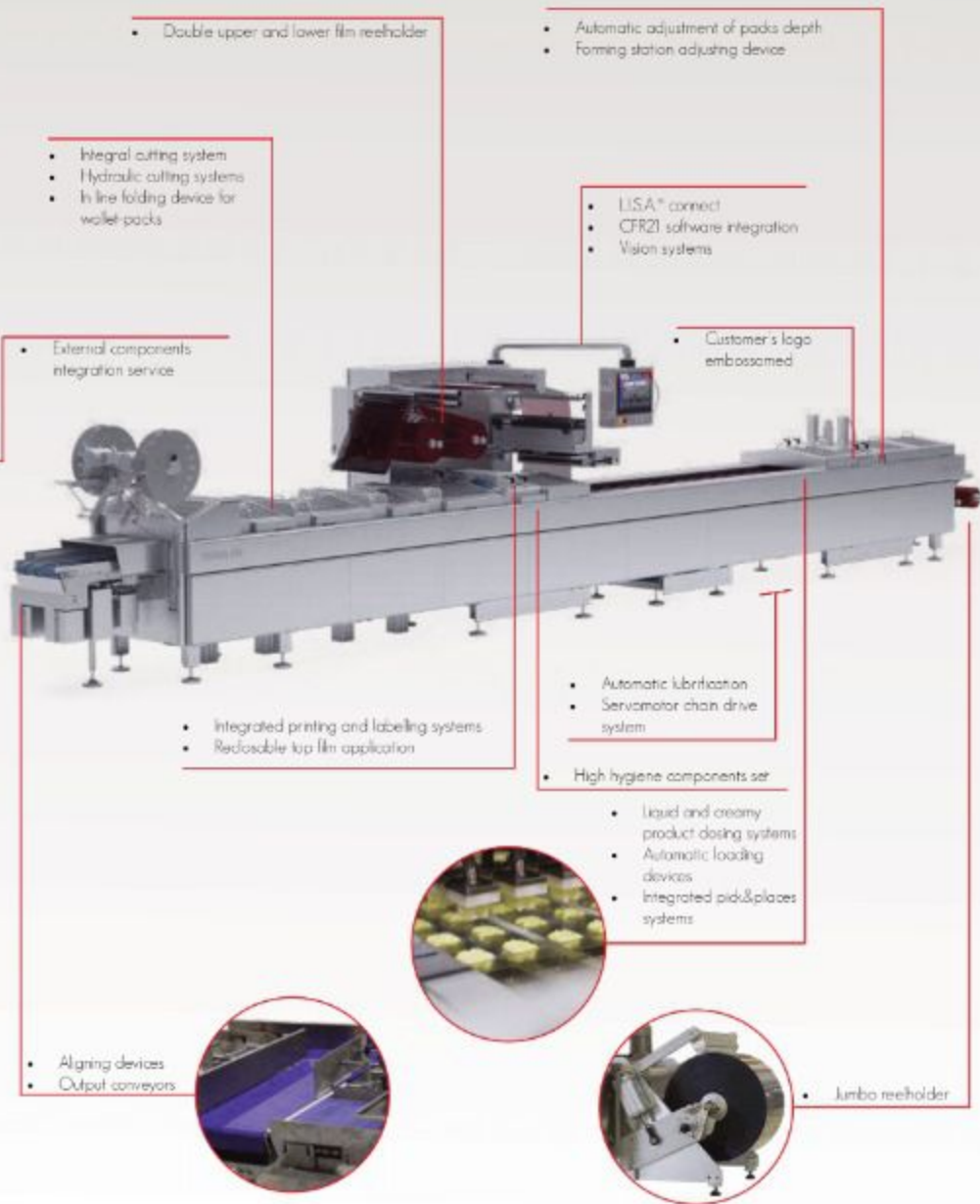
- Production: Up to 35 cycles/min
- Film material: film thickness up to 1200 my
- Top film reel Max diam. 500 mm
- Bottom film reel Max diam. 500 mm

TECHNICAL FEATURES

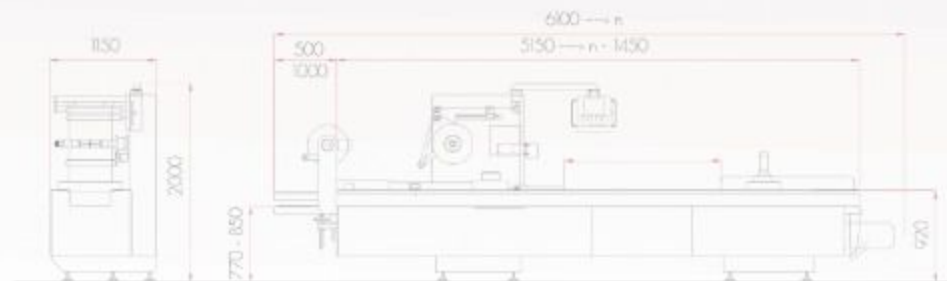
- Machine length: Customized
- Machine width: up to 1200 mm
- Machine height: up to 2000 mm
- Loading area: Customized
- Bottom film width: up to 650 mm
- Top film width: Up to 640 mm
- Max advancing index: Up to 1100 mm
- Pack max depth: Up to 220 mm



OPTIONALS



NOTE



ITALIAN SOUL



GLOBAL ATTITUDE



SMALL
ENOUGH TO LISTEN
BIG ENOUGH
TO SERVE!



COLIGROUP SpA Via del lavoro A, 9 25032

CHIARI IBSI Italy

Phone - 39 030 7000761/2/3

Fax - 39 030 713370

Email: info@colimatic.it www.colimatic.com