

The crane driver's seat KFS 4 has stepless high adjustment by means of a gas-loaded spring and an oilhydraulic vibration absorption system with weight adjustment.

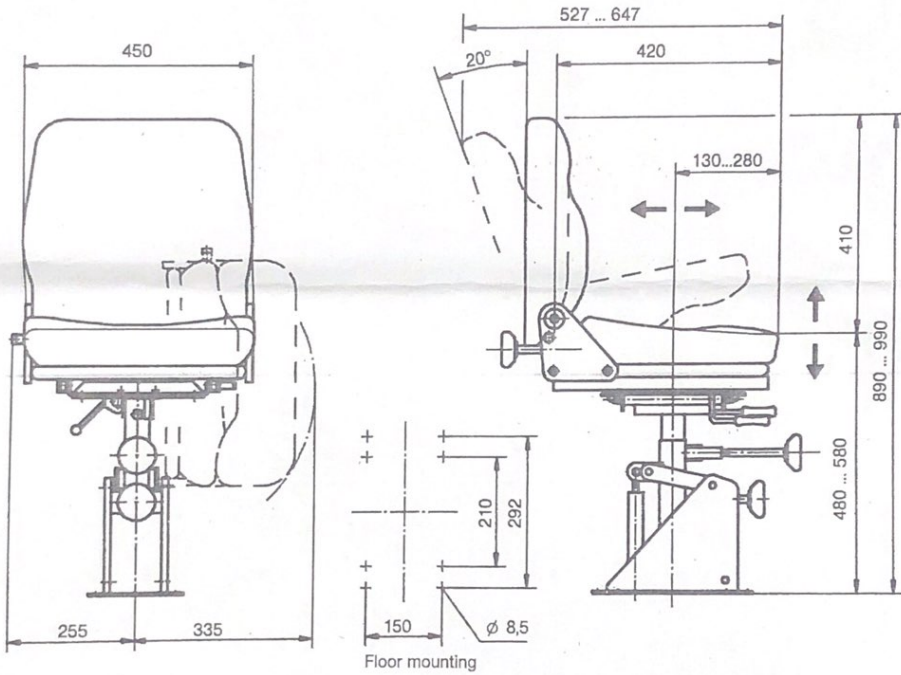
The backrest can be tilted, forwards onto the cushion, which in turn can then be tilted 90° sideways.

All these functions are performed easily via levers.

The metal parts are protected against corrosion and painted black.

Technical details:

Suspension stroke	80 mm
Weight adjustment	50-130 kg
Horizontal adjustment	150 mm
Backrest adjustment, fine control inclination backwards	max. 20°
Height adjustment	100 mm



Pos.		Weight kg	Part No.	Type	Price EURO
1	Driver's seat with air-permeable artificial leather cover black	24		KFS 41	
2	Driver's seat with textil cover grey / black	24		KFS 42	
3					
4	Armrest fully adjustable (2 pieces) 50 mm wide				
5	Armrest fully adjustable (2 pieces) 100 mm wide				
6					
7					
8					
9					
10					