

Specifications for standard middle power presses illustrated in this brochure are given below :

**Technical specifications :**

		TYPES MP10M				
		MP 3 M	MP 4 M	MP 5 M	MP 6 M	MP T 1000 X
Piston Diameter	mm	600	600	600	600	1000 X
Pressure of Oil in Circuit	atm	266	230	266	300	266 XX
Total Piston Power	l	600	660	780	660	1000 XX
Platen Dimensions	mm	1370x680	1370x900	1370x900	1370x900	1800x1000
Pressure	Kg/cm <sup>2</sup>	55.2	52.7	60.8	66.7	66.7 XX
Space Between Platens	mm	120	120	140	140	100 XX
Complete Working Cycles/Min.	n	8-10	8-10	8-10	8-10	8-10 X
Electric Power Required	CV	15	20	20	20	35 XX
Net Wgt. Incl. Pump & Motor	Kilos	10000	13800	14800	15800	18000
Overall Dimensions	mm	2790x1350 x2480	2810x1440 x2580	2810x1440 x2720	2810x1440 x2740	3680x1940 x2800
Shipping Space Incl. Pump & Motor	ml'	14	15	16	16	18 XX

**Specific pressure according to different size of plates available**

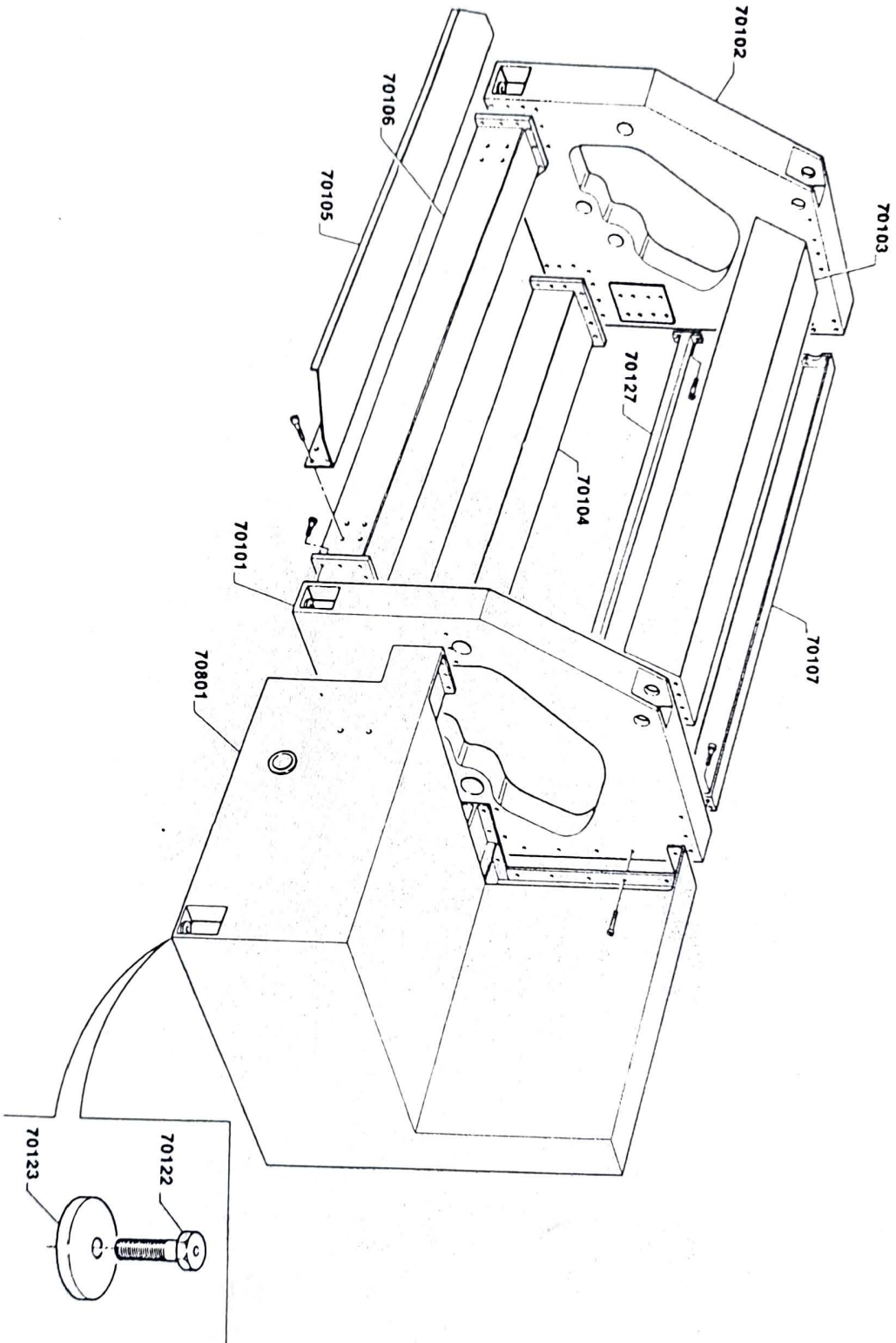
Size of Plates	MP 3 M	MP 4 M	MP 5 M	MP 6 M	MP T 1000
1370x680	55.2	71.9			
1370x900	40.5	52.7	60.8	66.7	
1370x1000	38.5	47.4	54.7	61.9	73
1500x1000			50.0	56.5	66.7
1500x1370				41.2	48.5

The press is delivered with the following accessories at no additional cost

- Motor and Electric Driving Equipment
- Hydraulic Rotation Pump
- Timing Device for Pressure Time Regulation
- Hydraulic Manometer for Press Control
- Electrical Contact Thermostat for Regulation and Control of temperature
- Heating Platen
- Felt or Rubber Sheet
- Electric Light on Working Zone
- Accessories Necessary for the Use and Maintenance of the Machine.

*Signature*

STRUTTURA E COLLEGAMENTI - STRUCTURE AND CONNECTIONS  
BATI ET BRANCHEMENTS - ESTRUCTURA Y CONEXIONES

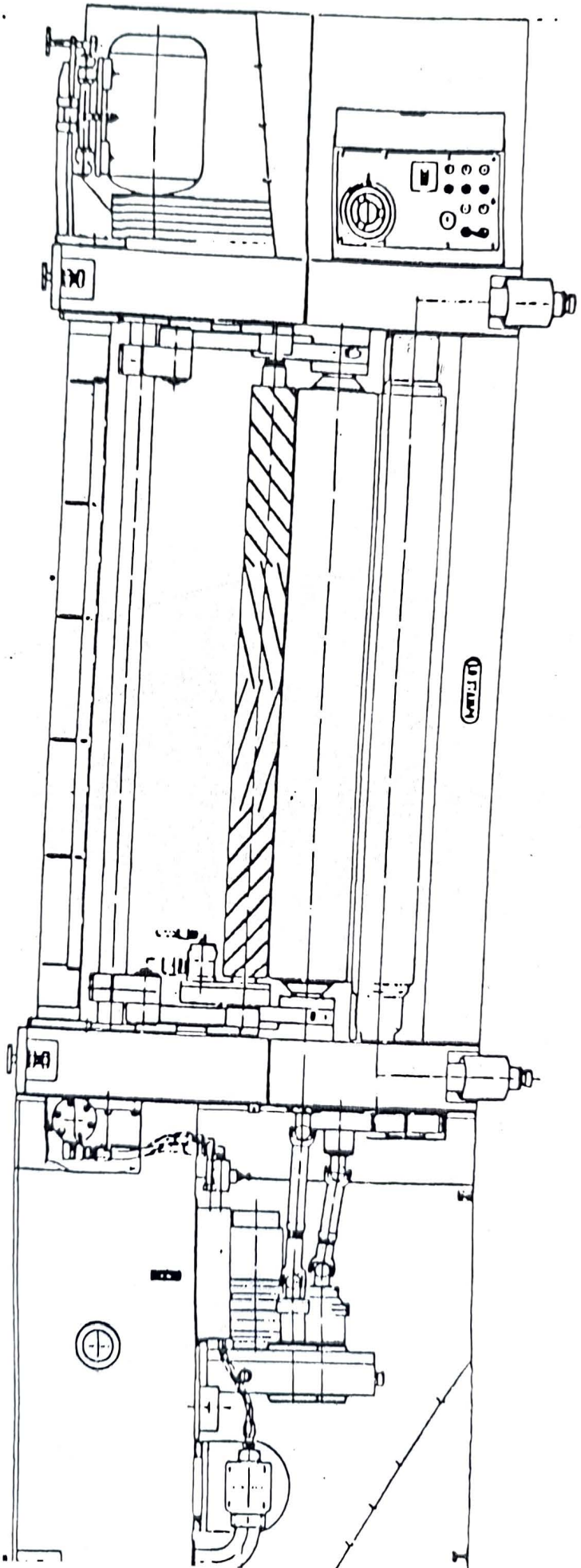


RAS  
210-240-280-320

EDIZIONE 01 - 1989

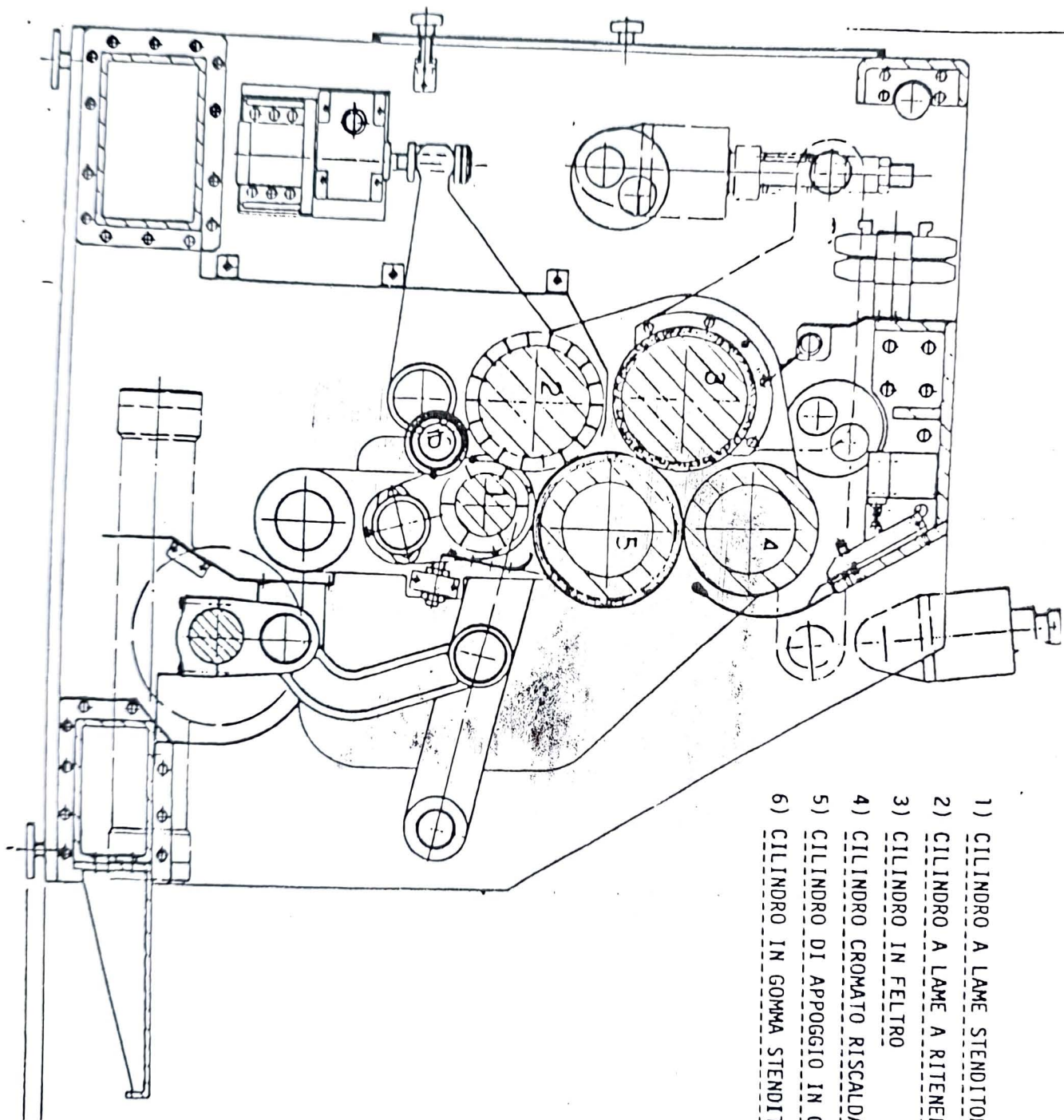
*Handwritten signature or mark*

"VISTA FRONTALE"



MACCHINA IDRAULICA A RITENERE/ASCIUGARE/STIRARE COMBINATA CON FELTRO E RULLO CALDO

pic



- 1) CILINDRO A LAME STENDITORE
- 2) CILINDRO A LAME A RITENERE
- 3) CILINDRO IN FELTRO
- 4) CILINDRO CROMATO RISCALDATO
- 5) CILINDRO DI APPOGGIO IN GOMMA
- 6) CILINDRO IN GOMMA STENDITORE