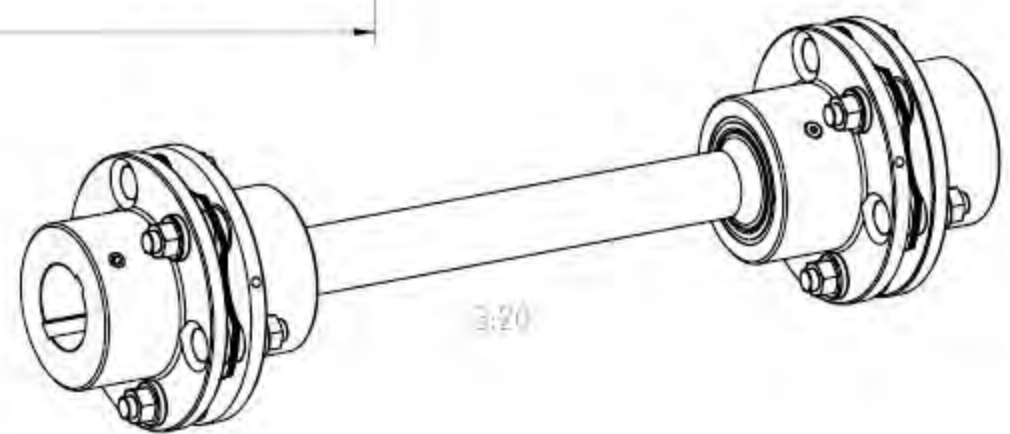
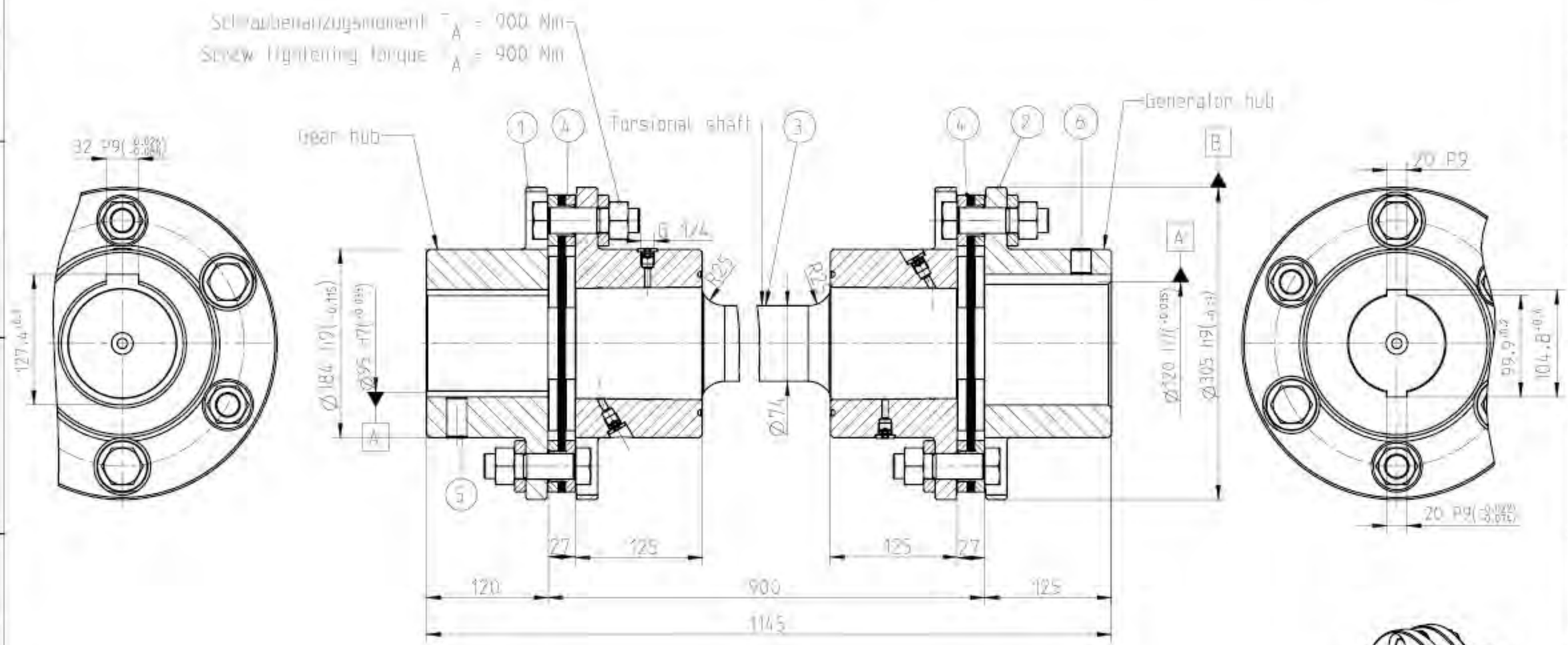


**FLEXIBLE COUPLING**



- Assembly balancing G 2.5 acc. DIN ISO 21940
- Torsional shaft: raw material 30CrNiMo8+QT
- Gear hub: raw material 42CrMo4+QT
- Generator hub: raw material 42CrMo4+QT

Permissible misalignments			Coupling data		Note protection mark acc. to ISO 16016			
Angular (each lamina)	Axial	Radial	Nominal torque $T_{KN}$	13 500 Nm	Scale	1:4	Size	A3
1°	3,5 mm	4,7 mm	Maximum torque $T_{Kmax}$	27 000 Nm	<b>RADEX-N 135</b> <b>NANA 4</b>			
			Torsional stiffness	Nm/rad				
Hubs and spacer part 1, 2 and 3			With approval/inspection acc. to documentation DIN EN 10204 - 2.1		Date	28.03.23	Material	
					Name	CZX	Weight	144.774 kg
					KZ	M	Current number	879919
					Rev.			1





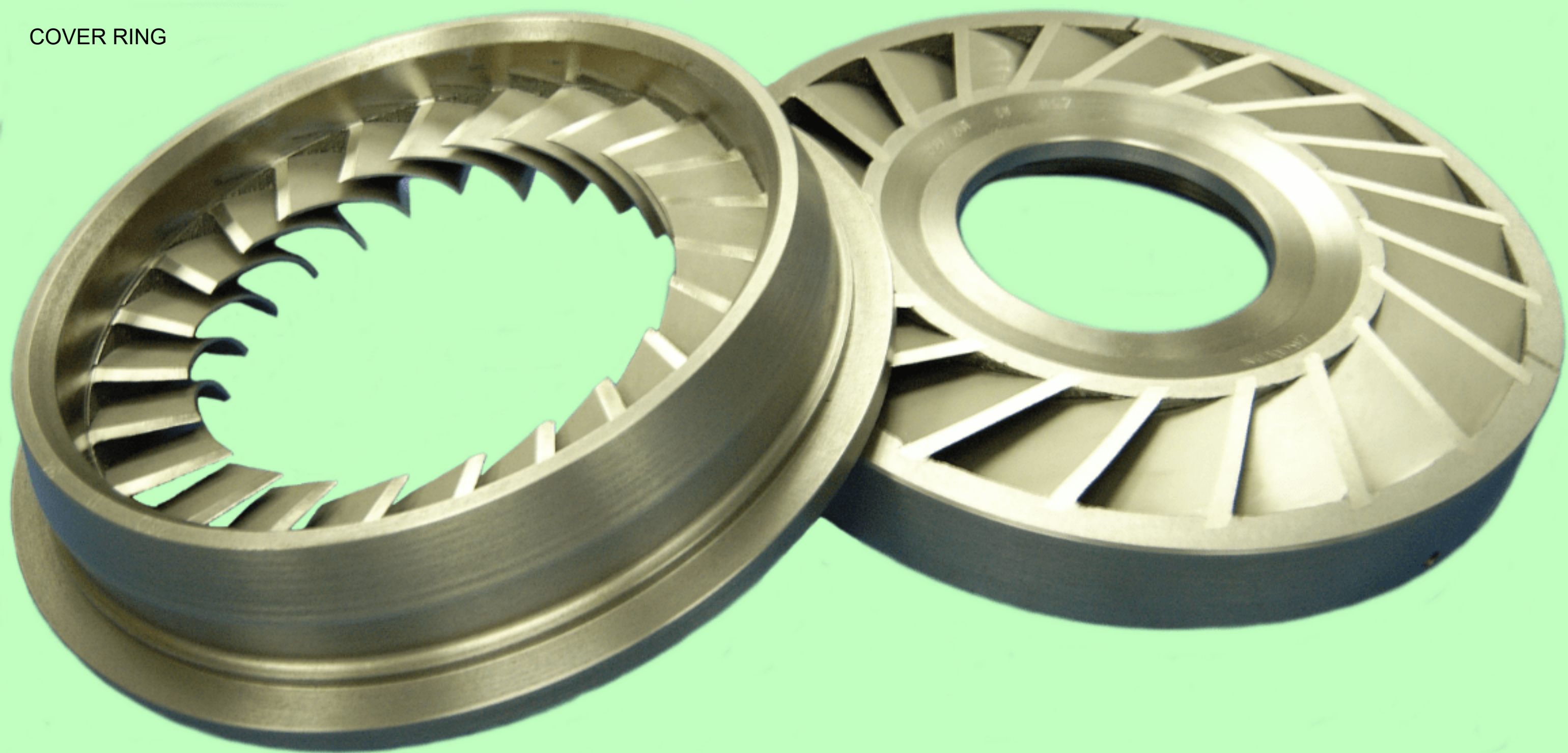
Labyrinth Seal



Turbine Impeller



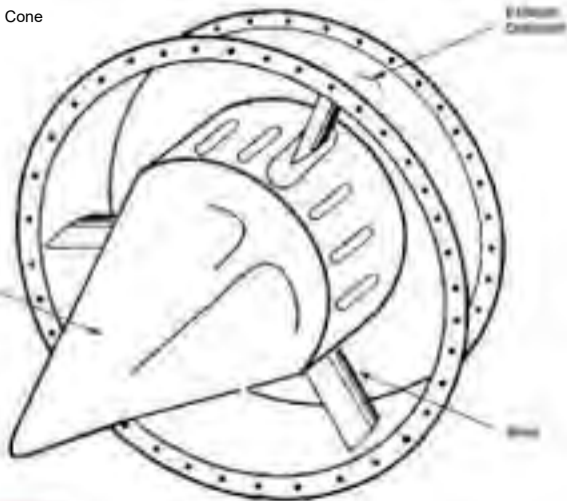
COVER RING



Cylinder Pin



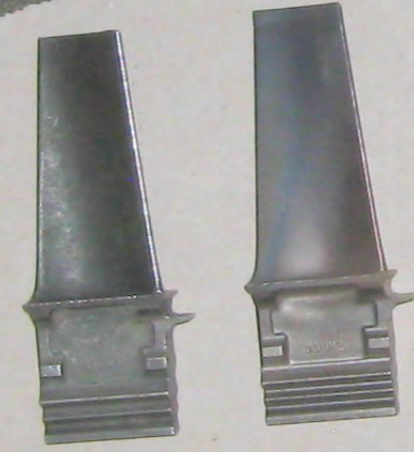
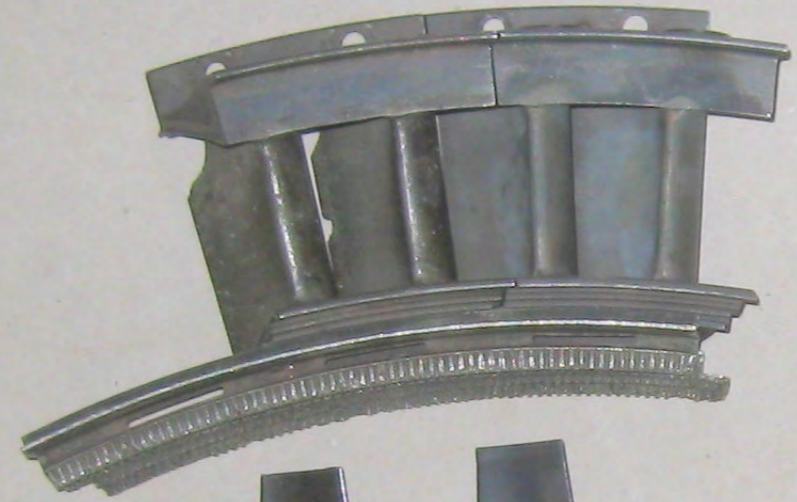
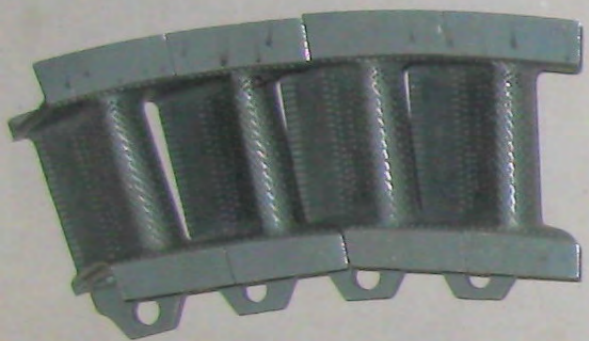
Gas Outlet Cone







Nozzle Blade



Radial Pad



Round Nut



Shaft Sleeve



SHIM

