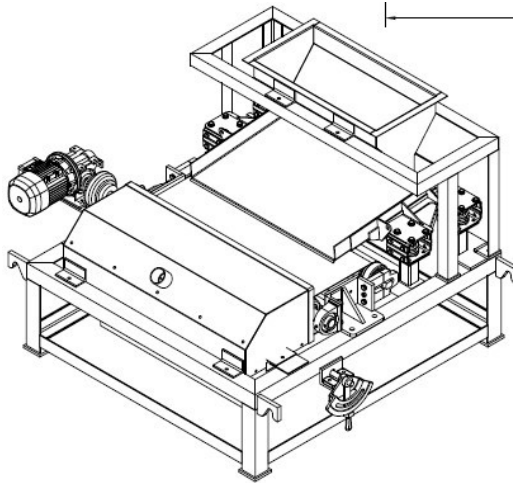




1. APPLICATION DETAILS:

Feed Material	<i>To Be Confirmed</i>
Particle Size (mm)	0.1 to 5mm
Bulk Density	1.7 t/m ³
MOISTURE (%)	Max 1 %
Nature (Free Flowing / Abrasive / Sticky)	Free Flowing
Capacity(TPH)	4 to 5
Purpose	For removal of weakly magnetic iron impurities
Feed Temperature	Ambient (20 to 30 Deg C)

The above information has been used as the basis for our recommendation. If any of this information is not accurate, please advise us immediately so we can revise our recommendation accordingly.



Pic: For Illustration Purpose only



2. Product Features:

Equipment	: Eriez make Rare Earth Roll Separator
Model	: RER 4-40-1
Size	: 4" diameter x 40" wide in single stage
Qty	: 2 Nos
Magnet	: High Power Superior Quality Rare Earth Magnet (NdFeB)

Features:

- High Intensity magnetic roll capable of developing 19,700 to 20,000 G peak gauss on the surface of magnet (actual measurable).
- Drive for each roll with variable speed controller. RE roll speed range between 100 and 280 RPM shall be provided for each roll. There shall be separate Geared Motor drive for each stage. Each Roll drive shall be fitted with a dedicated Variable Frequency Drive (VFD) for regulating the roll speed. The geared motor shall be of Bonfiglioli / MGM / Nord / STM.
- 10 mil thk KEVLAR (Imported from USA, stocked in Chennai works) belt shall be supplied along with the machine. Quantity: 1 Nos. per Machine.
- Fully adjustable product splitter (two-way separation) with graduated position scale designed for maximum visibility and adjustment.
- MS Feed hopper and SS304 discharge hopper shall form part of standard supply.
- Housing shall be of standard MS standard construction. All MS surfaces are abrasive blast cleaned to SA2.5 profile with 1 base coat of anti-corrosive epoxy primer and 2 coats of finish paint.
- The separator with cantilever design for easy changing of belt by single person as it can be quickly replaced.
- There shall be a provision of Air purging below the Belt for clearing any Material sticking to the underside of the Belt. Provision shall be given for connecting Plant Air for this purpose.
- Material Temperature not to exceed 65°C

Feeding System:

- Eriez recommends uniform feed distribution across the entire Roll surface for efficient full capacity operation.
- ERIEZ Unbalanced motor (Make - OLI) Feeder drive with tray will be used for feeding material to the Roll separator from feed hopper. MOC of tray shall be MS body with SS304 liner.

Electrical:

- Suitable for 415 V +/- 5%, 3 Phase, 50 Hz frequency power supply.



Control System:

Separate Local Control Panel (Make – Rittal) with following controls will be supplied along with the machine

- VFD to regulate the RE Roll speed.
- VFD to regulate feeder rate.
- Emergency “On/Off” switch.

Note: It is important to ensure that tramp iron (like nut, bolts washer etc.) does not reach the roll separator as this could possibly damage the belt. To remove the tramp iron material from the feed we are having special equipment, quote will be submitted on request once layout information is provided to us.

3. SCOPE OF SUPPLY:

- Our scope limits to supply of Rare Earth Roll Magnetic Separator as per described in the proposal.
G.A Drawing shall be submitted for approval after receipt of firm PO.

4. EXCLUSIONS

- All civil and structural works.
- Feeding arrangement to Magnetic separator feed hopper and Discharge arrangement (mag and non mag) from magnetic separator discharge not in our scope.
- Interconnecting cables between ERIEZ Control panel and equipment are excluded from our scope, same has to be arranged by buyer based on site requirement.
- Erection and commissioning.
- All other things specifically not mentioned in our proposal.
- Painting considered as per our standard.

The quoted prices are for our standard design housing and chutes, in case any modifications are required, the same shall be done at an extra cost.