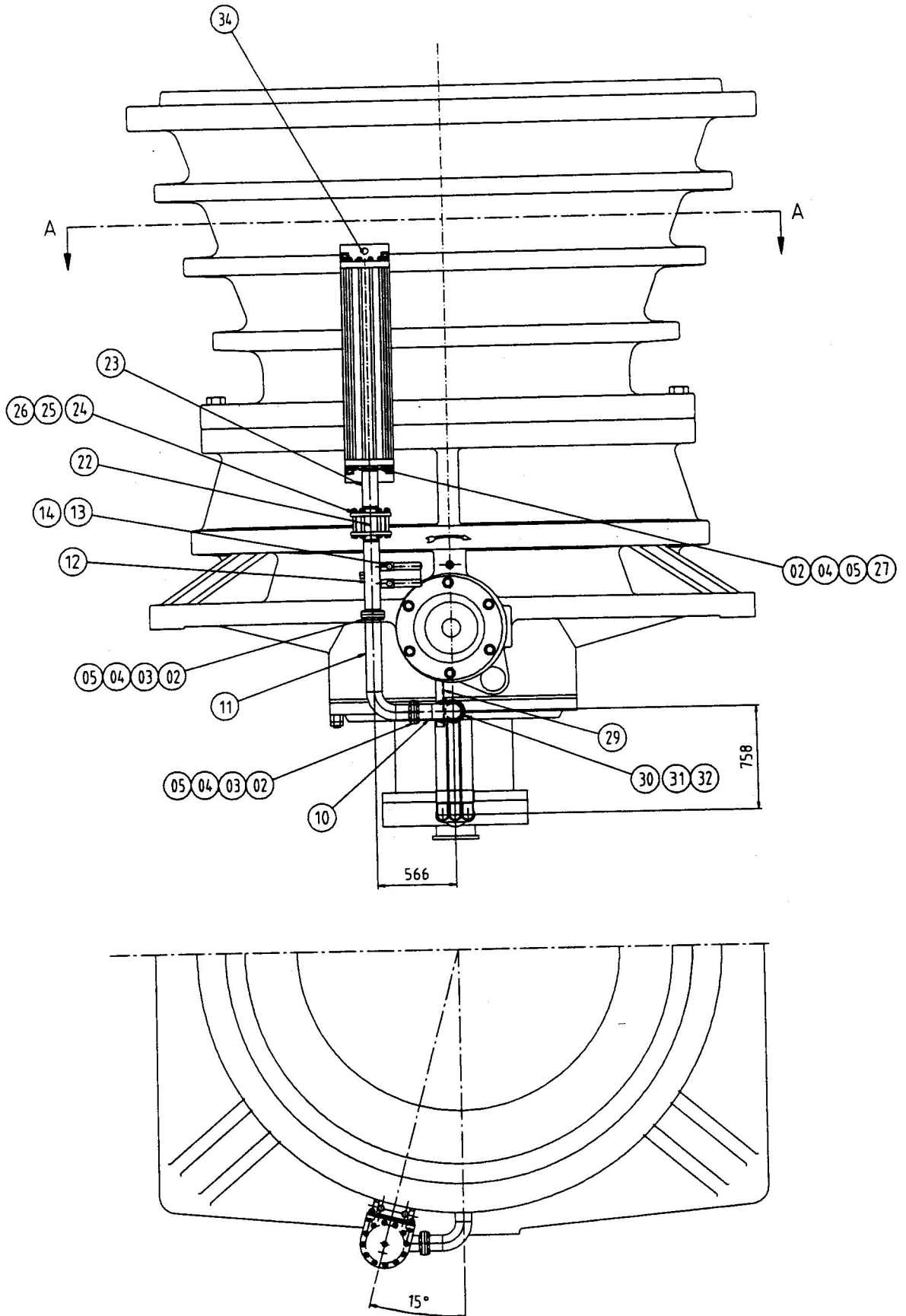


Balance cylinder piping





Svedala Arbrå AB

| Cat. No. | Qty. | Part Number | Description                     | Remarks       |
|----------|------|-------------|---------------------------------|---------------|
| 01       | 1    | 454.0100-00 | Pipe with flange                |               |
| 02       | 5    | 873.0132-00 | O-ring 119,5x3                  |               |
| 03       | 32   | 840.0041-00 | Screw M6S 10x60 8.8 ISO 4014    |               |
| 04       | 32   | 845.0213-00 | Lock nut M19 fzb ISO 7040       |               |
| 05       | 72   | 847.0144-00 | Washer BRB 10,5x22 HB 200       |               |
| 06       | 2    | 442.6176-01 | Distributing pipe               |               |
| 07       | 6    | 873.0390-00 | Sealing ring                    |               |
| 08       | 6    | 900.0659-00 | Adapter G2BxG2B                 |               |
| 09       | 3    | 650.0147-06 | Hydraulic hose SAE R10 R2"x1150 |               |
| 10       | 1    | 454.0086-00 | Pipe with flanges               |               |
| 11       | 1    | 454.0087-00 | Pipe with flanges               |               |
| 12       | 1    | 454.0088-00 | Pipe with flanges               |               |
| 13       | 2    | 902.0251-00 | Valve R3/4 MV340 7,5 Mpa        | See D 989.017 |
| 14       | 2    | 914.0129-00 | Hing lid oiler                  |               |
| 15       | 1    | 442.2676-01 | Body                            |               |
| 16       | 1    | 442.2677-00 | Valve guide                     |               |
| 17       | 1    | 127.0003-29 | Spring 21x3x85                  |               |
| 18       | 1    | 442.2678-00 | Valve                           |               |
| 19       | 1    | 442.2679-01 | Lower valve guide               |               |
| 20       | 3    | 840.1009-00 | Screw U6S 3/8UNCx102 B          |               |
| 21       | 2    | 873.0587-00 | O-ring 169,3x5,7                |               |
| 22       | 1    | 919.0006-00 | Air bleeder 1/4NPT 24050 P/N3   |               |
| 23       | 1    | 454.0089-00 | Pipe with flanges               |               |
| 24       | 6    | 840.0682-00 | Screw M6S 24x200 8.8 ISO 4014   |               |
| 25       | 28   | 847.0124-00 | Washer BRB 25x45 HB 200 SS3576  |               |
| 26       | 14   | 845.0216-00 | Lock nut M24 8 fzb DIN 985      |               |

**Svedala Superior Primary Gyrotory S-54-75 Mk II**

R 223.1013.00 en

**5:8**

Balance cylinder piping

(1.454.0061)

4 (4)

2001-03-02

**Svedala Arbrå AB**

| Cat. No. | Qty. | Part Number | Description                  | Remarks              |
|----------|------|-------------|------------------------------|----------------------|
| 27       | 8    | 840.0039-00 | Screw M6S 10x45 8.8 ISO 4014 |                      |
| 28       | 1    | 454.0080-00 | Balance cylinder             | See R 223.1014 (5:9) |
| 29       | 1    | 454.0090-01 | Pipe clamp bracket           |                      |
| 30       | 1    | 900.2324-00 | Clamp HRRBS 9L 114,3 PP/ST   |                      |
| 31       | 2    | 847.0016-00 | Washer BRB 17x30 HB200       |                      |
| 32       | 2    | 845.0215-00 | Lock nut M16 8 fzb ISO 7040  |                      |
| 33       | 8    | 840.0670-00 | Screw M6S 24x80 8.8 ISO 4017 |                      |
| 34       | 1    | 454.0083-00 | Support                      |                      |
| 35       | 1    | 454.0081-01 | Bracket                      |                      |
| 36       | 1    | 454.0081-02 | Bracket                      |                      |