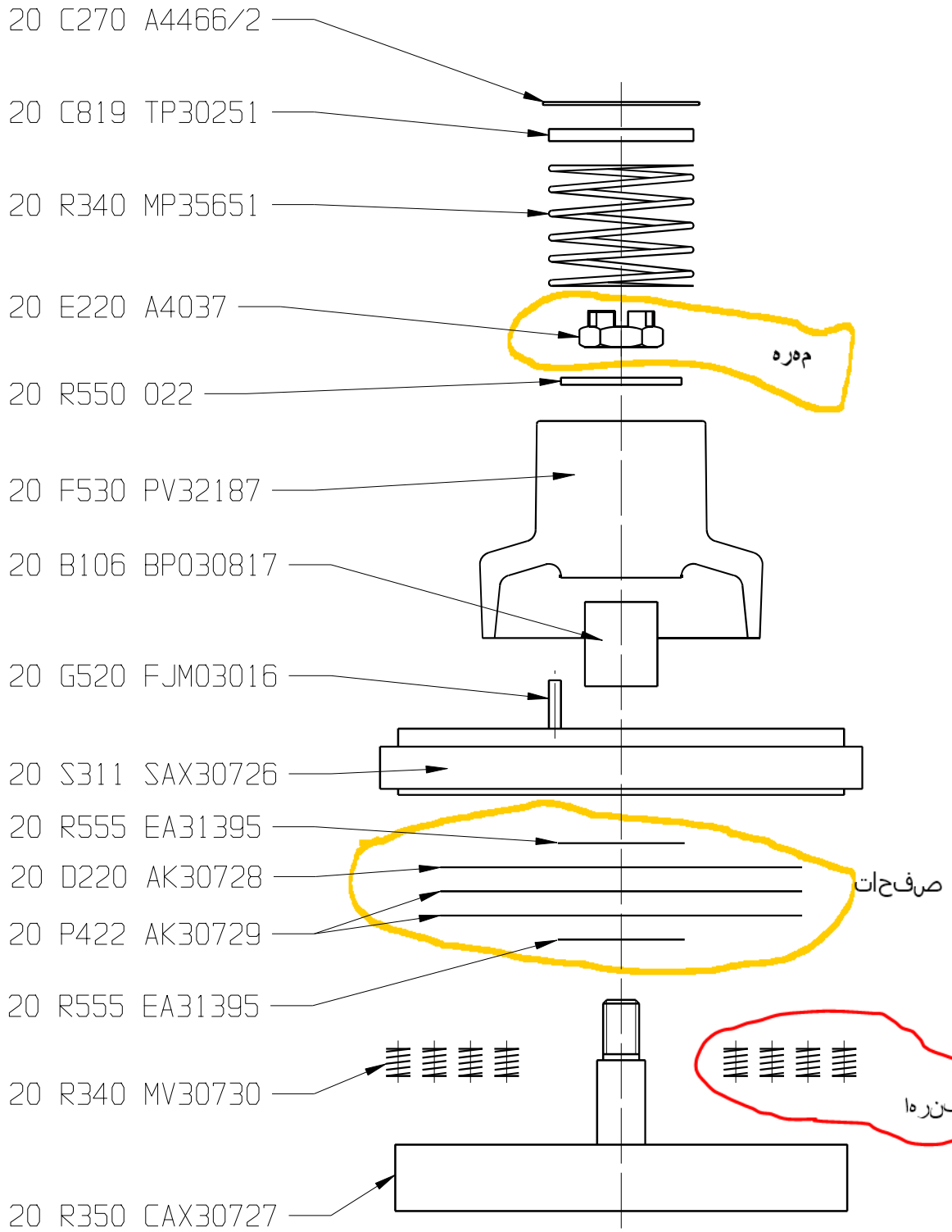


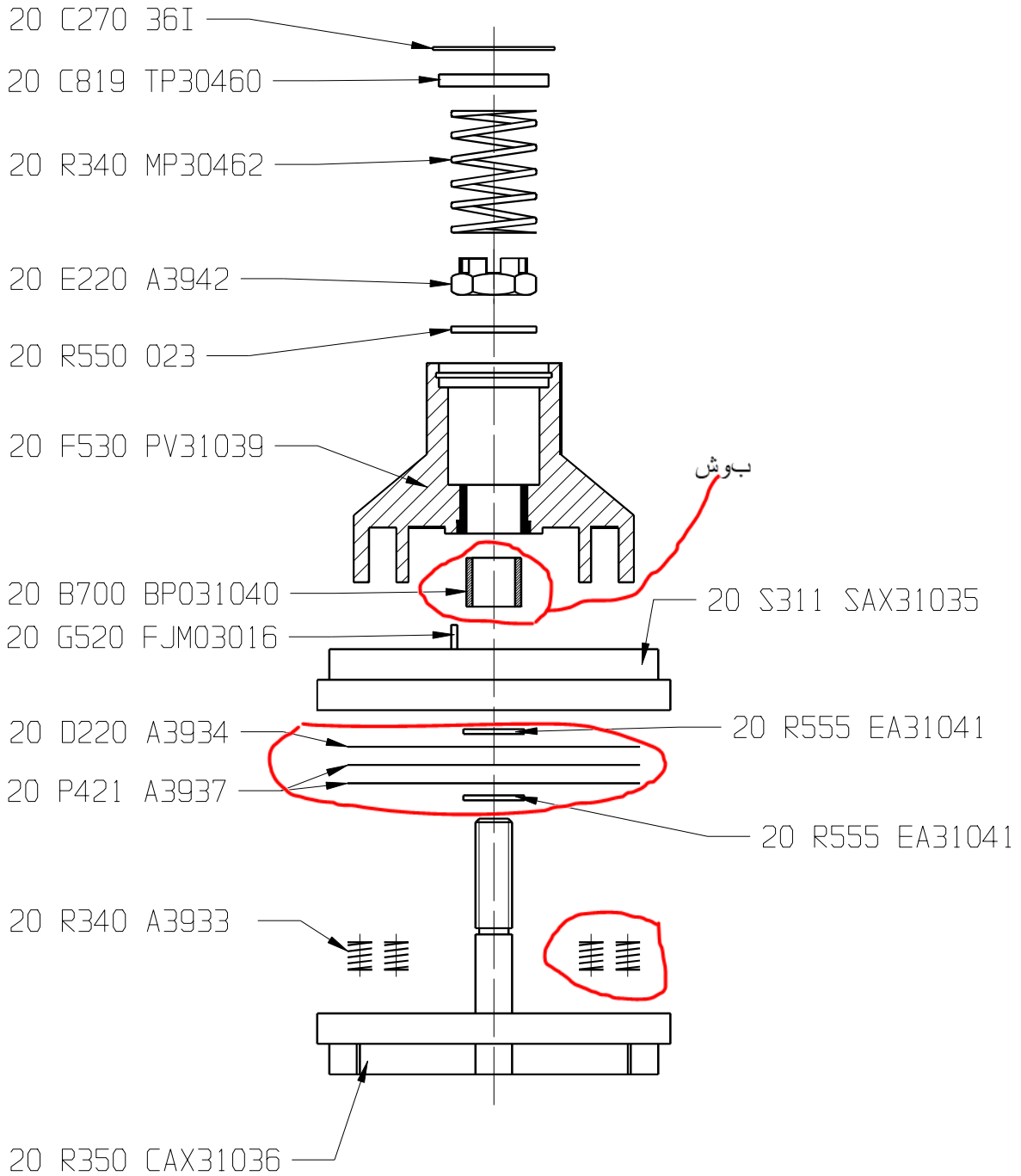
20 S471 A7480WDE



CUSTOMERS: 011092
MACHINE: 54FS-C0092
SERIAL NR: -

Item Rep.	Goods, Artikel Composant	Description Libellé	Beschreibung	Qty
A	20S471A4040WE	INLET VALVE - stainless steel SOUPAPE ASPIRATION	ANSAUGVENTIL	1
B	20C27036I	CIRCLIPS - steel CIRCLIPS	CIRCLIPS	1
C	20C819TP30460	COVER - stainless steel COUVERCLE M.A.V. SOUPAPE 95DEA6	DECKEL	1
D	20R340MP30462	SPRING - stainless steel RESSORT	FEDER	1
E	20E220A3942	NUT - stainless steel ECROU	MUTTER	1
F	20R550023	WASHER - rubber RONDELLE	SCHEIBE	1
G	20F530PV31039	SUCTION VALVE FORK FOURCHE SOUPAPE ASPIRATION	GABEL	1
H	20B700BPO31040	GUIDE - steel BAGUE DE GUIDANCE	FÜHRER	1
I	20G520FJM03016	PIN - steel GOUVILLE	STIFT	2
J	20S311SAX31035	SUCTION SEAT - stainless steel SIEGE INOX	ROSTFREIER SITZ	1
K	20D220A3934	DISC - stainless steel DISQUE	SCHEIBE	1
L	20P421A3937	DAMPENING PLATE - stainless steel PLAQUE AMORTISSEUSE	VENTILDÄMPFERPLATTE	2
M	20R340A3933	SPRING - steel RESSORT	FEDER	4
N	20R350CAX31036	SUCTION GUARD - stainless steel RETIENT	ANSCHLAG	1
O	20R555EA31041	SPRING - rubber RONDELLE DE LEVEE	SCHEIBE	2

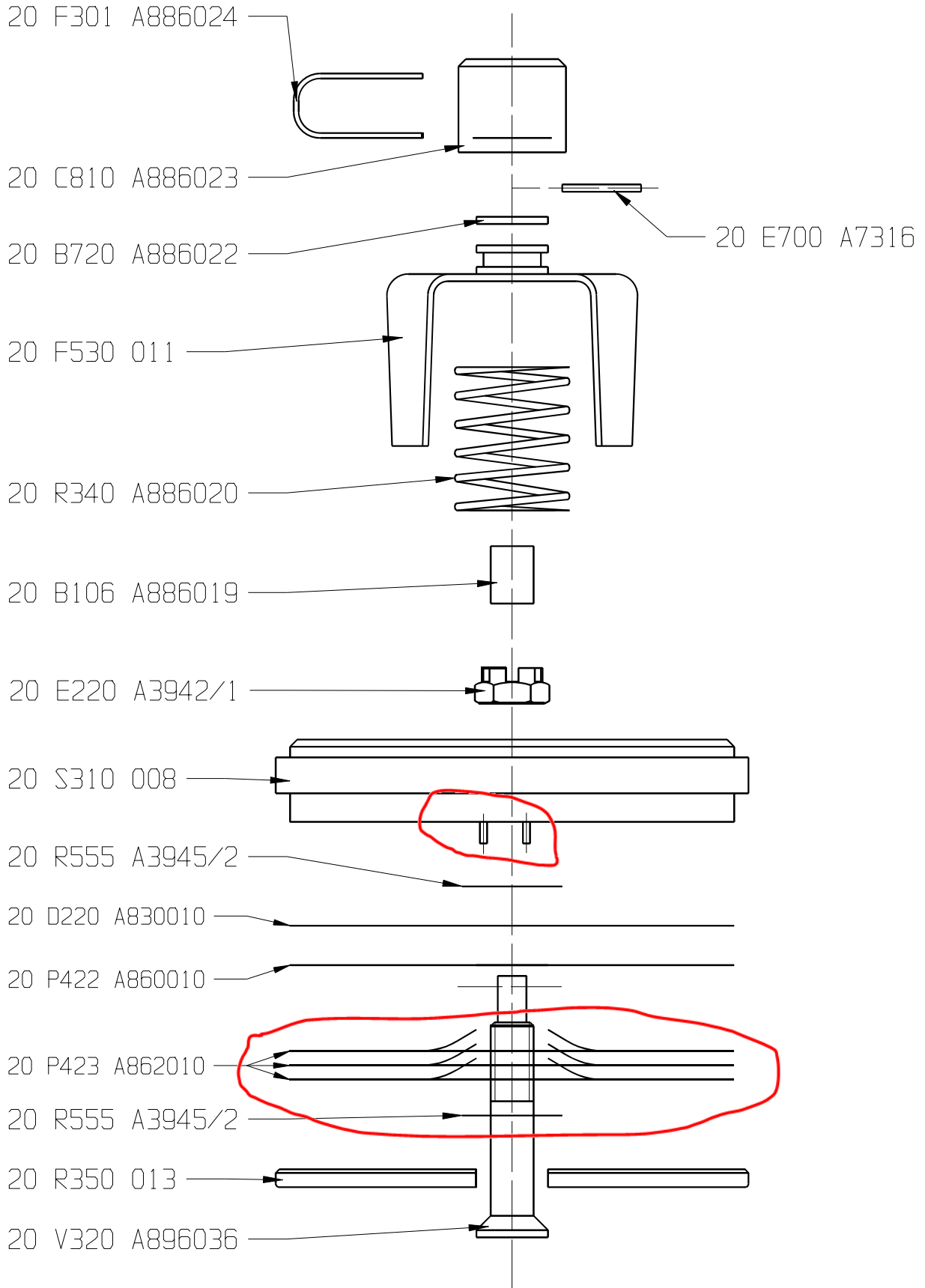
20 S471 A4040WE



CUSTOMERS: 011092
 MACHINE: 54FS-C0092
 SERIAL NR: -

Item Rep.	Goods, Artikel Composant	Description Libellé	Beschreibung	Qty
A	20S471A4842I	SUCTION VALVE - stainless steel SOUPAPE D'ASPIRATION	ANSAUGVENTIL	2
B	20F301A886024	SAFETY WIRE - stainless steel FIL DE SECURITE	SICHERUNGSDRAHT	1
C	20C810A886023	RELEASER COVER COUVERCLE DU DECLENCHEUR	AUSLÖSERDECKEL	1
D	20E700A7316	PIN - stainless steel GOUILLE	STIFT	1
E	20B720A886022	UNLOAD STOP- stainless steel BUTEE	ANSCHLAG	1
F	20F530011	FORK - stainless steel FOURCHE	GABEL	1
G	20R340A886020	SPRING - steel RESSORT	FEDER	1
H	20B106A886019	GUIDE RING - plastic BAGUE DE GUIDAGE	FÜHRUNGSRING	1
I	20E220A3942/1	SAFETY NUT - stainless steel ECROU DE SURETE	SICHERUNGSMUTTER	1
J	20S310008	SEAT SIEGE ASPIRATION 105R1	SITZ	1
K	20R555A3945/2	WASHER - rubber RONDELLE DE LEVEE	HEBERING	1
L	20D220A830010	VALVE DISC - stainless steel DISQUE	SCHEIBE	1
M	20P422A860010	DAMPENING PLATE PLAQUE AMORTISSEUSE	VENTILDÄMPFERPLATTE	1
N	20P423A862010	SPRING PLATE - stainless steel PLAQUE RESSORT	FEDERPLATTE	3
O	20R555A3945/2	WASHER - rubber RONDELLE DE LEVEE	HEBERING	1
P	20R350013	SUCTION VALVE GUARD RETIENT	ANSCHLAG	1
Q	20V320A896036	SCREW VIS	SCHRAUBE	1

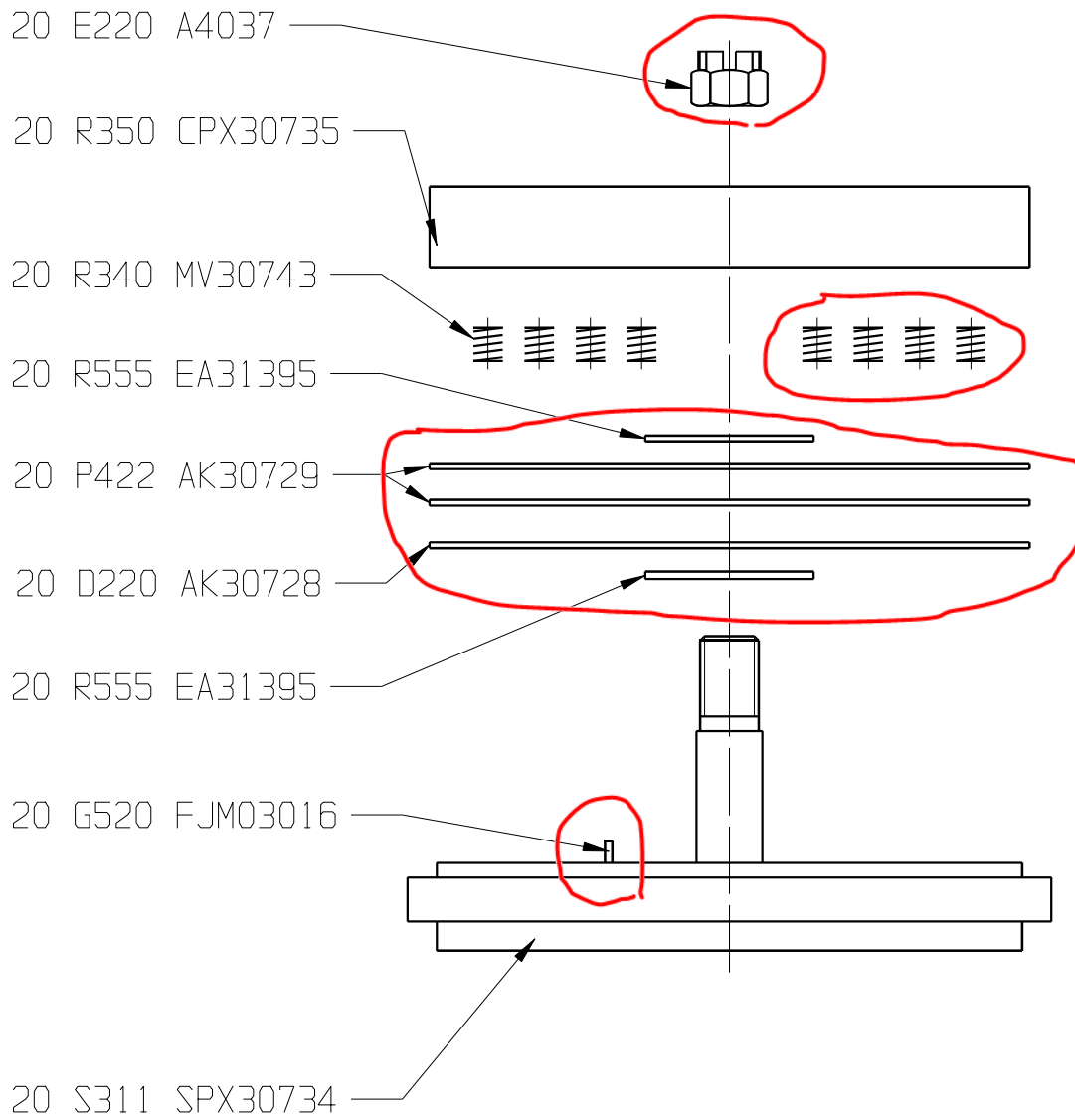
20 S471 A4842I



CUSTOMERS: 011092
MACHINE: 54FS-C0092
SERIAL NR: -

Item Rep.	Goods, Artikel Composant	Description Libellé	Beschreibung	Qty
A	20S473A7479WDE	DISCHARGE VALVE - stainless steel SOUPAPE DE REFOULEMENT	DRUCKVENTIL	4
B	20E220A4037	NUT - stainless steel ECROU	MUTTER	1
C	20R350CPX30735	DISCHARGE GUARD RETIENT	ANSCHLAG	1
D	20R340MV30743	SPRING - steel RESSORT	FEDER	8
E	20P422AK30729	DAMPENING PLATE - stainless steel PLAQUE AMORTISSEUSE	VENTILDÄMPFERPLATTE	2
F	20D220AK30728	VALVE DISC - stainless steel DISQUE DE SOUPAPE	VENTILSCHEIBE	1
G	20R555EA31395	WASHER - rubber RONDELLE DE LEVEE	SCHEIBE	2
H	20G520FJM03016	PIN - steel GOUVILLE	STIFT	1
I	20S311SPX30734	DISCHARGE VALVE SEAT SIEGE DE SOUPAPE REFOULEMENT	DRUCKVENTIL SITZ	1

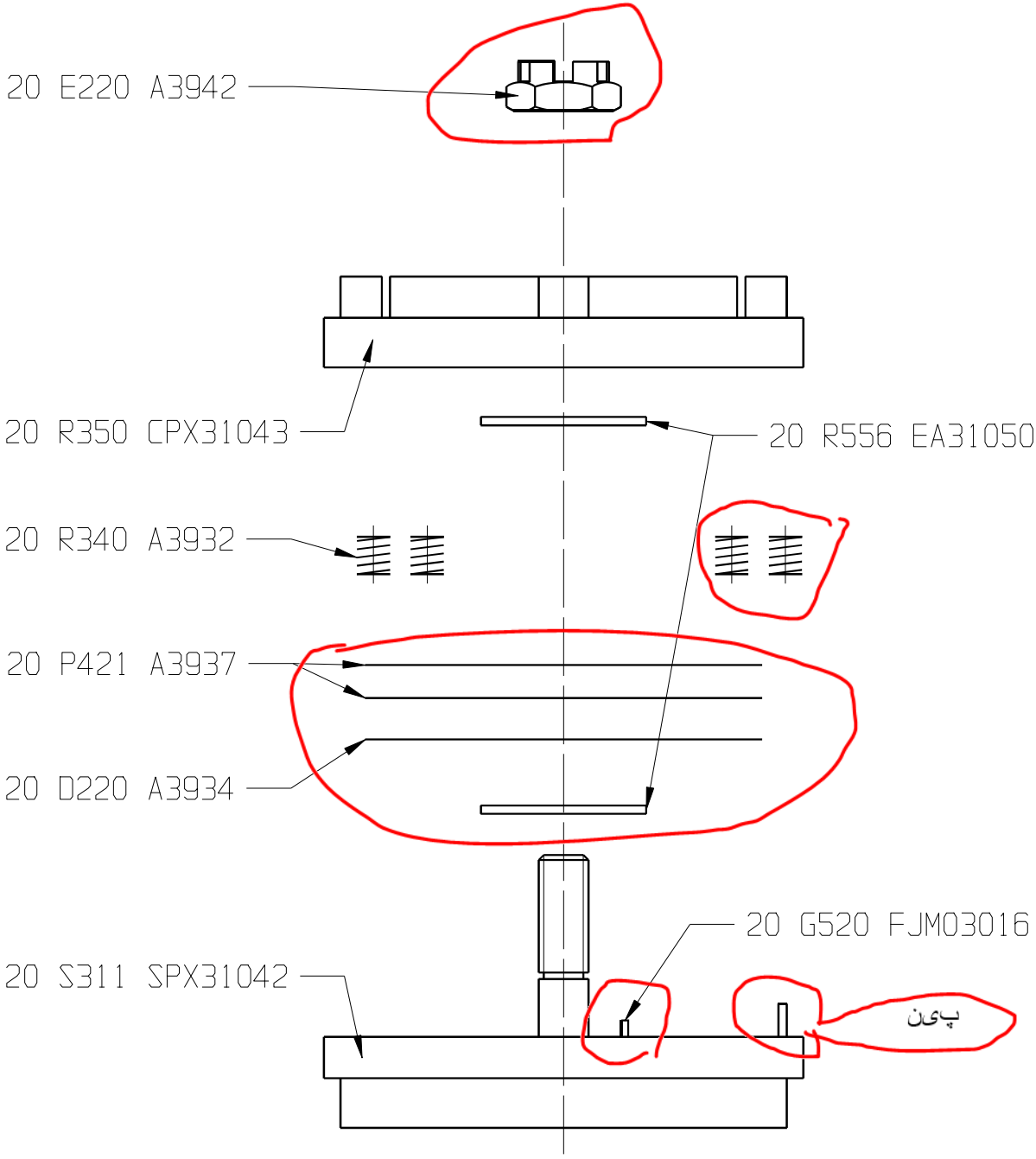
20 S473 A7479WDE



CUSTOMERS: 011092
MACHINE: 54FS-C0092
SERIAL NR: -

Item Rep.	Goods, Artikel Composant	Description Libellé	Beschreibung	Qty
A	20S473A4041WE	OUTLET VALVE - stainless steel SOUPAPE REFOULEMENT	AUSTRITTVENTIL	1
B	20E220A3942	NUT - stainless steel ECROU	MUTTER	1
C	20R350CPX31043	DISCHARGE GUARD - stainless steel RETIENT INOX	ANSCHLAG	1
D	20R340A3932	DISCH VALVE SPRING-stainless steel RESSORT (SOUPAPE REFOULEMENT)	FEDER	4
E	20P421A3937	DAMPENING PLATE - stainless steel PLAQUE AMORTISSEUSE	VENTILDÄMPFERPLATTE	2
F	20D220A3934	DISC - stainless steel DISQUE	SCHEIBE	1
G	20S311SPX31042	DISCHARGE PLATE - stainless steel SIEGE INOX	AUSLASSVENTILSITZ	1
H	20R556EA31050	WASHER - rubber RONDELLE DE LEVEE	HEBERING	2
I	20G520FJM03016	PIN - steel GOUPILLE	STIFT	2

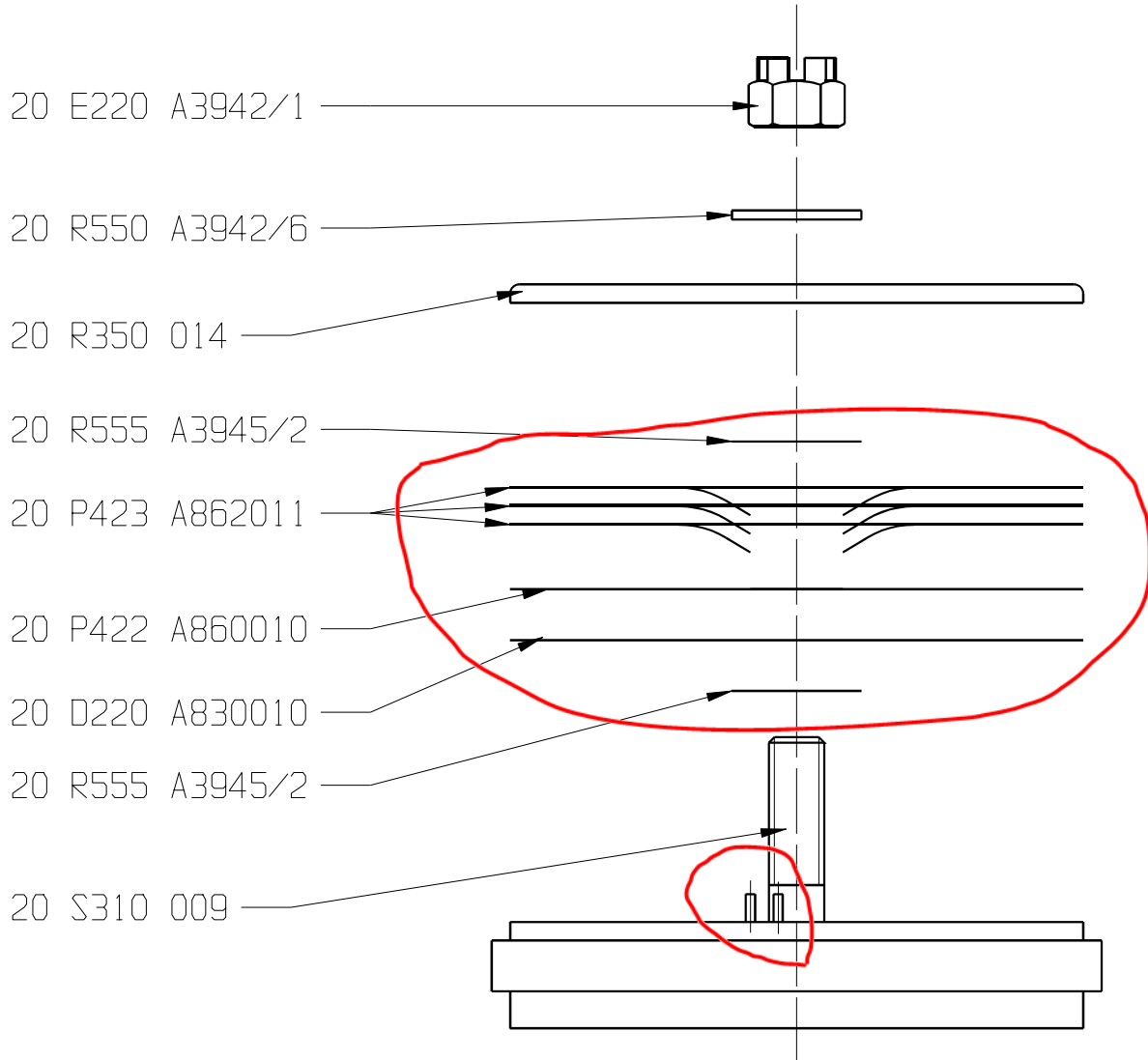
20 S473 A4041WE



CUSTOMERS: 011092
MACHINE: 54FS-C0092
SERIAL NR: -

Item Rep.	Goods, Artikel Composant	Description Libellé	Beschreibung	Qty
A	20S473A4843I	DISCHARGE VALVE - stainless steel SOUPAPE REFOULEMENT	DRUCKVENTIL	2
B	20E220A3942/1	SAFETY NUT - stainless steel ECROU DE SURETE	SICHERUNGSMUTTER	1
C	20R550A3942/6	WASHER RONDELLE M12 DIN 125B INOX	SCHEIBE	1
D	20R350014	GUARD DISCHARGE VALVE RETIENT REFOULEMENT	ANSCHLAG	1
E	20R555A3945/2	WASHER - rubber RONDELLE DE LEVEE	HEBERING	2
F	20P423A862011	SPRING PLATE - stainless steel PLAQUE RESSORT	FEDERPLATTE	3
G	20P422A860010	DAMPENING PLATE PLAQUE AMORTISSEUSE	VENTILDÄMPFERPLATTE	1
H	20D220A830010	VALVE DISC - stainless steel DISQUE	SCHEIBE	1
I	20S310009	SEAT DISCHARGE VALVE SIEGE REFOULEMENT	SITZ	1

20 S473 A4843I



- 20 M200 A419/1
- 20 G140 ...
- 20 P530 ...
- 20J309DN50x3PTFE
- 20B601044

تاسمه

20 C791...

- 20 P570 ...
- 20 M600 ...

▽ △ 20 F421 10809-3410

20 F421 109-0105

20 F421 109-05

20 F421 109-11

21 S422 010...

20 V152 008

20 F421 109-02

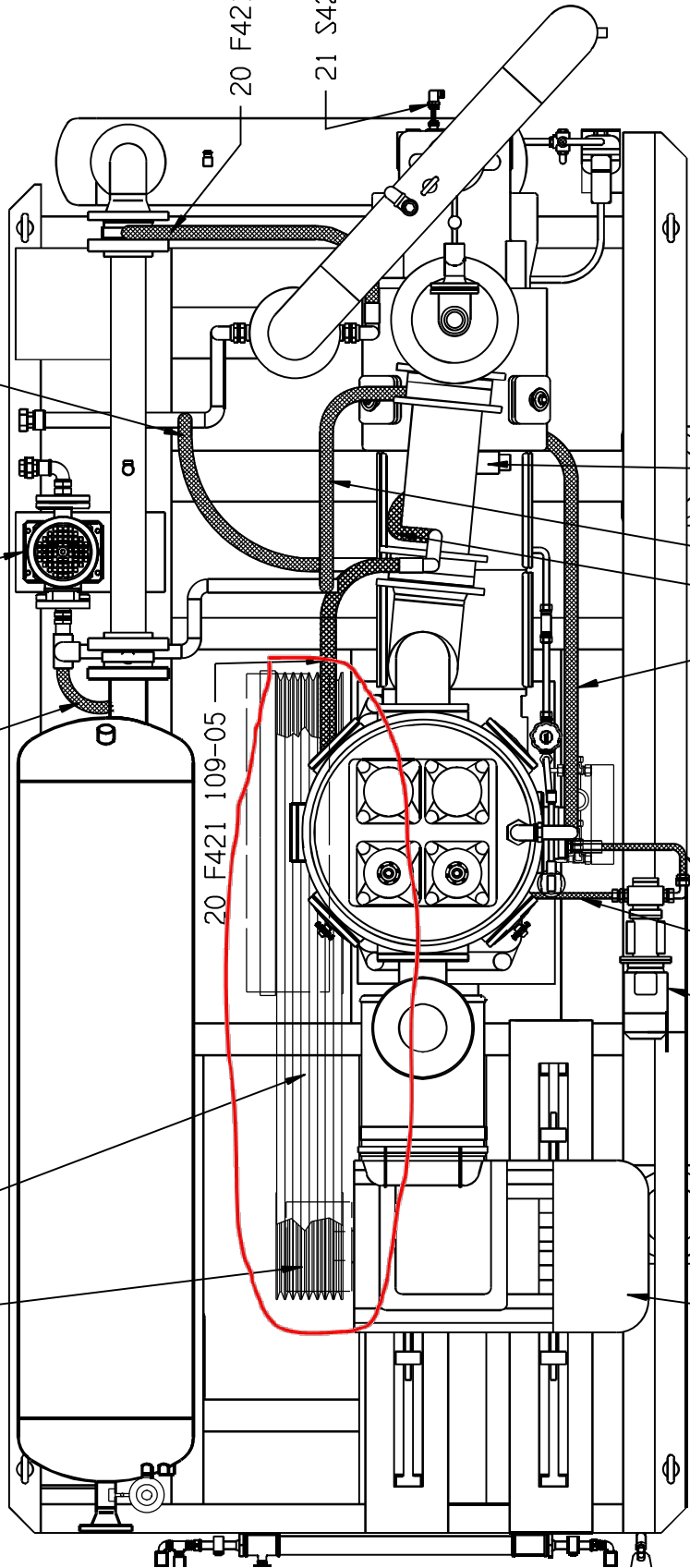
20 F421 109-04

20 F421 109-06

20 P530 BMF25

20 K100 PHD...

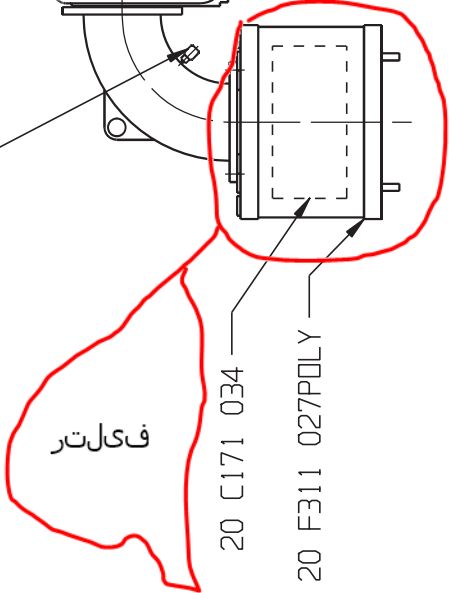
21 M562 ...



CUSTOMERS: 011092
MACHINE: 54FS-C0092
SERIAL NR: -

Item Rep.	Goods, Artikel Composant	Description Libellé		Qty
A	20F311027POLY	INLET FILTER - steel FILTRE PICLON	SOLBERG FILTER L0793-FS-05 (CE 46)	1
A1	20D160A837013	GAUGE INDICATEUR DE COLMATAGE	ANZEIGER	1
B	20C171034	FILTER CARTRIDGE - alu - paper CARTOUCHE FILTRE	FILTERPATRONE	1
C	20S621003	FRAME ANTI-VIBRATION MOUNTING. SUSPENSION ELASTIQUE	ELASTISCHE SCHWINGFÜSSE (voir ...003SH)	4
D	21S422010LG075	SENSOR -copper-stainless steel SONDE	Temperaturfühler PT1000 Ohms 0 bis 250°C 1/2"x75	1

20 D160 A837013



20 C171 034

20 F311 027POLY

21 S422 014

21 S422 017

21 S422 010LG075

20 S621 003

