



Overall powder solution

粉体解决方案

PRODUCT CATALOGUE

产品目录

Sales Network



■ **Grinding Machine** 粉碎机

BSC Series Coarse Crusher	2
BSZ Series Pin Mill	3
BSDF Advanced Hammer Grinding Set	5
BS Series Small Hammer Mill	7
BSF series High-efficient Mill	8
BSU Series Universal Crusher	9
BSG Series Self-absorb Grinding Set (Split type)	10
BS Series Spice Pulverizer Set	11
BSP Series Ultra-fine Pulverizer Set	12
BS Series Cryogenic Grinder	14

■ **Mixing Machine** 混合机

BSR Series Ribbon Mixer	16
BSL Series Double Shaft Paddle Mixer	17
BST Series Trough Shaped Mixer	18
BSV Series V Shape Mixer	18
BSW Series W shape Mixer	19
BSTD Series Three-dimensional Swing Mixer	19
BSD Series Double Auger-shaped Mixer	20
BSS Series Square Cone Mixer	20

■ Overall Powder Solution For Grinding & Mixing System

BS Series Screw Feeder	23
QVC Series Pneumatic Vacuum Feeding Machine	23
ZKS Vacuum Feeding Machine	24
BSST Series High Efficient Sifting Machine	24
BSRS Series Rotary Sifter	25
BSDF Series Dust-free Feeding Hopper	25
BSO Electric Drying Oven	26
HLSG Series Wet Type Granulator	27
YK Series Swing Granulator	28
BSX Series Rotary Granulator	29

■ Powder Packing And Filling Machine

BSPM Series Semi-automatic Filling Machine	29
BSPM Series Fully Automatic Packing Machine	30
BSPM-F Small Bag Fully Automatic Packing Machine	31
BSPM-2 Big Bag Semi-automatic Packing Machine	32
BSPM-B1 Semi-automatic Fine Powder Packing Machine	33
BSKG-200 Fully Automatic Bag Packing Machine	34
BSGP-2 5-25kg Granule Packing Machine	35

■ BSC Series Coarse Crusher 粗碎机



Type A



Type B

Main Usage:

This machines is applied as supporting equipment before fine crushing process in lines of pharmaceutical, chemical and food stuff etc. It has a good effect for most material. It is suitable for making granules or be used as a primary mill.

Working Method:

This machine is of horizontal crushing structure. The material is fed into the crushing chamber through a hopper, crushed by cutting and impact of both fixed and rotating knives, and flows into the exit automatically under the effect rotating centrifugal force. Designed according to GMP standard and wholly made of stainless steel, this machine has simple structure, convenient cleaning and low noise, being the ideal equipment for coarse crushing.



knife of coarse crusher

Technical Data:

Model	BSC-200	BSC-300	BSC-400	BSC-600
Capacity(kg/h)	80-300	100-800	200-1000	500-1500
Size of input granules (mm)	<100	<100	<100	<100
Crushing Fineness(mm)	0.5-20	0.5-20	0.5-20	0.5-20
Speed of principal axis(rpm)	960	960	960	960
Motor power(KW)	3	5.5	7.5	11
Overall Size(L*W*H) (mm)(Type B)	900*600*1140	900*700*1440	900*800*1440	1000*900*1440
Weight(Kg)	200	300	380	500

■ BSZ Series Pin Mill 针棒式粉碎机



Production:

Specialized in milling for various fruit, spices, walnuts, coffee beans, cocoa beans, peanuts, rice and other food and chemical raw material.

Introduction:

Agricultural products of oil and fat and special milling machine of chemical raw material import foreign technology, developing constantly through many years of practice. This product conforms to the standard of food hygiene and has easy operation and low noise, it is useful for enterprises to process various food and chemical materials.



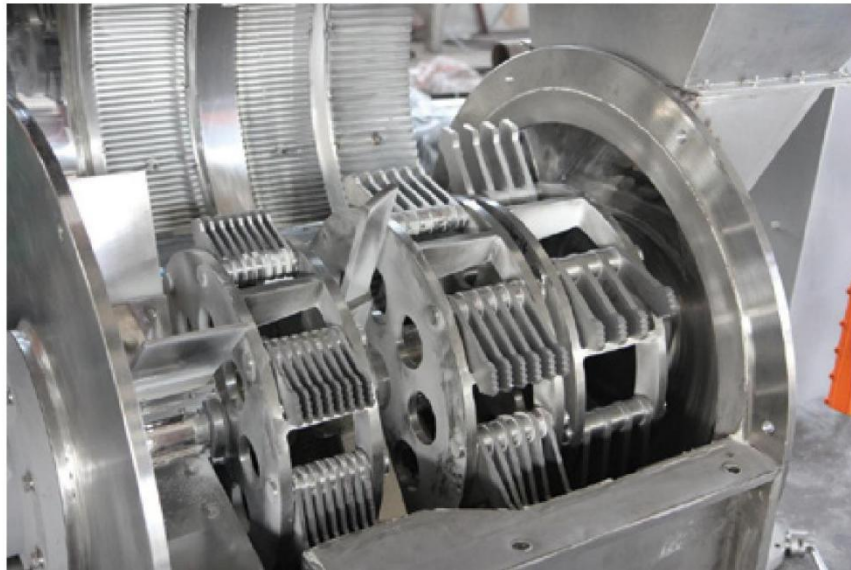
Principle:

Bidirectional pair wheels adopt the way of reverse rotation of front and back grinding wheels, thus this way improves the crushing effect. Double discs install the needle cylinders whose diameters are different, every part arrays needles and bars through the technology of three dimensional simulation, designing the layout rationally and thus it can control the materials to achieve the effective split effect in the gap of needle bar efficaciously. Needles and bars can adopt the shape of hexagonal、square、wolf teeth and so on according to crushing materials. The shape of wolf teeth is all called corn cob rollermill, and this machine has the special effect for the engineering plastic with high melting point to flour at room temperature. Needle and bar mill adopt the way of quantitative feeding of screw, controlling the even motion of materials in the inward of millstone. The ways of discharge are output in the natural state and discharge of negative pressure method. This machine does not have mesh screen in the chamber of grinding wheel, and it adjusts the fineness of crocus through the wire-speed of mill wheel, it can also classify materials through external grading method.

Technical Data:

Model	BSZ-350	BSZ-450	BSZ-550
Capacity (kg/h)	60-200	150-500	230-700
Feed size (mm)	< 15	< 15	< 15
Output size (mesh)	40~1000	40~1000	40~1000
cavity disc crush motor(KW)	11	18.5	22
door disc crush motor (KW)	15	22	30
feed screw motor (KW)	0.37	0.55	0.75
Speed (rpm)	12000	9600	8400

■ BSDF Advanced Hammer Grinding Set 高级锤式粉碎机



Introduction:

BSDF is our latest advanced hammer mill set. It combines coarse crusher, middle fine milling fine milling area(3 milling areas)together. Material will be milled three times at the same time.

Work Method:

The first crushing area can crush hard material;
The second milling area can grinding material with fiber or oil, like herbs, spices, roots
The third milling area is for fine powder milling, speed of it can be changed to change powder particle size.

■ BS Series Small Hammer Mill 小锤粉碎机



Main Usage:

This machine is widely applied in industries of medical, chemical, foodstuff etc.

Specialty:

This machine features simple structure, easy installation, stable running, convenient moving, low noise, high grinding efficiency etc.

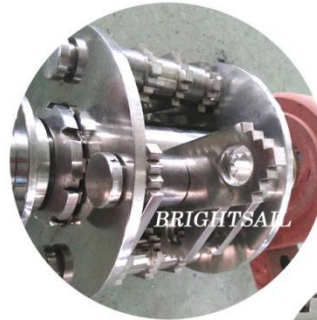
Working Method:

Target material is smashed by the cutting and grinding of high speed knives. Knife of type can be selected according to different material and size of granules

Technical Data:

Model	BS-180	BS-250	BS-300	BS-350
Feed size (mm)	< 10 (granule) < 15*40*2 (leaf)	< 10 (granule) < 15*40*2 (leaf)	< 10 (granule) < 15*40*2 (leaf)	< 10 (granule) < 15*40*2 (leaf)
Grind fineness (mesh)	10-120	10-120	10-120	10-120
Capacity(kg/hr)	3-50	10-100	20-200	30-300
Grind chamber diameter (mm)	200	270	330	380
Rotor speed (rpm)	5900/8600	4200/6200	2600~5100	2200~4400
Motor (kw)	2.2	5.5	7.5	11
Overall size (mm)	840*470*1020	930*600*1200	1000*650*1500	1150*700*1600
Weight(kg)	112	210	296	430

■ **BSF Series High-efficient Mill** 高效粉碎机



Movable knives



Stationary cutter

Main Usage:

This machine is widely applied in industries of medical, chemical, foodstuff etc.

Specialty:

This machine features simple structure, easy installation, stable running, convenient moving, low noise, high grinding efficiency etc.

Working method:

Target material is smashed by the cutting and grinding of high speed knives. Knife of type can be selected according to different material and size of granules.

Technical data:

Model	BSF-8	BSF-16	BSF-32
Capacity (kg/h)	10-100	50-300	100-500
Fineness of finished products (mesh)	12-120	12-120	12-120
Power (KW)	3	7.5	11
Speed change (RPM)	2350-4260	1000-2400-4400	1000-2400-4400
Overall size (L*W*H)(mm)	1050*600*1600	1100*860*1600	1280*950*1600
Weight(kg)	150	250	320

■ BSU Series Universal Crusher 万能粉碎机



Vertical type



Platen type


 Box type with
dust removal system


Main Usage:

This machine is widely applied in industries of medical, chemical, foodstuff etc.

Specialty:

It makes use of the high-speed relative movement of the movable fluted disc and the fixed fluted disc to crush the materials through the comprehensive effect of striking and friction of the fluted disc as well as the mutual striking of the materials. Since it features a simple structure, firm and stable operation and good crushing effect, the crushed materials can be discharged directly from the grinding chamber of the host machine and the desired granule size can be obtained by installing screens with different apertures. Besides, the whole machine is made of stainless steel. The inner surface of the enclosure becomes smooth through processing, thus changing the powder residual phenomenon due to the coarse inner surface of the previous models. As a result, the production of medicine, food and chemical products can better conform to the state standard and the GMP requirements.

Technical Data:

Model	BSU-20	BSU-30	BSU-40	BSU-60
Capacity(kg/h)	20-150	30-300	50-400	100-800
Size of input granules(mm)	< 6	< 10	< 10	< 10
Size of output granules(mesh)	20-120	20-120	20-120	20-120
Power(kw)	4	7.5	15	22
Speed of principal axis(rpm)	4650	3800	3400	2300
Overall size(L×W×H)(mm)	650×820×1500	700×900×1650	750×1000×1750	950×1250×2150
Weight(kg)	230	330	430	900

■ BSG Series Universal Grinding Set 万能粉碎机组



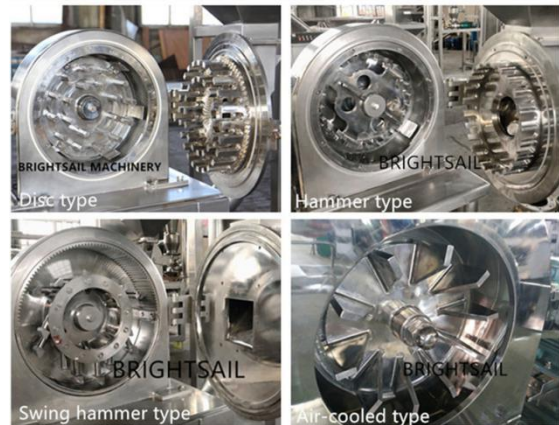
Main Usage:

BSG series self-absorb grinding set is widely used in fields of foodstuff, chemical, paint, medicine...etc. In foodstuff fields, it can grinding cooked soybean, sugar, salt, cinnamon, pepper, garlic, ginger, rice, tea...etc. It is connected with a cold air machine, it can grinding high oil content material.

Structure & working method

Raw material enters into the grinding chamber through the feed hopper, impacted by the high speed rotary cutter, thrown to the fixed liner, then is bounced and sheared.

Part of the superfine powder goes to the pulse dust collecting box, so there is no waste and no fly dust during production.



Main feature:

with a fan in the crusher part, powder is self-absorbed,

1) capacity is much bigger than traditional type, capacity is 2-3 times bigger than the traditional universal grinding machine.

2) temperature in the crusher chamber remains normal, materials' nature won't be changed.

Technical Data:

Model	BSG-300	BSG-400	BSG-500	BSG-600	BSG-700
Speed of principal axis(rpm)	5300	4800	3800	3300	2800
Crusher motor (KW)	5.5	7.5	15	22	30
Blower (KW)	2.2	2.2	7.5	15	18
Discharge motor (KW)	0.37	0.75	0.75	0.75	1.1
Grinding fineness (mesh)	12-120	12-120	12-120	12-120	12-120
Grinding capacity (kg/h)	50-500	100-1000	300-1500	500-2500	1000-5000

■ BS Series Spice Pulverizer Set 锤片式粉碎机



Main Usage:

This machine has a very good effect for different kinds of spices, like Chili, pepper, black pepper, white pepper, green pepper, cinnamon, cumin, cardamom, nutmeg, cardamom, red yeast rice, red pepper, garlic, star anise, cloves, Amomum Tsaoko, geraniol, turmeric, ginger, fennel, anise, angelica and other material with high content of oil or fiber.

For root, herb and leaf, the grinding effect is also good.

Working method:

The machine is made up of crusher part, cyclone, dust collecting box, blower and control box.

It uses fixed plate and the relative motion between the activity hammer, making materials impacted and shredded under effect of centrifugal force.



Main feature:

It can grind spice and oil material with oil content reach 10%-20%.

The temperature of the grinding chamber remains normal even though after continuous working, so color and smell of material won't be changed after being ground.

Technical Data:

Model	BS-400	BS-630	BS-880	BS-1000
Production capacity (kg/h)	80-300	300-600	700-1100	1000-1500
Grinding fineness (mesh)	12-120	12-120	12-120	12-120
Main crush motor (KW)	22	37	45	55
Overall size (L*W*H) (mm)	5400*1300*2700	6800*1300*2700	7800*1800*3200	8800*2000*3300

■ BSP Series Ultra-fine Pulverizer Set 超微粉碎机



Main Usage:

This machine is consisted of main motor,auxiliary motor,and electrical control cabinet with the capabilities of winnowing,non-sieve or mesh,equality of granule size,and continuous processing etc. it meets the international advanced level and is suitable for the material grinding by the trade of pharmaceutics,chemical ,and foodstuff etc.

Working Method:

Raw material is delivered to the grinding chamber via hopper by spiral feeder, and is cut and sheared by the high speed cutters ,then the material is moved into the whirlwind separator and the sack dust catcher by the negative pressure sucking method.the ejection material meets the product requirement.

Specialty:

1. The design is compact and structure is reasonable. The machine is equipped with an internal classification mechanism so that grinding and classification are carried out simultaneously, thus reducing energy consumption.
2. Equipped with a blower, which dissipates the heat in the machine continuously, the machine is fit for the grinding of thermal sensitive materials.
3. Having a great adaptability and narrow granularity distribution. The granularity of the product is even and fineness may reach 80-320 mesh.
4. Regulate the speed of the classifier or amount of the air without stopping the machine and evenly distributed products of the required granularity will be obtained.
5. The top cover of the main machine is opened with pneumatic springs and the body is constructed in such a way that it may be opened to two sides so that no hindrance will be met in cleaning and servicing the internal parts.
6. The main grinding parts are made of high-grade alloy tool steel so that the service life or change cycle of the wear parts is greatly lengthened.
7. High-speed precision bearings imported from abroad are adopted for the bearing system so that the whole machine runs smoothly with little vibration and noise.
8. The pipes are of quick-detachment construction, making detachment and cleaning quick and convenient.
9. Equipped with a cyclone separator and a collector, so there is no powder flying during production. The dust collecting bag can effectively collect the fine powder in the air current so as to meet the requirements for cleanness and environmental protection in waste gas discharge.
10. The fine powder collected by the dust collecting bag can be effectively recycled. thus the material loss is reduced.



Technical Data:

Model	BSP-350	BSP-450	BSP-500	BSP-750
Capacity (kg/h)	20-200	40-500	60-800	120-1800
Input size (mm)	< 15	< 15	< 15	< 15
Powder fineness (mesh)	60-2500	60-2500	60-2500	60-2500
Crush motor (kw)	11/15/18.5	18.5/22	30/37	55/75
Grade motor (kw)	1.5	4	5.5	11
Blower (kw)	7.5	11	18.5	37
Feed motor (kw)	0.55	0.55	0.75	1.5
Discharge motor (kw)	0.75	0.75	1.1	1.5
Speed of principle axis (rpm)	-6500	-5350	-4400	-3100
Grading impeller speed (rpm)	4000	4000	3500	3000
Overall size(L*W*H) (mm)	5000×1400×2800	5400×1500×2900	6600×2000×3600	9800×2700×4900
Weight (kg)	1600	1800	2300	3100

■ BS Series Cryogenic Grinder 冷冻粉碎机



Introduction:

Cryogenic grinder uses liquid nitrogen as cooling medium, can grind heat-sensitive material into fine powder, like fruit, vegetable, herb, medicine, plastic and rubber... etc. And it preserves the nutrition of products very well in cryogenic environment.

Structure composition:

1. cryogenic grinder adopts pre cooling bin to pre cool the material. Pre-cooling silo installs precision liquid gas gasification and forces material to be cooled in the process of liquid gas gasification.

Using a screw feeder to achieve uniform cooled brittle material into the crusher cavity.

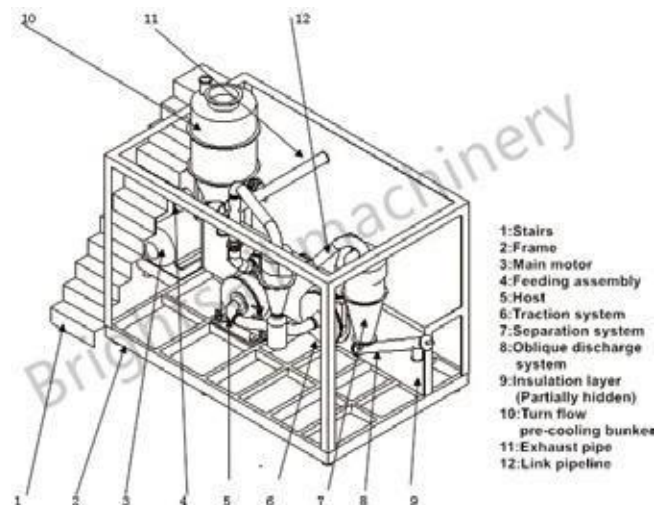
Discharge traction system: Using air traction to discharge the material which is crushed by the host through the pipeline.

Using the tilt angle discharge system out of the material, The oblique spiral discharge system ensures that the air of the cyclone does not flow out of the discharge port.

The gas mixture from the top of the cyclone separator flows back into the second cyclone separation, the final separation will have a certain role in the cold air flow through the pipeline to the main crusher feed inlet.

6. Electrical control: Using full conversion power supply, control the regional motor speed, to achieve a wide range of feed speed adjustment; Main line speed adjustment (Crushing different materials to achieve different particle states requires different first speeds); Adjust the air traction power; Discharge speed adjustment and other effects.

7. Automatic control system: Customers can use the PLC to control the system balance as needed. To achieve external control of the host pressure relief and boost function, adjust the liquid nitrogen flow according to the setting temperature. According to the regional current input speed adjustment, while the frequency of each district.



Working method:

This machine can use microcomputer control unit for volume and the amount of nitrogen. Microcomputer is to set automatic level control system as to customer's requirement, operators just need to set the expected value of fineness, then the intelligent control system will automatically adjust the temperature, the refrigerant valve size, the discharge rate, etc based on the argument point by the host current, chamber pressure machine and pipe flow.

Advantage:

1. Optimal retention of aroma and strength, in contrast to normal grinding, where approx. 15-43% essential oils are lost, while the loss with cryogenic grinding is minimal (approx. 3-10%).
2. High grinding fineness, low energy consumption, output is 2-3 times than that of normal pulverizer.
3. According to the temperature of material embitterment point, adjust the best crushing temperature.
4. Material explosion-proof, anti-oxidation, etc.
5. Trouble-free stable processing.

The machine passes through a high performance liquid gas gasification unit. In the process of gasification, the refrigerant and the material produce heat exchange. And the remaining cool air is collected by means of reflux. Each part of the use of pipeline valves to adjust the return air conditioning on the crushing chamber air compensation, material pre-cooling, closed delivery, closed grading, discharge material back flow, refrigerant usage, power source mechanism, crushing the transport process has reached the best results insulation.



Technical Data:

Model	BS-200	BS-400	BS-500	BS-800	BS-1000
Capacity(kg/h)	30-100	100-400	200-800	300-1000	500-2500
Grinding motor(kw)	11	30	45/55	75/90	132
Feed motor(kw)	2.2	2.2	2.2	4	4
Blower(kw)	0.75	4	7.5	11	15
Discharge motor(kw)	—	0.75	0.75	1.5	1.5
Feeding size (mm)	<10	<10	<10	<10	<10
Output size(mesh)	50-500	50-500	50-700	50-700	50-700
Medium	Liquid nitrogen	Liquid nitrogen	Liquid nitrogen	Liquid nitrogen	Liquid nitrogen
Temperature (°C)	-196~0(Adjustable)	-196~0(Adjustable)	-196~0(Adjustable)	-196~0(Adjustable)	-196~0(Adjustable)
Diameter of crusher chamber φ (mm)	210	400	500	800	1000
Overall size (L*W*H) mm	2100*1450*1720	2900*1700*2800	4500*2100*2900	4900*2200*3500	5400*2300*4000
Weight(kg)	795	2000	3300	4500	5200



■ **BSR Series Ribbon Mixer** 螺带混合机



Main Usage:

BSR ribbon mixer is widely used in solid- solid(powder material) and solid-liquid (powder material-fluidity material) mixing in the fields of chemical industry,pharmacy,foodstuff industries.

Work method:

BSR series Ribbon Mixer is mainly comprised of mixing barrel , spiral ribbon and driven parts. The spiral ribbon is made of two layers. That is, the inner ribbon makes the material move outwards, while the external ribbon makes the material move inwards which forms a good circulation of material. Ribbon moves so circumferentially that the mixer could achieve fine mixing efficiency in a very short time.



Technical Data:

Model	Max work volume (volume)	Speed (RPM)	Motor (KW)	Overall size (mm)	weight (Kg)
BSR-100	60L	76	2.2	1080(L)*758(W)*615(H)	330
BSR-300	180L	66	4	1550(L)*812(W)*1015(H)	780
BSR-500	300L	66	5.5	1975(L)*1059(W)*1120(H)	955
BSR-1000	600L	41	11	2340(L)*1380(W)*1455(H)	1400
BSR-2000	1200L	33	18.5	2480(L)*1651(W)*1805(H)	2500
BSR-3000	1800L	33	22	2945(L)*1896(W)*1980(H)	3300
BSR-4000	2400L	29	22	3038(L)*1946(W)*2205(H)	3600
BSR-5000	3000L	29	30	3932(L)*2010(W)*2035(H)	4620
BSR-6000	3600L	26	37	3938(L)*1882(W)*2246(H)	5300
BSR-8000	4800L	26	45	3986(L)*2160(W)*2516(H)	6800
BSR-10000	6000L	19	55	4500(L)*2270(W)*2667(H)	8900
BSR-12000	7200L	19	55	4500(L)*2466(W)*2785(H)	9520
BSR-15000	9000L	17	75	5363(L)*2470(W)*3020(H)	9950
BSR-20000	12000L	17	75	5670(L)*2650(W)*3497(H)	11140

■ BSL Series Double Shaft Paddle Mixer 无重力混合机



Working principle:

Driven by the directly -connected decelerator, the chains drive the dual-axis rotor to move reversely at a certain speed and, during the movement, the paddle on the axis makes the material go ahead on the one hand and, on the other hand, throws it along with the radial direction to the oblique-front space. The materials on the two sides move in the reversed areas of their own to go to and fro to get direction and are mutually dissolved into the penetrated and mixed so that a fluidized weightless area and rotating vortex is formed in the central part and continually moves along with the axial and radial directions so as to form a full-respect combined cycle to quickly get the uniform mixing effect.



Technical Data:

Model	Work volume	Speed (rpm)	Motor power(KW)	Overall size (L*W*H) (mm)	Weight (kg)	Output size (mm)
BSL-100	60L	2*57	3	1320 (L)*700(W)*700(H)	320	2*200*50
BSL-300	180L	2*57	4	1242(L)*1278(W)*1025(H)	750	2*250*60
BSL-500	300L	2*51	5.5-7.5	1412(L)*1410(W)*1230(H)	1000	2*300*80
BSL-1000	600L	2*43	11-15	1875(L)*1610(W)*1350(H)	1550	2*350*120
BSL-2000	1200L	2*43	18.5-22	2312(L)*2160(W)*1775(H)	2500	2*350*120
BSL-3000	1800L	2*36	22-30	2408(L)*2400(W)*1955(H)	2900	2*350*120
BSL-4000	2400L	2*36	30-37	2822(L)*2546(W)*2015(H)	3600	2*360*140
BSL-6000	3600L	2*29	37-45	3075(L)*2980(W)*2235(H)	5600	2*700*140
BSL-8000	4800L	2*29	45-55	3278(L)*3426(W)*2425(H)	7100	2*700*140
BSL-10000	6000L	2*29	55-75	3538(L)*3645(W)*2615(H)	8000	2*800*140

■ BST Series Trough Shaped Mixer 槽形混合机

Main Usage:

This type of mixer is suitable for mixing of target materials in powder or paste state evenly.

Work Method:

By driving of mechanism of the mixer, the S shape blade turns target materials to-and-fro to mix it evenly.



Technical Data:

Model	BST-50	BST-100	BST-150	BST-200	BST-300
Barrel volume(L)	50	100	150	200	300
Mixing speed (rpm)	24	24	24	24	24
Mix motor (KW)	1.5	2.2	3	4	5.5
Dumping motor (KW)	0.75	0.75	0.75	0.75	0.75
Overall size(L*W*H)(mm)	1200×500×600	1400×580×1000	2000×630×1150	2300×750×1350	2700×850×1500
Weight(kg)	320	350	410	450	520

■ BSV Series V Shape Mixer V形混合机

Main usage:

This mixer is used to mix dry powder or granules for pharmacy, food, chemical and other relative industries.

Features:

Unique design of mixing cylinder, high mixing efficiency, free of dead corner and even mixing.



Technical Data:

Model	BSV-100	BSV-200	BSV-300	BSV-500	BSV-1000	BSV-1500	BSV-2000	BSV-2500	BSV-3000	BSV-4000
Total volume(m ³)	0.1	0.2	0.3	0.5	1.0	1.5	2.0	2.5	3.0	4.0
Mixing time(min)	4-8	4-8	6-10	6-10	6-10	6-10	6-10	6-10	6-10	6-10
Cylinder speed(rpm)	12	12	12	12	12	12	12	12	7.8	7.8
Power	1.1	1.1	1.1	2.2	4	4	7.5	7.5	7.5	11
Overall size(L×W×H)(mm)	1840×600×1430	2110×600×1675	2280×630×1780	2655×1040×2250	3070×1240×2490	3840×1600×2980	3900×1440×3100	4000×1500×3225	4370×2000×3560	4800×2000×4000
Weight(kg)	230	290	400	550	850	1020	2040	2200	2500	2800

■ BSW Series Double Cone Mixer

Main usage:

This mixer is used to mix dry powder or granules for pharmacy, food, chemical and other relative industries.

Features:

high mixing efficiency, free of dead corner and even mixing.



Technical Data:

Model	BSW-180	BSW-300	BSW-500	BSW-1000	BSW-1500	BSW-2000	BSW-2500	BSW-3000	BSW-4000
Full volume(m ³)	0.18	0.3	0.5	1.0	1.5	2.0	2.5	3.0	4.0
Mixing time(min)	4-8	6-10	6-10	6-10	6-10	6-10	6-10	6-10	6-10
Turning speed of cylinder(rpm)	12	12	12	12	12	12	12	7.8	7.8
Power(kw)	1.1	1.1	2.2	4	4	7.5ou	7.5	7.5	11
Overall size of Main frame(L×W×H)(mm)	1400×800×1850	1685×800×1850	1910×800×1940	2765×1500×2370	2960×1500×2480	3386×1900×3560	3386×1900×3560	4450×2200×3600	4750×2500×3680
Gross rotation height(mm)	1850	1850	1950	2460	2540	3650	3650	3700	3730
Weight(kg)	280	310	550	810	980	2150	2150	2500	3200

■ BSTD Series Three-dimensional Swing Mixer

Main Usage:

This machine is widely applied in mixing for powder in lines of pharmacy, chemicals and foodstuff industries, as well as for quick and even mixing of various materials in different granules size and gravity.

Feature:

With unique three-dimension swing, parallel moving, and rolling methods, this mixer can generate a strong pulse movement to push forward and to mix target materials continuously. The excellent mixing effect is the result of its changeable vortex movement that possesses the energy grade inside. It also has merits of smooth running, low noise, high loading capacity and short mixing time as well.



Technical Data:

Model	BSTD-5	BSTD-10	BSTD-25	BSTD-50	BSTD-100	BSTD-200	BSTD-400	BSTD-600	BSTD-800	BSTD-1000
Volume of mix barrel (L)	5	10	25	50	100	200	400	600	800	1000
Max. loading volume(L)	3	7	17	35	70	140	280	420	560	700
Spindle speed (rpm)	0-19	0-20	0-15	0-15	0-15	0-15	0-12	0-11	0-10	0-10
Motor power(kw)	0.38	0.55	0.75	0.75	1.5	2.2	4	5.5	7.5	7.5
Overall size (L×W×H)(mm)	715×620×710	640×620×550	900×900×75	970×950×120	1200×1600×1500	1400×1800×1600	1700×2100×1850	2100×2400×2250	2200×2500×2300	2280×2600×2500
Weight(kg)	70	120	150	300	500	800	1200	1500	2000	2500

■ BSD Series Double Auger-shaped Mixer 单锥双螺杆混合机

Main Usage:

This machine is widely applied in lines of chemicals, pharmacy, feeder specially for mixing of powder materials with great disparity in its specific gravity or proportion. It is very popular in dye, color industries.

Work Method:

The rotation and revolution of the mixer is controlled by a set of motors and the cycloidal pinwheel reduction device.



Technical Data:

Model	BSD-200	BSD-500	BSD-1000	BSD-2000	BSD-3000	BSD-4000	SBD-10000	BSD-15000
Total volume (m ³)	0.2	0.5	1	2	3	4	10	15
Loading coefficient	0.6	0.6	0.6	0.6	0.6	0.6	0.6	0.6
Max. loading weight (kg)	95	190	380	720	1080	1400	3600	5400
Loosen density	-0.8	-0.8	-0.8	-0.8	-0.8	-0.8	-0.8	-0.8
Material granularity (mesh)	20-250	20-250	20-250	20-250	20-250	20-250	20-250	20-250
Power (kw)	2.2	4	4	5.5	5.5	11	18.5	22
Mixing time (min)	6-10	8-10	8-10	8-10	8-10	8-10	8-10	8-10
Overall size (mm)	φ900×1905	φ1160×2215	φ1450×2820	φ1850×3450	φ1850×3450	φ2260×4210	φ3080×5810	φ3576×6310
Weight (kg)	500	600	1300	1600	1600	2800	5600	6700

■ BSS Series Square Cone Mixer 方锥混合机

Main Usage:

BSS Square Cone mixer is widely used in pharmacy, chemical industry, Food, fodder industries.

Working Principle:

Put the material into the conical sealed mixing barrel, let hopper symmetry axis and rotating shaft axis into an angel. The three-dimensional motion of different materials is in the airtight hopper, and those materials flip strongly, diffusing and contracting, achieving the best effect of mixing.



Technical Data:

Model	BSS-300	BSS-500	BSS-1000	BSS-1500	BSS-2000	BSS-3000
Barrel volume (L)	300	500	1000	1500	2000	3000
Max load volume (L)	240	400	800	1200	1600	2400
Max load weight (kg)	150	250	500	750	1000	1500
Spindle speed (rpm)	14	13	12	10	10	8
Motor (kw)	1.5	2.2	4	5.5	7.5	11
Weight (kg)	600	750	1200	1650	2000	3000
Overall size (L*W*H)(mm)	1850×1280×1980	2200×1530×2220	2800×2000×2820	2930×2330×3355	3300×2550×3280	3800×3000×3800

■ BS Series Screw Feeder 螺杆输送机

Main Usage:

Compatible with many packing equivalents for powder or granule products. Applicable with food pharmaceutical and chemical industry etc powder, granules etc.

Features:

Humanization design, easy dismantle, separate product contact parts for cleaning without tools, no uncovered corners, particularly suitable for food packing industry. It takes one person one minute to complete the entire dismantlement process. It saves time and energy, safe and efficient.

Hopper with arch breaker device to help you to solve bridge issue.

Upgrade component: Polished screw, Semi-opening tube.

This model offers both standard and customized machine of your choice.



Technical data:

Model	BS-1	BS-2	BS-3	BS-4	BS-5	BS-6	BS-7	BS-8	BS-10
Capacity	1m ³ /h	1.5m ³ /h	2.5m ³ /h	3.5m ³ /h	4.5m ³ /h	5.5m ³ /h	8 m ³ /h	10 m ³ /h	20 m ³ /h
Speed	20-140	20-140	20-140	20-140	20-140	20-140	20-140	20-140	20-140
Pipe Diameter	Φ89	Φ102	Φ114	Φ127	Φ133	Φ141	Φ159	Φ168	Φ219
Power	1.1 KW	1.5 KW	1.5 KW	1.5 KW	1.5 KW	2.2 KW	3.0 KW	3.0 KW	4.0 KW
Weight	100kg	115kg	130kg	140kg	150	170kg	200kg	220kg	270kg
Hopper Volume	100L	120L	200L	200L	200L	200L	200L	200L	230L

■ QVC Series Pneumatic Vacuum Feeder 气动式真空上料机

Main Usage:

Vacuum feeding machine can automatically convey materials to grinding machine, mixing machine, sifting machine, packaging machines, injection molding machine, and other equipment in the hopper.

Working Method:

Pneumatic vacuum feeding machine conveys material by compressed air through vacuum generator. It doesn't need mechanical vacuum pump.



Main Usage:

Model	QVC-1	QVC-2	QVC-3	QVC-4	QVC-5	QVC-6
Capacity(kg/h)	350	700	1500	3000	6000	9000
Air Consumption(L/min)	180	360	720	1440	2880	4320
Air Pressure Supply(Mpa)	0.4-0.6	0.4-0.6	0.4-0.6	0.4-0.6	0.4-0.6	0.4-0.6
Overall Size	Φ140×560	Φ213×720	Φ290×850	Φ420×1150	Φ420×1150	Φ420×1350
Suction pipe(mm)	Φ51	Φ51	Φ64	Φ64	Φ64	Φ64

■ ZKS Series Vacuum Feeding Machine 真空上料机

Main Usage:

This equipment is widely applied in grinding machine, packer, mixer, tablet press machine, vibrating screening machine, capsule filling machine etc.

Work Method:

Feeding pipe begins to suck materials when press on the feeding switch, when the process of suction finished, vibration device vibrates or back flushing device blow backs to prevent from occluding the filter.



Technical Data:

Model	ZKS-1	ZKS-2	ZKS-3	ZKS-4	ZKS-5	ZKS-6	ZKS-7
Motor(KW)	1.1	2.2	3	4	5.5	5.5	5.5
Capacity(kg/hr)	400	600	1200	2000	3000	4000	6000

Remark: conveying capacity is measured when pipe is 4 meter long and conveying material is flour. The longer the pipe is, capacity will drop. And capacity has great relationship with characteristic of materials.

■ BSST Series High Efficient Sifter 高效筛粉机

Main Usage:

This machine is applied in the sorting of the granule size of dry powder materials in trades of medicine, chemical and foodstuff etc.

Work Method:

This machine is composed of vertical vibration motor, a sieve bottom, a mesh frame, sieve room, rubber vibrating bowl, and all fastening pieces. It can be operated for sorting purpose either in single sieve or mulch-sieves with a compact structure, ease operating and repairing, smooth running, low noise, large target material-treating, good fineness and wide applicability.



Technical Data:

Model	BSST-600	BSST-800	BSST-1000	BSST-1200	BSST-1500
Capacity (kg/h)	180-2000	200-2500	250-3500	300-4000	350-4500
Overall size (L*W*H)(mm)	800*800 *1100	1100*950* 1150	1100*1100* 1200	1300*1300* 1400	1680*1680* 1420
Power (KW)	0.4	0.75	1.5	1.5	2.2
Screen mesh	12-200	12-200	12-200	12-200	12-200
Vibrating freq (time/min)	1500	1500	1500	1500	1500
Weight (kg)	200	300	410	500	800

■ BSRs Series Rotary Sifter 旋转筛粉机

Main Usage:

This sifter is used for solid granules, to be matched with operation of material powder line or to be operated as single machines. The machine is suitable for the material screening in the processing of the medicine, chemicals and foodstuff in high viscosity, high fibrin and mesh with an ideal result.

Work Method:

It is composed of machine base, chassis material screwing in/out devices and motor, etc. A sift structure is equipped in the cylinder in which the target materials were turned up and down continuously by the scraper to push the materials forward until the fine material is dropped from sieve. The others are pushed ahead continuously until to be sent out from the exit for coarse materials.



Technical Data:

Model	BSRS-190	BSRS-300
Capacity (kg/h)	100-1500	200-2000
Mesh	20-200	20-200
Motor (KW)	3	4
Speed (rpm)	940	620
Overall size (L*W*H) (mm)	1700*600*1630	1735*750*2400
Weight (kg)	200	450

■ BSDF Series Dust-free Feeding Hopper 无尘投料站

Main Usage

Dust-free feeding station is used in pharmacy, chemical industry, food, battery and other areas, it can also be applied in unpacking, delivery, screening and unloading of small-packing materials. We can avoid material and dust flying everywhere when unpacking them because of the function of dust-catching fan. We only need to remove the package manually and put it into this system when releasing materials and putting them into the next process. Vibrating screen (safety screen) can intercept large materials and foreign body when materials through it, and thus we can ensure grains which meeting the requirement are discharged.



Technical Data:

Model	BSDF-1	BSDF-2
Blower motor (KW)	1.1	1.5
Vibrating motor (KW)	0.18	0.18

■ BSO Electric Drying Oven烘箱



Product Application

This machine is widely applied for the heating and dehumidifying of raw materials and products in the lines of pharmacy, chemical, foodstuff, light industry, heavy industry etc.

Specialty:

Great part of hot wind is circulated in the oven with high thermal efficiency, less energy consumption. The oven is equipped by the adjustable air-distributing plates to utilize the forced ventilating to dry the target materials evenly. The whole machine runs in stable condition, low noise, self-control temperature, easy installing and maintaining, and wide application.

Technical Data:

Model	BSO-0	BSO-I	BSO-II	BSO-III	BSO-IV
Capacity(kg/batch)	60	120	240	360	480
Blower powder(kw)	0.45	0.45	0.9	1.35	1.8
Steam expend(kg/h)	6	20	45	70	90
Heat dispelling area(m3)	5	20	40	80	100
Wind (m3/h)	3450	3450	6900	10300	13800
Diff.in up&down	±2	±2	±2	±2	±2
Tray(piece)	24	48	96	144	192
Overall size(L*W*H)	1370*1200*2200	2300*1200*2200	2300*2210*2200	3300*2210*2200	4460*2210*2200
Weight(kg)	800	1500	1800	2200	2800



■ BSCZ Roasting Machine 烘烤机



Product Application:

Our DCCZ roasting machine is used to roast all kinds of dry grains, nuts, spices, herbs, beans and other materials automatically. It adopts unique horizontal roller structure, uniform heating, good sealing to effectively roast food.

Our DCCZ cereal roasting machine uses the phenomenon of electromagnetic induction to make the inner pot body heat directly to achieve the purpose of frying the materials. The electromagnetic roasting machine is safe and reliable, has no pollution to the environment, has strong controllability and high thermal efficiency. It is a roasting machine with strong stability and environmental protection and electricity saving.

Technical Data:

Model	Capacity(kg/h)	Power range(kw)	Matching power(kw)	Overall size(L*W*H)(mm)	Pot size(mm)
BSCZ-5-5	10-30	1.5-7.5	0.25	930*660*1270	500*500
BSCZ-5-10	30-60	3-15	0.4	1580*750*1330	500*1000
BSCZ-7-10	50-250	4-32	1.1	1650*950*1520	700*1000
BSCZ-7-15	100-350	6-48	1.5	2000*950*1520	700*1500
BSCZ-9-16	150-450	7-55	3	2000*1190*1650	900*1600



■ BSSF Wet Type Granulator 湿法制粒机



Product Application:

The machine is a process machine widely applied for solid preparation production in the pharmaceutical industry. It has such functions as mixing, granulating, etc. It is widely used in such industries as medicine, chemical industry, food, etc.

Technical Data:

Model	BSSF-50	BSSF-100	BSSF-200	BSSF-300	BSSF-400	BSSF-600
Total volume (L)	50	100	200	300	400	600
Work volume (L)	12-36	25-70	50-150	60-220	100-280	150-400
Capacity (kg) (If powder 0.5g/cm ³)	6-18	12-35	25-75	30-110	50-140	75-200
Stirring paddle speed (rpm)	50-500	30-360	30-260	20-200	20-200	20-200
Stirring motor (kw)	5.5	7.5	15	22	22	30
Cutting knife speed (rpm)	50-3000					
Cut motor (kw)	1.5	3	4	7.5	7.5	11



■ BS Swing Granulator 摇摆颗粒机



Product Application:

This machine can make granules from wet powder materials or break down the dry lumpish materials. It is widely used by the industries of pharmacy, chemical, and foodstuff etc.

Working Method:

By driving of mechanism, the cylinder is swing to-and fro to force the target materials squeezed from sieve to make out granules or to smash it as granules.

Technical Data:

Model	YK-60	YK-90	YK-100	YK-160	YK-250
Capacity(kg/h)	20-30	40-50	50-200	100-300	150-400
Power (kw)	0.37	0.37	1.1	2.2	5.5
Speed of cylinder(rpm)	46	46	55	55	40
Swing angle	184°	290°	360°	360°	360°
Diameter of cylinder(mm)	Φ60	Φ90	Φ120	Φ160	Φ250
Overall size (L*W*H)(mm)	530*400* 530	700*400* 780	700*400* 1050	1000*800 *1170	1300*920 *1500
Weight(kg)	100	120	280	380	550



■ BSX Rotary Granulator 旋转制粒机



Product Application:

It is suitable for granulation of pharmaceutical, food, chemical, dissolved medicines, solid beverage, chicken essence and other materials with high viscosity.

It's used in granulating the damp materials into column-shape granules; it is also used in crushing the agglomerate dry powder or blocks into granules.

Working Method:

It is mainly composed of drive motor, feeding hopper, extrusion blades, sieve cylinder and discharging hopper.

This machine adopts one pair of rotating grinding blade to grind form wet material into column-shape granule by stainless steel sieve cylinder which is provided to pelletize in next process.

The machine can obtain different size granules by changing the stainless steel sieves.

The gap between blade and screen is adjustable.

Technical Data:

Model	BSX-250	BSX-300A	BSX-300B
Capacity(kg/h)	50-200	100-400	150-600
Diameter of granules(mm)	0.5-5	0.5-5	0.5-5
Power(kw)	3	7.5	11
Dimension(mm)	700*540*1300	880*640*1300	1300*800*1300
Weight(kg)	230	300	350



■ BSPM Series 10-5000g Semi-automatic Filling Machine



Product Application:

BSPM is a spiral powder filling machine. It provides ingredients and filling work for the food, chemical and pharmaceutical industries.

The semi-automatic machine is ideal for small batch production and saves costs, which is suitable for fluids or low-flow materials such as coffee powder, protein powder, solid beverage, veterinary medicine, washing powder, talcum powder.

Technical Data:

Model	BSPM-C
Dosing Technique	By auger
Filling Range	10 to 5000g
Accuracy	≤ 100g, ≤±2%; 100 – 500g, ≤±1%; ≥500g, ≤±0.5% (depend on product property and filling weight)
Speed	20~40 bags/min (depends on worker handle speed)
Container Model	Can, Bag, Bottle, etc.
Hopper Size	25L, 50L, 70L
Motor	Single-phase 220V, 50Hz (or can be customized)
Motor	2.5KW
Size	1140×970×2030mm



■ BSPM Series 10-5000g Fully Automatic Packing Machine



Product Application:

BSPM automatic packing machine can do the work of bag-making, weighting, filling, filling the nitrogen, date coding, and bag-cutting. It is suitable for packing powder and granule material such as spice powder, sugar, coffee powder, icing sugar, rice flour...etc.

The powder filling machine uses PLC Servo System and pneumatic control system and super touch screen to compose the drive control center, which maximize the whole machine's control precision, reliability and intelligentized level.

Technical Data:

Measure method	Auger dosing	Weighing feedback tracking
Bag-making size	(W)80-200mm (L)100-300mm	(W)100-250mm (L)100-350mm
Filling weight	10-5000g(by changing mould)	
Packing precision	≤1%	
Packaging speed	25-60 bags/min	
Power	6 kw	
Pressure	6-8 kg/cm ²	
Use tolerance	0.2 m ³ /min	
Weight	700 kg	950 kg
Dimension	1300×1500×2600 mm	

■ BSPM-F 1-100g Small Bag Fully Automatic Packing Machine



Product Application:

BSPM-F is our small bag fully automatic filling machine, used for packing powder or granules into super small bags. It can do dosing and filling work for food, chemical, and pharmaceutical industry. With automatic weighing function, different size bags can be filled. Certainly, the packing bag size has a limit, the size should be within 30-100mm in width and within 30-165mm in length.

BSPM-F small bag powder filling machine is suitable to pack both the fluidic and low-fluidity materials, like coffee powder, protein powder, solid drink, drug powder and so on.

Technical Data:

Biggest Film width	300mm
Bag size	W:30-100mm L:30-165mm
Packing speed	35~65 packs/minute
Measure method	auger weighing
Sealing type	Three-side seal
Measure weight	1-100g
Power	1.5KW
Power supply	1P/220V/50HZ (can be customized)
Machine size	1100*850*1800mm
Weight	220kg



■ BSPM-A100 4-50kg Big Bag Semi-automatic Packing Machine



Product Application:

BSPM-2 packing machine can do the work of bag-making, weighting, filling, filling the nitrogen, date coding, and bag-cutting. It is suitable for packing power and granule material such as milk tea, detergent powder, solid beverage, sugar, coffee, feedstuff, solid medicine, powder type additive, and dye, etc.

It uses PLC Servo System and pneumatic control system and super touch screen to compose the drive control center, which maximizes the whole machine's control precision, reliability and intelligentized level.

Technical Data:

Model	BSPM-2
Feed type	double screw
Measure method	by auger weighing
Weigh range	4-50kg
Packing accuracy	≤1‰
Pack speed	2-4 bags/minute
Hopper size	150L
Motor	2KW
Machine size	1000*1000*2300mm
Remark	when pack 4~10 kg bags, accuracy is ±10g when pack 10~25 kg bags, accuracy is ≤1‰

■ BSPM-B100 1-50kg Semi-automatic Super Fine Powder Packing Machine



Product Application

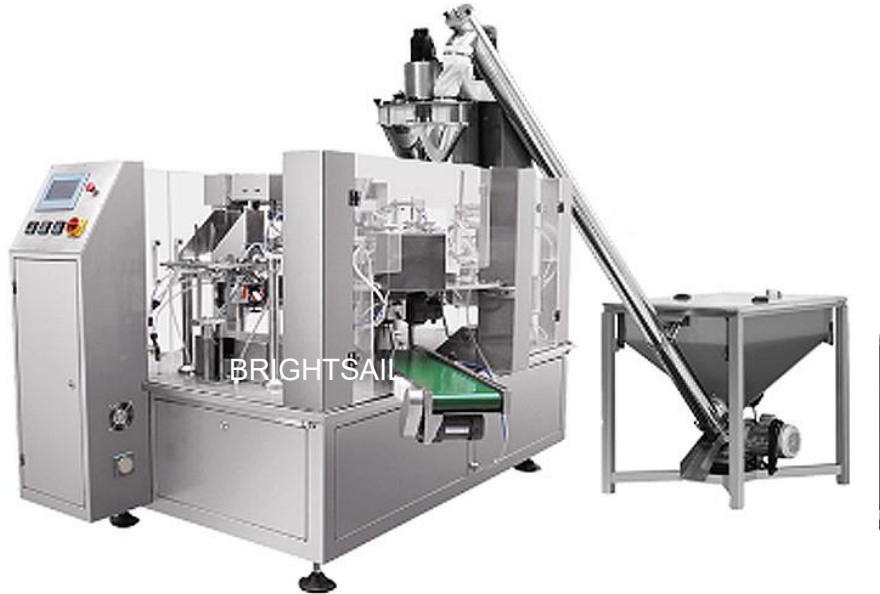
BSPM-2 packing machine can do the work of bag-making, weighting, filling, filling the nitrogen, date coding, and bag-cutting. It is suitable for packing power and granule material such as milk tea, detergent powder, solid beverage, sugar, coffee, feedstuff, solid medicine, powder type additive, and dye, etc.

It uses PLC Servo System and pneumatic control system and super touch screen to compose the drive control center, which maximizes the whole machine's control precision, reliability and intelligent level.

Technical Data:

- *Model: BSPM-B1
- *Packing Weight: 1-50kg
- *Packing speed: 2-3bag per min
- *Packing accuracy: ± 20 g
- *Hopper volume: 100 L (split hopper)
- *Lift-able tray, no dust spouts out when filling

■ BSPM-1 10-5000g Fully Automatic Packing Machine



Product Application:

BSPM-2 packing machine can do the work of bag-making, weighting, filling, filling the nitrogen, date coding, and bag-cutting. It is suitable for packing power and granule material such as milk tea, detergent powder, solid beverage, sugar, coffee, feedstuff, solid medicine, powder type additive, and dye, etc.

It uses PLC Servo System and pneumatic control system and super touch screen to compose the drive control center, which maximizes the whole machine's control precision, reliability and intelligentized level.

Technical Data:

Model	BSKG-200
Type of packing bag	Self-supporting bag, handbag, zipper bag, four-side sealing bag, three-side sealing bag, paper bag and other composite bags
Machine material	SS304
Size of packing bag	Width: 70-200mm Length: 90-350mm (It can be customized)
Packing speed	20-55 bags/min (The speed is determined by the product itself and the filling weight)
Total power	3.6Kw
Applicable product	Coffee powder, protein powder, starch and other products
Working process	1. Upper bag 2. Marking 3. Opening bag 4. Blanking 5. Heat sealing 6. Output of finished products
Overall dimensions	2165mm*1500mm*1450mm
Air consumption	1.0 m3/min (Air compressor provided by customer)



■ BSGP Series 5-25kg Granule Packing Machine



Product Application:

BSGP big bag granule packing machine is our hot selling packing machine, suitable for food, chemical and pharmaceutical industries. It is specially designed to pack some big granules into big bags of 5-25kg, for example, to pack rice and wheat and other grain products into big bags.

Z shape lifting conveyor is a good match for our BSGP packing machine. With it, the granules can be automatically sent to the packing machine.

Technical Data:

1. Feeding method: feeding gate and vibrator
2. Measuring method: weighing
3. Packing weight: 5-25 kg
4. Measurement accuracy: $\pm 0.2\%$
5. Packing speed: 2~5 bags/minute
6. Power: 4 KW
7. Overall size: 1200*1000*2300 mm
8. Weight: ~200kg
9. Voltage: 380V/220V, 50/60Hz, 3P or customized

Jiangyin Brightsail Machinery Co.,Ltd.

江阴市晟航机械制造有限公司

Add: No 291, South Street, Zhutang Town, Jiangyin city, Jiangsu Province.

地址：江苏省江阴市祝塘镇南街291号

邮编P.C.: 214415

官网Website: www.brsmill.com / www.brightsail-asia.com

联系Contact: Beta Ning

邮箱Email: sales009@brightsail-asia.com

电话Tel: 0086-18015392516

传真Fax: 0086-510-86389258