

Technical Data Sheet  
Bending Machine EB 20 / EB 40

# Technical Data Sheet

## Bending Machine EB 20 / EB 40

	EB 20	EB 40
Dimensions and weight (machine with 1500 mm side stop and tables)		
Weight	1350 kg	1700 kg
Length	1615 mm / 63.6 inch	
Width	3550 mm / 139.75 inch	
Height	1870 mm / 73.6 inch	
Working height	900 mm / 35.4 inch	
Environmental conditions		
Temperature	15 – 35°C / 59° – 95°F (without air condition)	
Max. relative humidity	60%	
Bending drive		
Bending drive	Hydraulic	
Hydraulic oil	20 l	30 l
Bending power	222 kN	344 kN
Max. pressure	280 bar	
Max. stroke	200 mm / 7.87 inch	
Max. stroke velocity	17.5 mm/s / 6.9 inch/s (50 Hz) 21 mm/s / 0.83 inch/s (60 Hz)	
Bending accuracy	0,2°	
Side stop		
Length	1500 or 2000 mm / 59 or 78.7 inch	
Speed	250 mm/s / 9.8 inch/s	

## Technical Data Sheet

### Bending Machine EB 20 / EB 40

		EB 20	EB 40
<b>Work piece dimensions</b>			
Flat bend	Thickness	3 – 20 mm / 0.12 – 0.78 inch	3 – 20 mm / 0.12 – 0.78 inch
	Width	15 – 160 mm / 0.6 – 6.3 inch	15 – 200 mm / 0.6 – 7.87 inch
	Length <sup>1</sup>	from 40 mm / 1.6 inch	from 40 mm / 1.6 inch
Edge bend	Thickness	3 – 10 mm / 0.12 – 0.39 inch	
	Width	20 – 120 mm / 0.78 – 4.7 inch	
	Length <sup>2</sup>	from 40 mm / 1.6 inch	
Offset bend	Thickness	3 – 15 mm / 0.12 – 0.6 inch	
	Width	15 – 160 mm / 0.6 – 6.3 inch	
	Length <sup>3</sup>	from 40 mm / 1.6 inch	
<b>Machine control</b>			
Control		Beckhoff TwinCAT	
Machine PC		Beckhoff CX-5130	
Processor		Intel Atom E3827, 1,75 GHz	
Memory		RAM: 4 GB DDR3, HDD: 40 GB CFAST FLASH	
Interfaces		2 x RJ45 10/100/1000 Mbit/s, 4 x USB 2.0, 1 x DVI-I	
Operating system		Windows 10 IoT	
Operating software		EHRT PowerBend (PowerCut)	
User interface		Touchscreen, keyboard and buttons	
<b>Electrical connection</b>		<b>IEC</b>	<b>UL</b>
Voltage		400 V AC ± 5%	460 V AC ± 5%
Frequency		50 Hz ± 1%	60 Hz ± 1%
Electrical fuse protection		16 A	15 A
Electrical supply		3 phases, N, GND	3 phases, GND

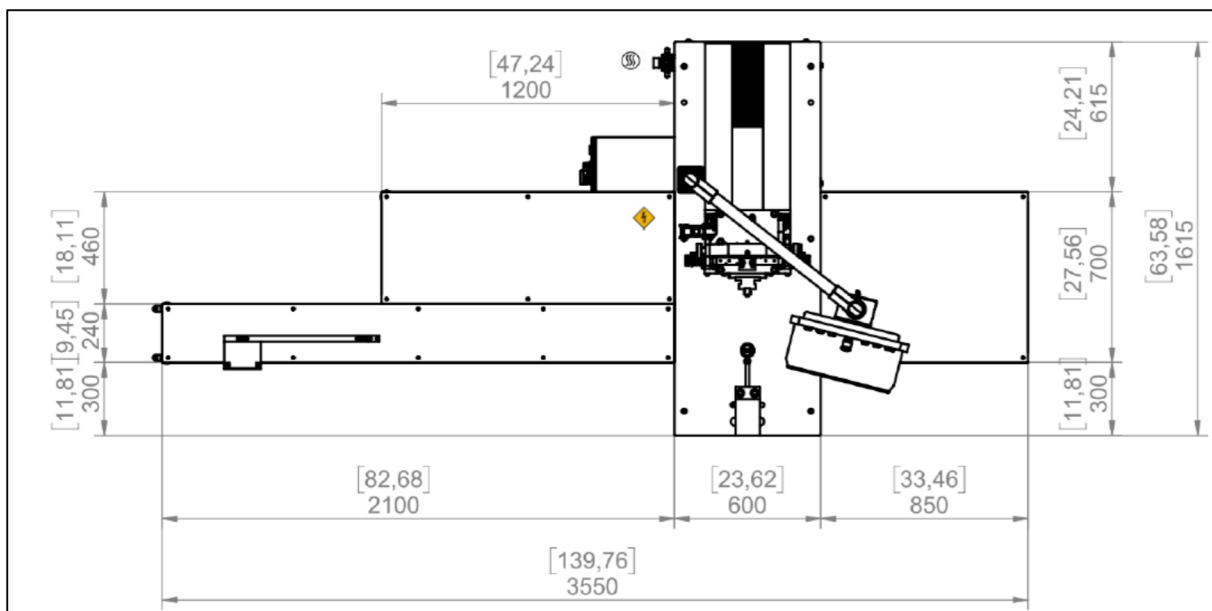
<sup>1</sup> The maximum possible part length is above all depending on the length of the side stop and the position of the bends. The machine can also be operated without a side stop (stop folded away).

<sup>2</sup> Ditto

<sup>3</sup> Ditto

## Technical Data Sheet Bending Machine EB 20 / EB 40

	EB 20	EB 40
Pneumatic connection		
Operating pressure	6 bar	
Typical compressed air requirement	20 l/min	
Quality class (ISO 8573-1)	class 5	
Connecting hose	¼ inch	
Color		
Machine corpus	RAL 5010 gentian blue	
Electrical cabinet and cladding panels	RAL 7035 light gray	
Noise emission	< 82 dB(A)	
Operating time	80% (Single shift)	



**EB 20 / EB 40: Top view of the machine (example)**