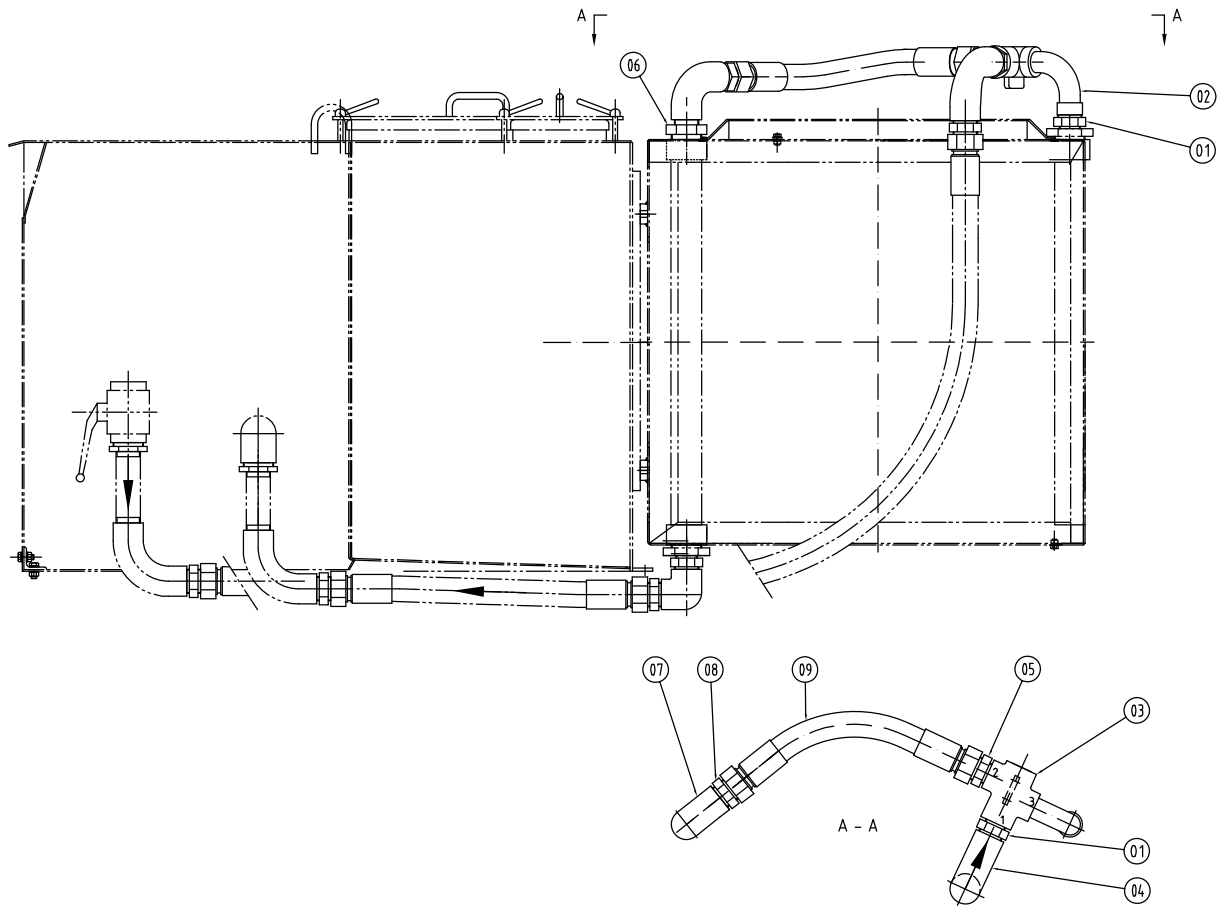
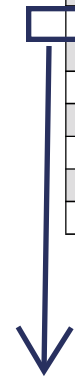


3. Thermostatic valve (Option)



| Pos no | Qty. | Part number | Alternative | Description | Remarks |
|--------|------|-------------|-------------|--|---------|
| 01 | 2 | 900.0191-00 | | Hexagon nipple reducing 1 1/2x1 1/4 ISO49 N8 | |
| 02 | 1 | 900.0089-00 | | Bend ISO49 G4 1 1/4" | |
| 03 | 1 | 902.0760-00 | | Valve 7095-35 R 1 1/4 | |
| 04 | 1 | 900.0082-00 | | Bend ISO49 G1 1 1/2" | |
| 05 | 1 | 900.0650-00 | | Adapter 1 1/2x 1 1/4 | |
| 06 | 1 | 900.0193-00 | | Hexagon nipple 2x 1 1/2 ISO49 N8 | |
| 07 | 1 | 900.1548-00 | | Bend ISO 49 1 1/2" | |
| 08 | 1 | 900.0658-00 | | Straight adapter G 1 1/2 B-11 | |
| 09 | 1 | 650.0092-08 | | Hose SAE 100 R1AT R 1 1/2" L=500 | |



SVEDALA 902.0760-00