

The Proving Ground



Secheon, Daegu

- ▶ October, 2013
- ▶ Seongseo 5th Industrial Complex, Daegu
- ▶ 4,400 m²

SUWON



Researcher 133 People



Intellectual Property Right 148 ea



Test Equipment 48 ea

Patent 123
Utility Model Rights 3
Trademark 22

Endurance 34
Performance 14

SVPH

- ▶ Shenyang China
- ▶ May, 2015
- ▶ 230 people
- ▶ Clutch Cover, Disc, DMF

DFM

- ▶ Suzhou, China
- ▶ C.V Clutch Cover, Disc

VFM

- ▶ Nanjing, China
- ▶ June, 2014
- ▶ 21 people
- ▶ Facing

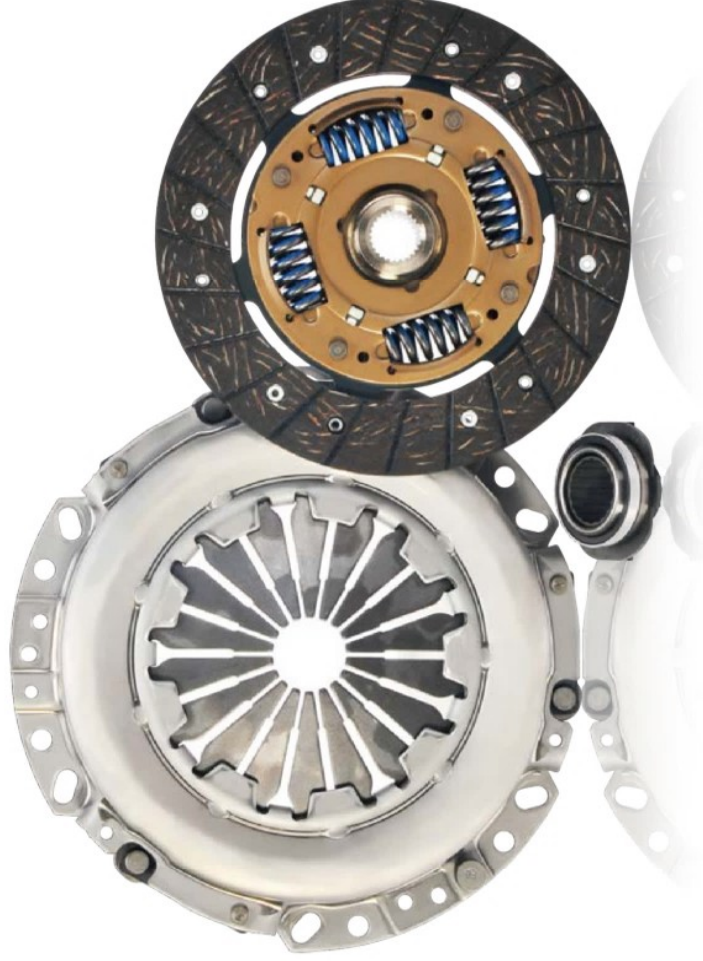
NVCC

- ▶ Nanjing, China
- ▶ July, 2004
- ▶ 550 people
- ▶ Clutch, DMF, SMF, Hydraulic Tube

VPHA

- ▶ Purwakarta, Indonesia
- ▶ April, 2016
- ▶ 11 people
- ▶ Cover, Disc

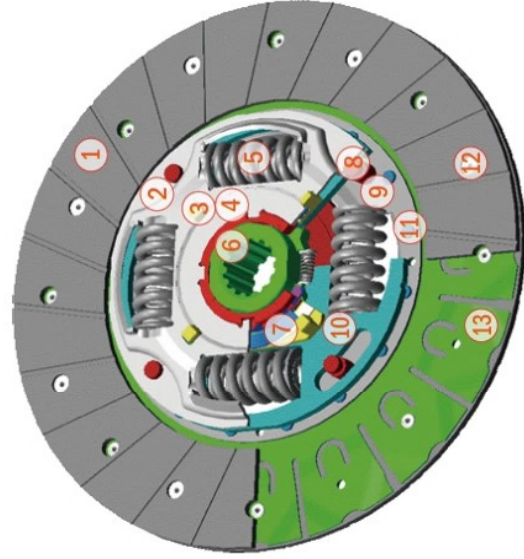




DISC

Clutch discs minimize vibration and noise. Clutch discs adjust the vibration and noise of a car, thereby providing the most comfortable ride according to the car's overall characteristics.

The most prominent feature of clutch is the torsion phenomenon that reduces the unpleasant noise and vibration generated by changing revolution speed. Clutch discs from Valeo Pyeong Hwa use dampers (large angular displacement ones and multi stage pre-damper) to fit car's circumstances.



1. FACING
2. SUB PLATE
3. FRICTION WASHER
4. FRICTION BUSHING
5. TORSION SPRING
6. SPLINE HUB
7. WAVE SPRING
8. STOPPER PIN
9. DISC PLATE
10. HUB PLATE
11. CUSHION RIVET
12. FACING RIVET
13. CUSHION PLATE

COVER

Clutch covers are suitable for vehicle characteristics in any automobile from a light passenger car to 54-ton high-power truck, the clutch cover generates a pushing load and determines the pedal effort of the driver.

For comfortable and safe driving, it is therefore important to select a good quality clutch cover suitable for the type of vehicle. Valeo Pyeong Hwa clutch cover is categorized according to shape, part composition and features. Each type has a unique characteristic and permits the part for each car ensuring a smooth start & a good ride.



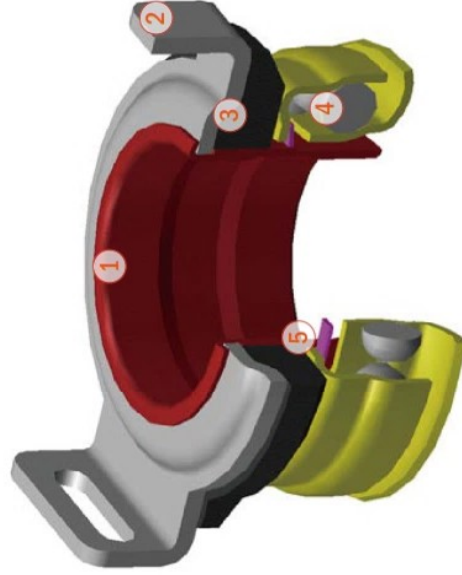
1. COVER PLATE
2. DIAPHRAGM SPRING
3. FULCRUM PLATE
4. PRESSURE PLATE
5. C/PLATE RIVET
6. STRAP PLATE
7. P/PLATE RIVET

RELEASE BEARING

Release bearing is developed via internationally patented technology. When the engine starts of a gear is shifted, it pushes the diaphragm of the clutch cover, and the pedal power is delivered through the clutch master cylinder and the clutch release cylinder, so it cuts engine power away from the transmission.

Employing the world's top-tier self-centering system technology, the release bearing from Valeo Pyeong Hwa automatically adjusts the friction generated by intermittent clutch power, thus preventing excessive abrasion and prolonging life.

Moreover made of advanced engineering plastic resin, they are very compact and light in weight, and they effectively absorb the vibration in any part of the car.



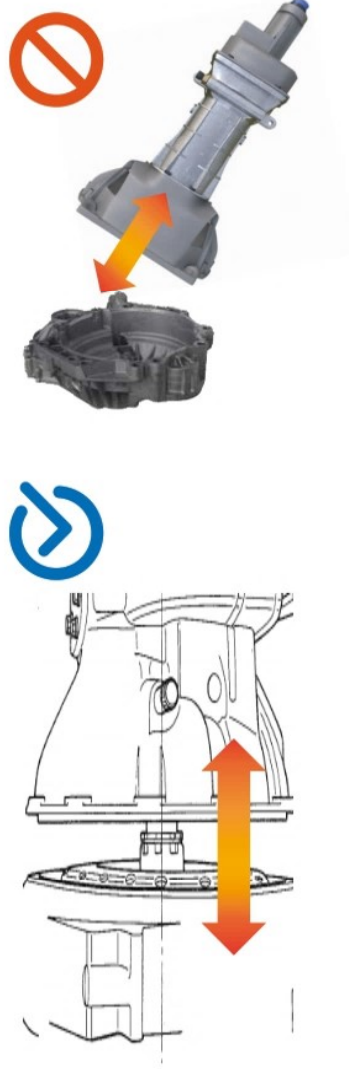
1. SLEEVE
2. BACK PLATE
3. PLASTIC SPACE
4. BALL BEARING ASS'Y
5. ELASTIC WASHER

CLUTCH INSTALLATION & WARRANTY

Not observing below guidelines can't be guaranteed by Valeo Pyeong Hwa Warranty

I. Clutch Removal

- Mark drive shafts to matched up on reassembly.
- Fully support transmission making sure that it is securely fastened to transmission stand.
Do not allow gearbox to hang on the input shaft.
- Remove gearbox directly backward but not diagonally.



FOR BEST RESULTS

- * Install new release bearing and pilot bearing/ bushing whenever installing a new clutch.
- * Replace clutches as KIT.
- * Surface of Pressure plate & Flywheel should be even, or flat.



II. Inspection & Check point

Checking abnormality before replacement is important, i.e. checking hydraulics, bearing, clutch cable, oil leakage etc.
 Make sure new products are exactly for your application. If try to engage any same size clutch to your mission,

- A. FACINGS
 - No oil or contamination on facing is allowed.
- B. CLUTCH DISC
 - Check spline teeth or flywheel runout. Apply **'little'** grease on teeth and drive shaft spline.
- C. FLYWHEEL
 - Check overheating crack, scoring, warping and contact surface(with facing) flatness.
 - Check spline wear. Apply little grease on teeth.
- D. INPUT SHAFT
 - Remove old grease/Apply thin grease. New bearing must slide freely.
- E. R / BEARING
 - Apply thin grease on fork pivot and fingers. Ensure smooth operation.

III. Installation

- A. Make flywheel / Pressure plate / Disc facing absolutely clean(No dust or rust using solvent or cleaner)
- B. Use **alignment tool** to correctly align the disc to flywheel.
- C. Assemble cover to flywheel dowel holes. Tighten bolts evenly according to diagonal order.

Flywheel to crank (8 bolts) 53 ft. lbs.

Clutch Pressure Plate (6 bolts) 11.6 ft. lbs.

- D. Install transmission housing carefully. Input shaft slowly with care as first picture shown above.

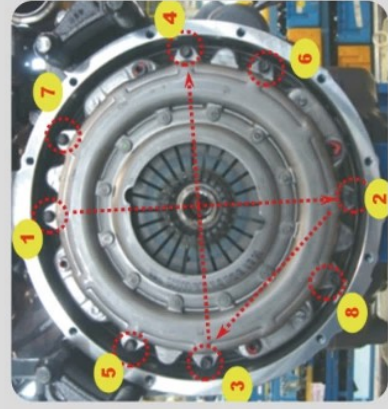
DO NOT FORCE or use the tightening of the bell housing bolts to draw transmission to engine block.

Rotate input shaft if necessary to align splines.

DO NOT HANG transmission jack lift, during installation.

- E. Refer to the vehicle manufacturer's specifications for correct adjustment of the clutch.

- F. After adjusting clutch pedal release distance and hydraulics, take a load test.



Valeo Pyeong Hwa
CLUTCH CATALOGUE **20182019**



PHC *Valeo*

- **CLUTCH COVER**
- **CLUTCH DISC**
- **CLUTCH FACING**
- **RELEASE BEARING**
- **CLUTCH CYLINDER**
- **CLUTCH KIT**



PHC Valeo

Information

Visit our Website “www.koreavaleo.com”

VPHI info

The screenshot shows the 'VPHI info' page on the PHC Valeo VPH International website. It features a navigation bar with 'Company', 'Clutch Range', 'Other Range', and 'Public Relations'. The main content includes the company logo, a paragraph describing VPH International as a global auto-parts distribution company established in 2008, and a list of product brands: PHC, CPHC, ECHO by PHC, and DIMMELSEN. Navigation buttons for 'Clutch Range', 'Other Range', and 'Public Relations' are visible at the top.

Product information

The screenshot shows the 'Clutch Disc' product page. It features a navigation bar with 'Company', 'Clutch Range', 'Other Range', and 'Public Relations'. The main content includes a title 'Clutch Disc', a sub-header 'Clutch discs minimize vibration and noise', and a detailed paragraph explaining the benefits of the product. An image of several clutch discs is shown on the right. Navigation buttons for 'Clutch Range', 'Other Range', and 'Public Relations' are visible at the top.

Catalogue & Brochure

The screenshot shows the 'Catalogue & Brochure' page. It features a navigation bar with 'Company', 'Clutch Range', 'Other Range', and 'Public Relations'. The main content includes a title 'Catalogue & Brochure', a sub-header 'PHC Product Catalogue', and a list of product categories: 'Clutch parts', 'Clutch discs', 'Clutch plates', 'Clutch levers', 'Clutch cables', 'Clutch forks', 'Clutch springs', 'Clutch bearings', 'Clutch shoes', 'Clutch discs', 'Clutch plates', 'Clutch levers', 'Clutch cables', 'Clutch forks', 'Clutch springs', 'Clutch bearings', 'Clutch shoes'. Navigation buttons for 'Company', 'Clutch Range', 'Other Range', and 'Public Relations' are visible at the top.

Contact us

The screenshot shows the 'Contact us' page. It features a navigation bar with 'Company', 'Clutch Range', 'Other Range', and 'Public Relations'. The main content includes a title 'Contact us', a sub-header 'PHC Valeo VPH International', and a list of contact information for Domestic, Overseas, and Shanghai offices. Navigation buttons for 'Company', 'Clutch Range', 'Other Range', and 'Public Relations' are visible at the top.

Minimum Order

Minimum order should be over 100pcs per each item and not less than USD 5,000 its total amount.

Important Notice

The data listed herein has been compiled from reliable and official sources of information and it is correct to the best of our knowledge. However, we do not assume any responsibility for possible error in this catalogue. We would appreciate your notice of error in helping us to improve catalogue to be made in the future.

PHC

Valeo

www.koreavaleo.com



*The name we **Trust***

Valeo Pyeong Hwa International Co.,Ltd.