

Y-Hollow section

شفت و سوزن است

HAMMER MILL

1- Spring for DFKG-25

صند داخلي لولم خنجر

دیسک بیرونی

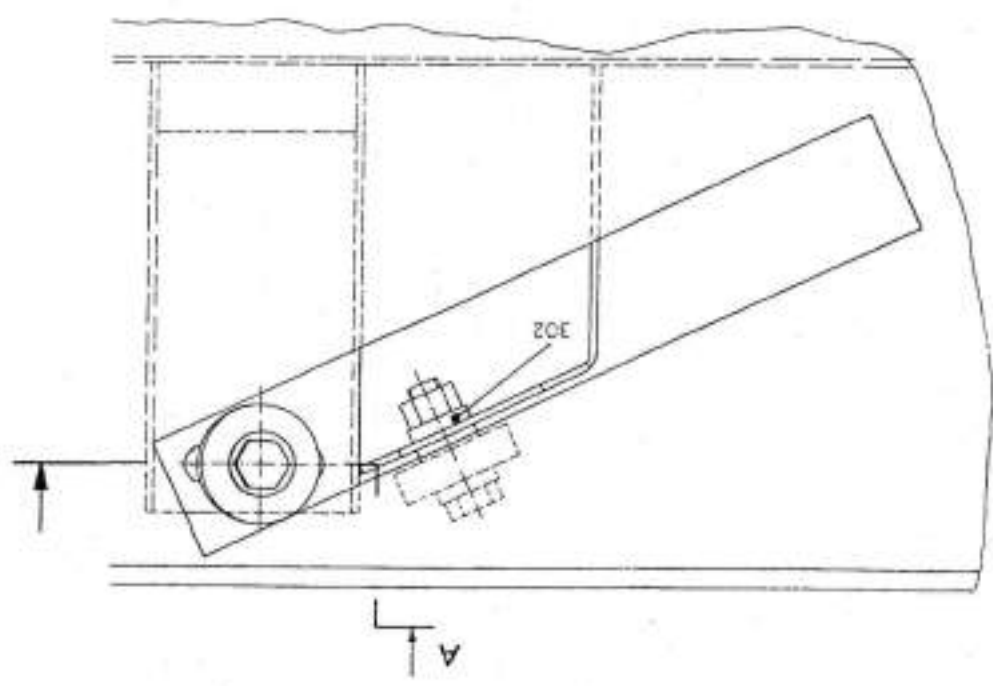
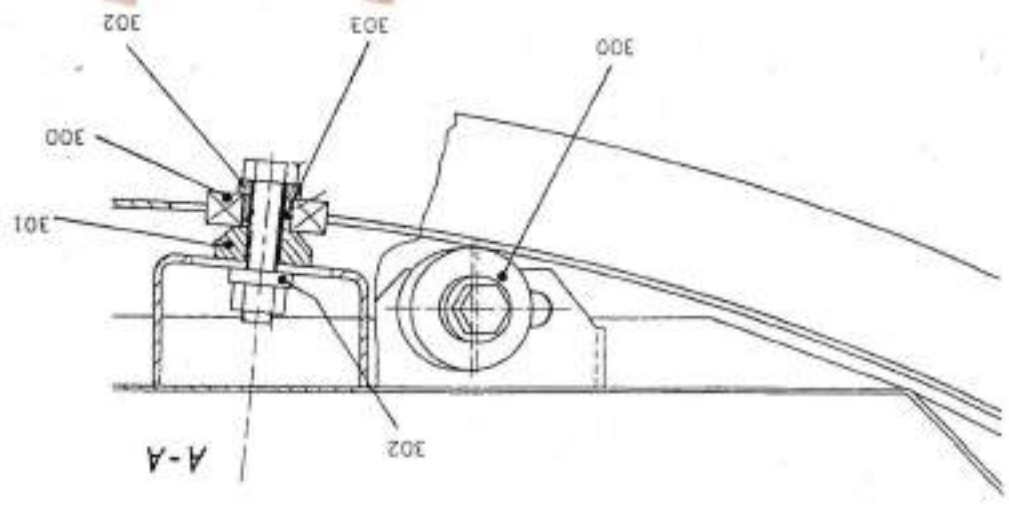
بوشنگ بیرونی

7/6

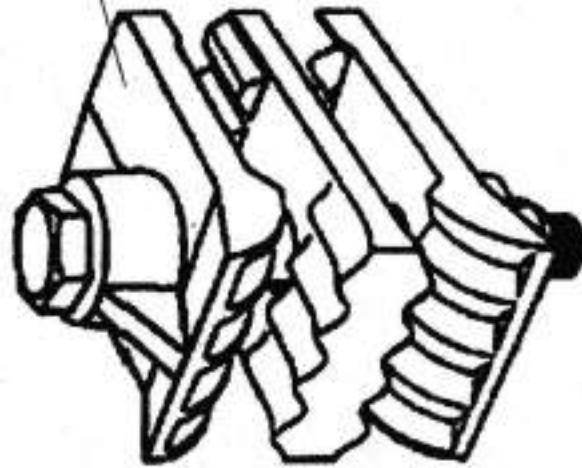
6 E19 9

DFKG

8711/RS



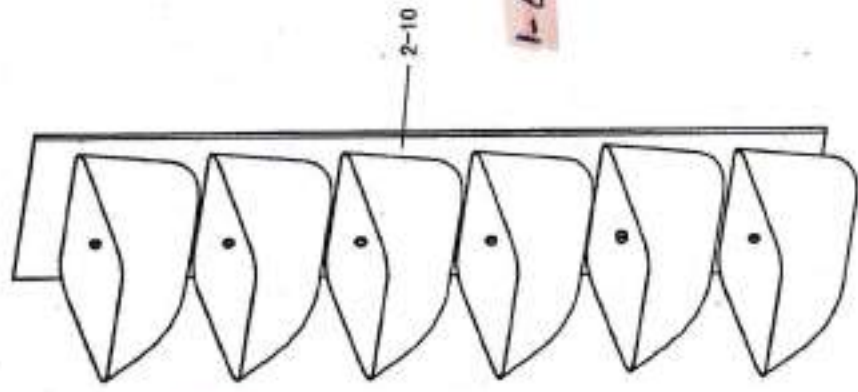
COOLER



1- Belt connecting

500 * 360

كلمب اتصال حزام



2-10

1- Elevator bucket P6 white

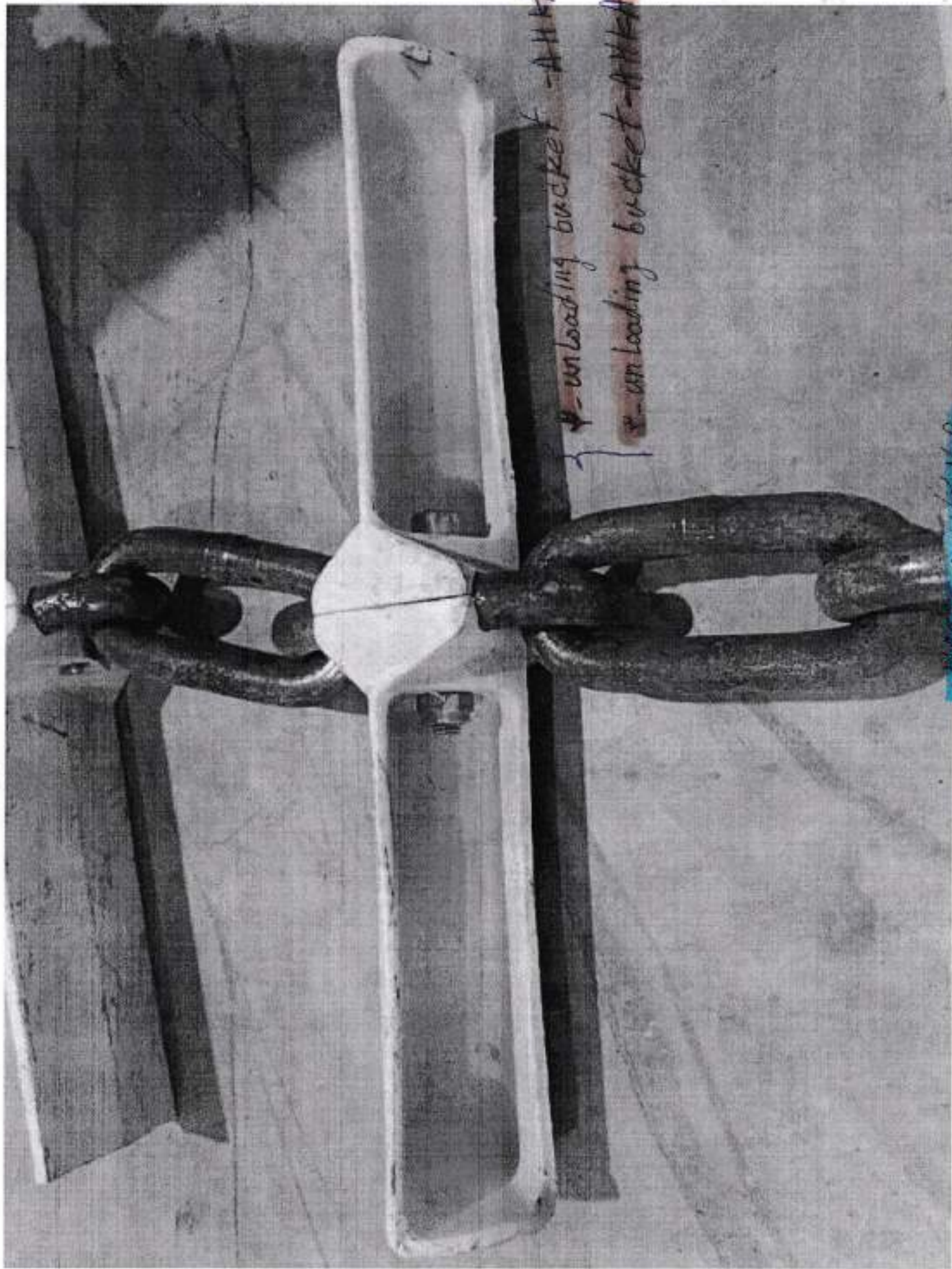
سبابة الورد

UMT-13619-001

AHGL-95069-810

Elevator

✓



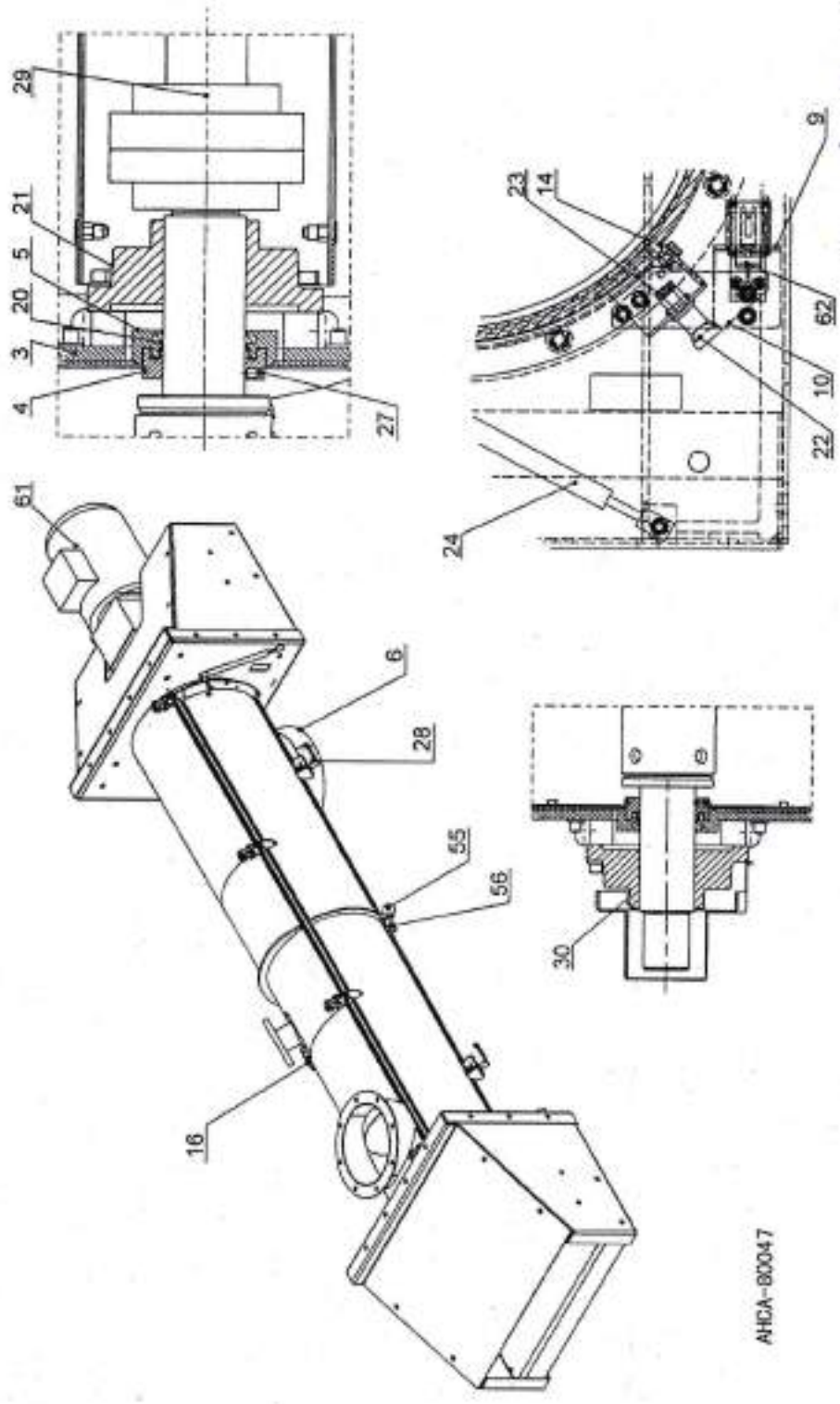
AHKA50

unloading bucket

unloading bucket - AHKA100

CHAIN CONVEYOR

7



AHCA-80047

1-safety door locking
 2-pipe oil gas

AHCA-7994-1-en-0501

©Copyright 2005 Bühler AG

Cond. Honef → Electrical

Y-Plastik Flight AHKA 50

Y-Plastik Flight AHKA 100

فرمان 100% پلاسٹک = 50%

1-Cleaning Vane 50

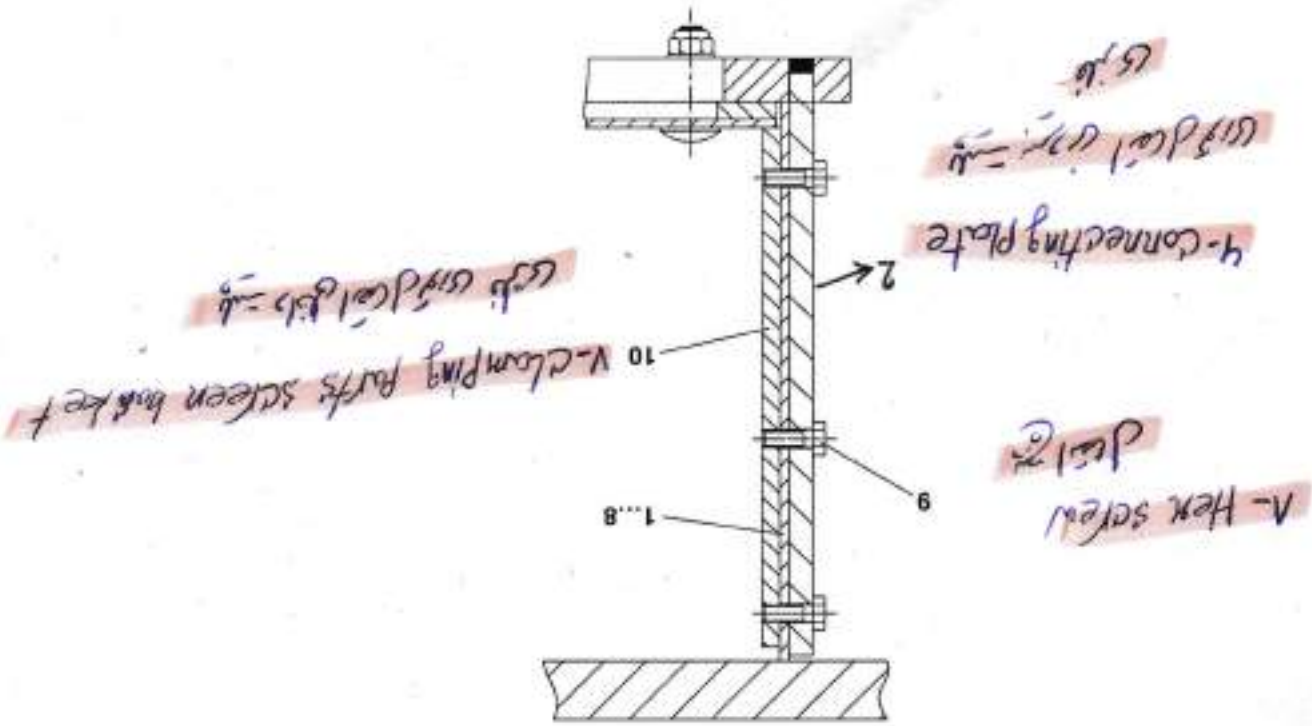
1-Cleaning Vane 100

پتھر نیکو کرنے کے لیے

100 ڈیڑھ دو ڈیڑھ

CHAIN CONVEYOR

HAMMER MILL

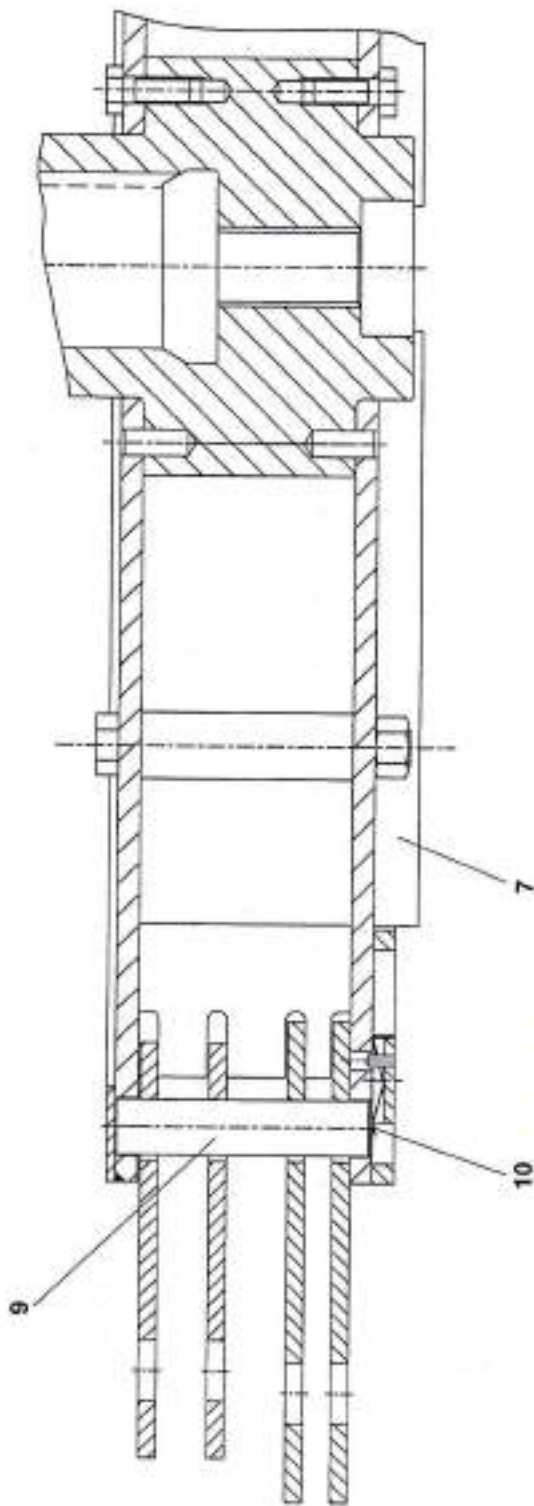


Pos.	Parts no.	Designation
10	DFZK-50040-010	Clamping parts screen basket

A.6 DFZK-95002 Clamping parts

Pos.	Parts no.	Designation
1	DFZK-40008-010	Screen half D = 2,0 mm
2	DFZK-40008-020	Screen half D = 2,5 mm
3	DFZK-40008-030	Screen half D = 3,0 mm
4	DFZK-40008-040	Screen half D = 3,5 mm
5	DFZK-40008-050	Screen half D = 4,0 mm
6	DFZK-40008-060	Screen half D = 5,0 mm
7	DFZK-40008-070	Screen half D = 6,0 mm
8	DFZK-40008-080	Screen half D = 8,0 mm
9	UNN-10008-152	Hexagon bolt M6x16

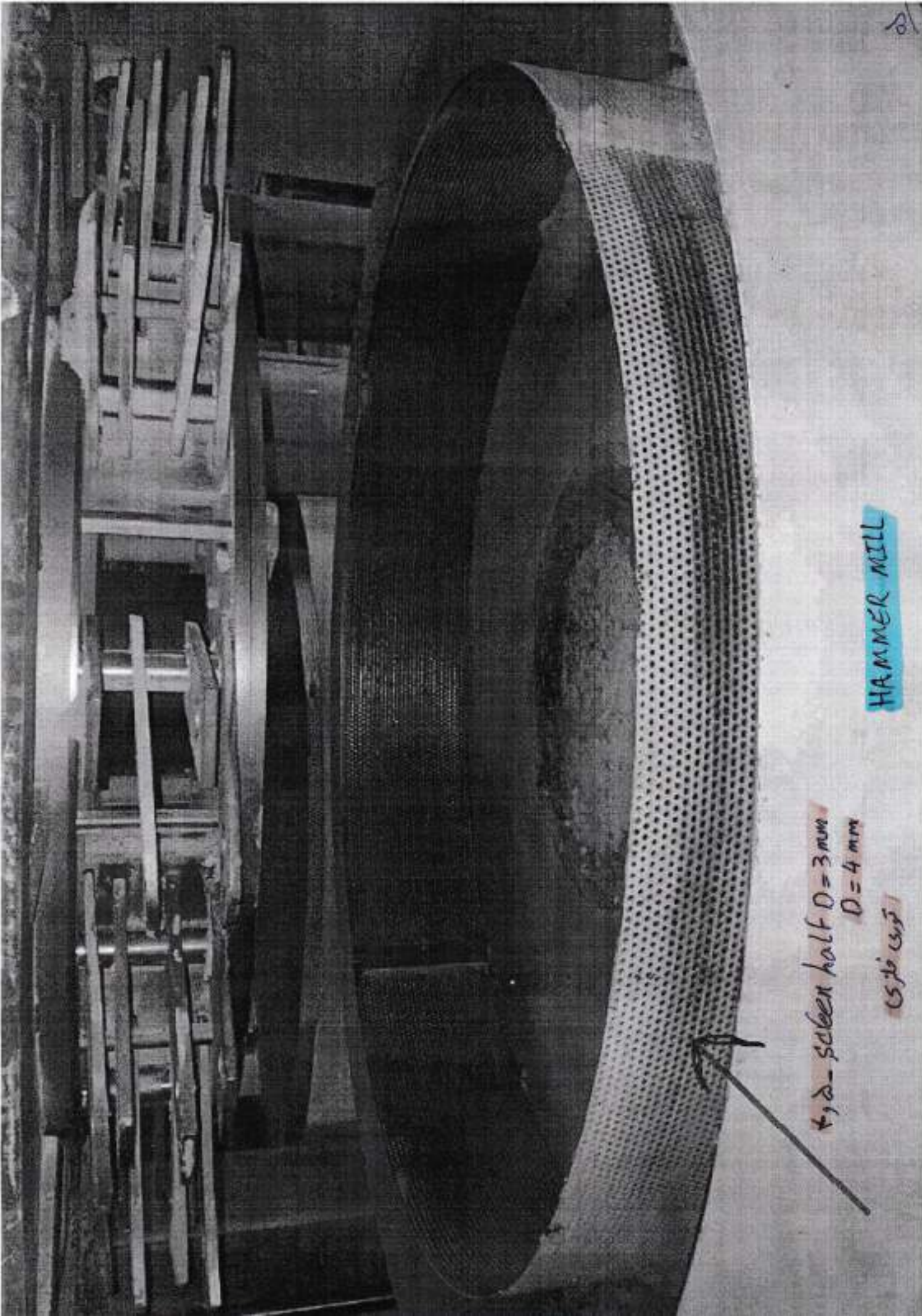
A.5 DFZK-95050 Screens



1 - slide gate
9 - hammers
10 - rotor

HAMMER MILL

1



HAMMER MILL

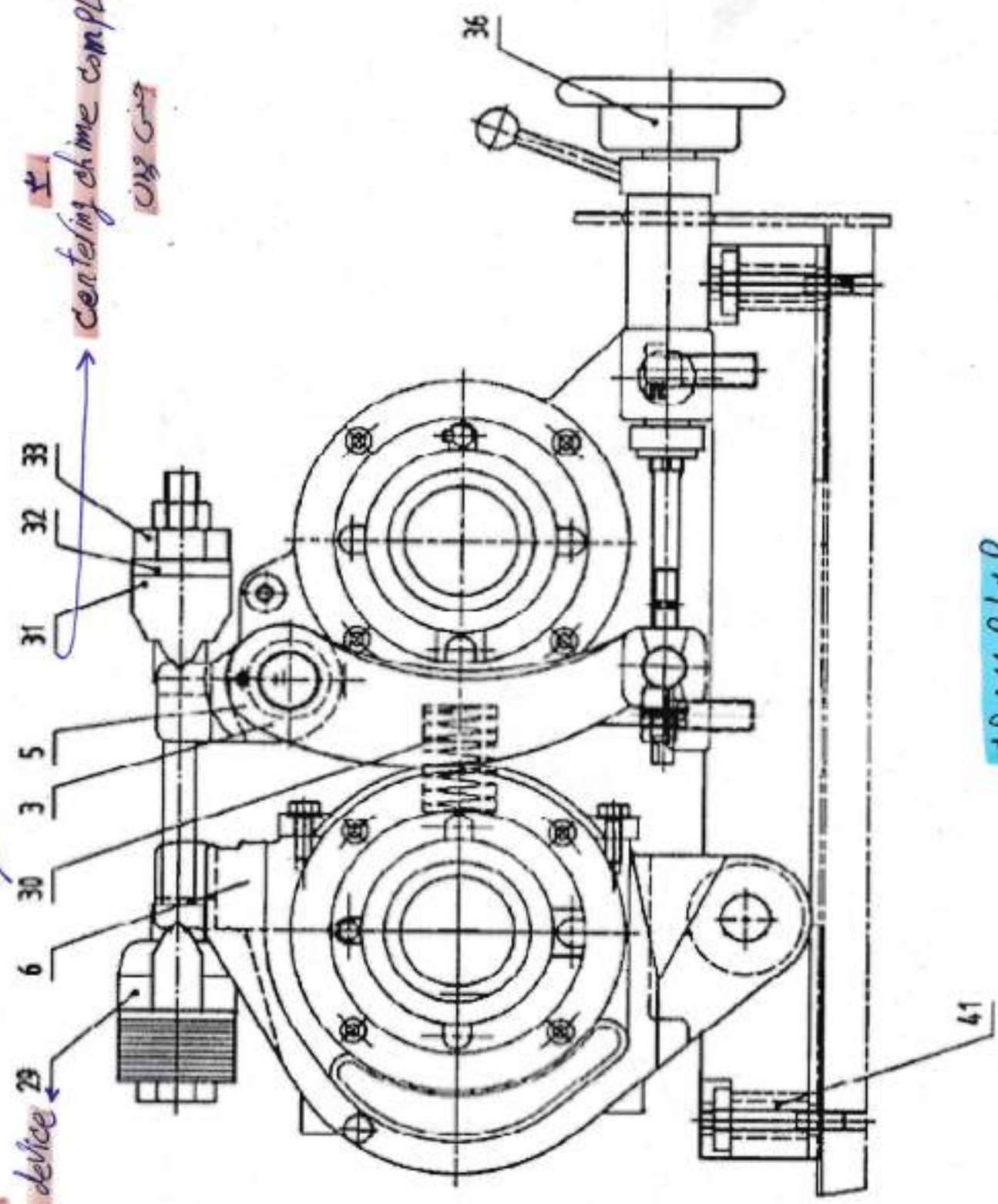
تورى فترى
+ 1/2 - screen half D = 3 mm
D = 4 mm

تورى فترى

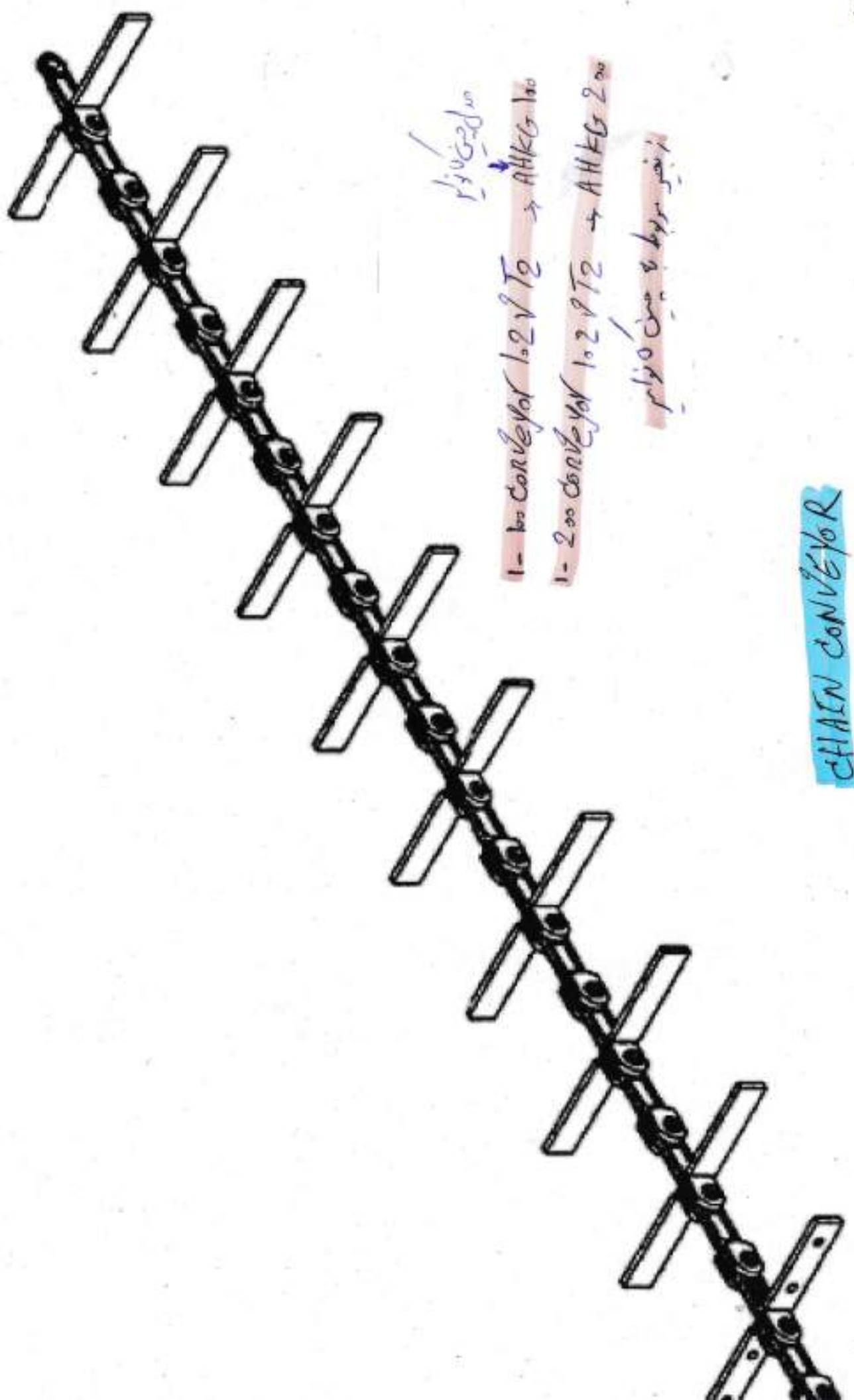
۱. Compression spring → فنر تناوبی

۲. Clamping device → وسیله بستن

۳. centering chime complete
جنگه مرکزی



CRAMBLER



ساخته شده

1- 100 Conveyor 1.2 V T2 → AHKG 100

1- 200 Conveyor 1.2 V T2 → AHKG 200

از فیبر سربوط به چین 5 متر

CHAIN CONVEYOR

Electrical

X-safety door locking

Telemecanique

XCS-ZP7002

24 V = 100 mA

EN 1088

IP67

Sao : 8 mm

Sar : 20 mm



LISTED 21RB
IND. CONT. EQ.



Schneider
Electric



Schneider
Electric

Sao : 8 mm
Sar : 20 mm

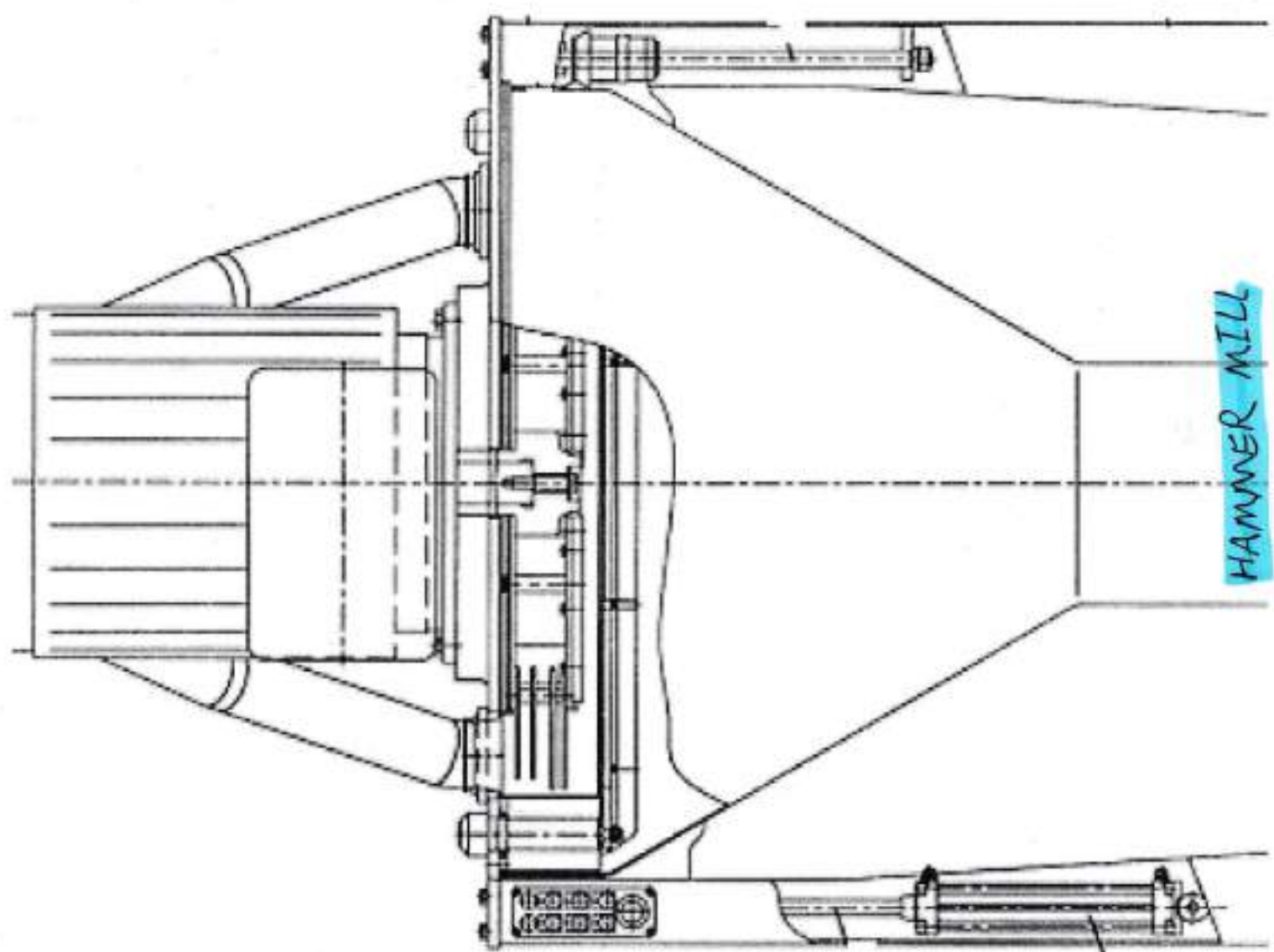
XCS-ZP1

Telemecanique



1046





HAMMER MILL

ref drive stroke

air-5

6