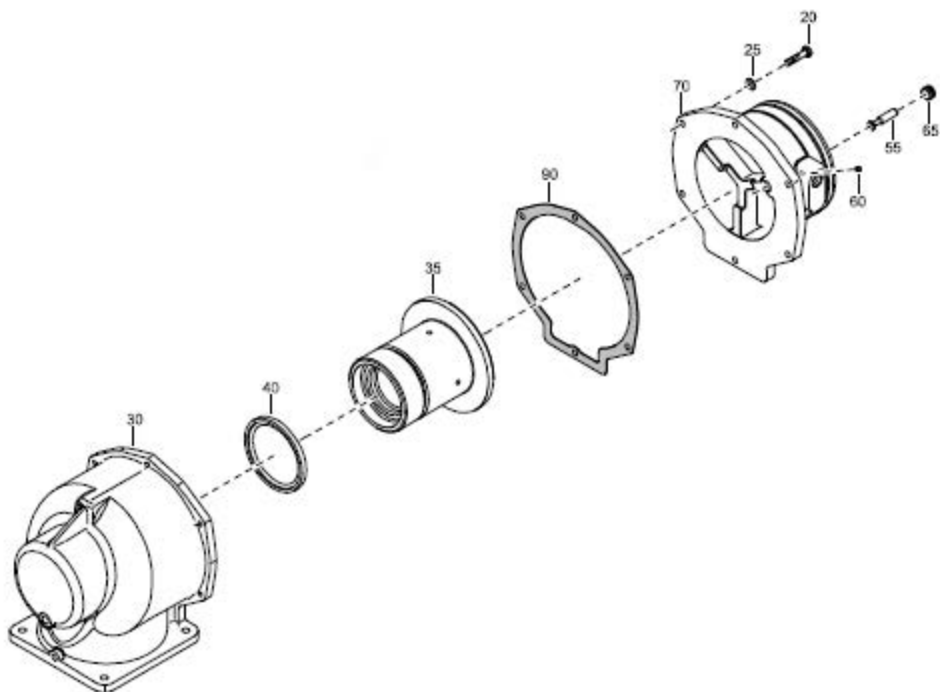




Service kit is a critical part of Compressor, made of high quality raw materials in state of the art manufacturing facility.

Ensuring high performance output and enhanced life of Compressor and parts.

All parts undergo stringent quality control by experienced technicians and engineers.



ZR450-750 KIT

	Qty	Name
•	1	CIRCLIP
•	1	CIRCLIP
•	1	BEARING
•	1	BEARING
•	1	O-RING

