

**FULLY AUTOMATIC STRETCH FILM
WRAPPING MACHINE
MODEL: JOY 1250
CUSTOMER: BEHIN PISHBOARD DATAR CO.**

CE



COMMERCIAL OFFER FOR DEALER

**OFFER NUMBER : CO 2022- 307
DATE : 13 / 07 / 2022**

General Description:	2
Operation:	2
Standard Equipment:	3
Technical Drawing	4
Machine Parameter	5
Conditions of sale:	6

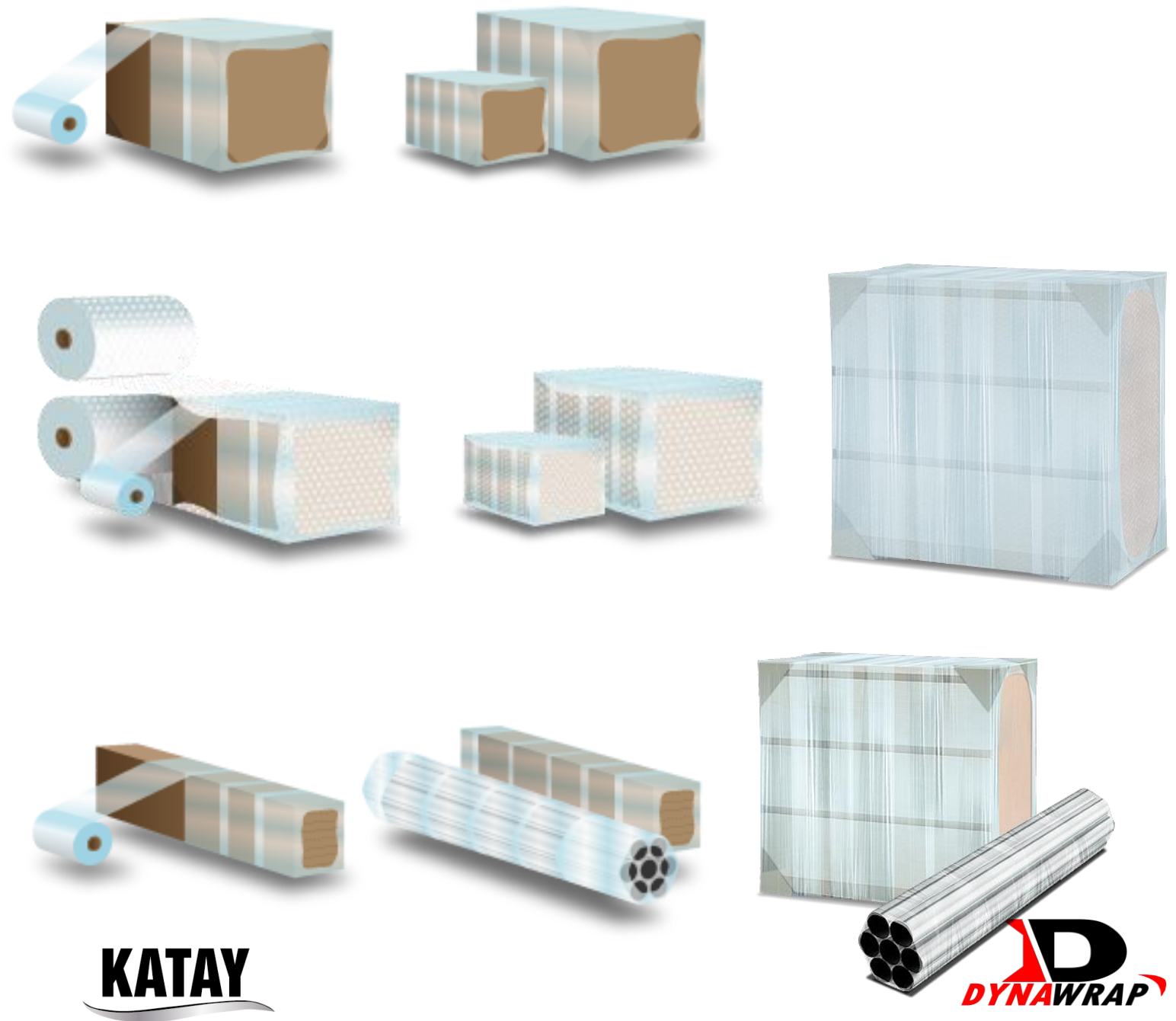


**Download
Our Catalog**

RESULTS

“ALWAYS YOU GET THE SAME PERFECTION”

SAVE TIME AND MONEY WITH DYNAPWRAP



KATAY

D
DYNAPWRAP

KATAY ENGINEERING

Turkey - +90 537 761 58 99
Spain - +34 687 082 600

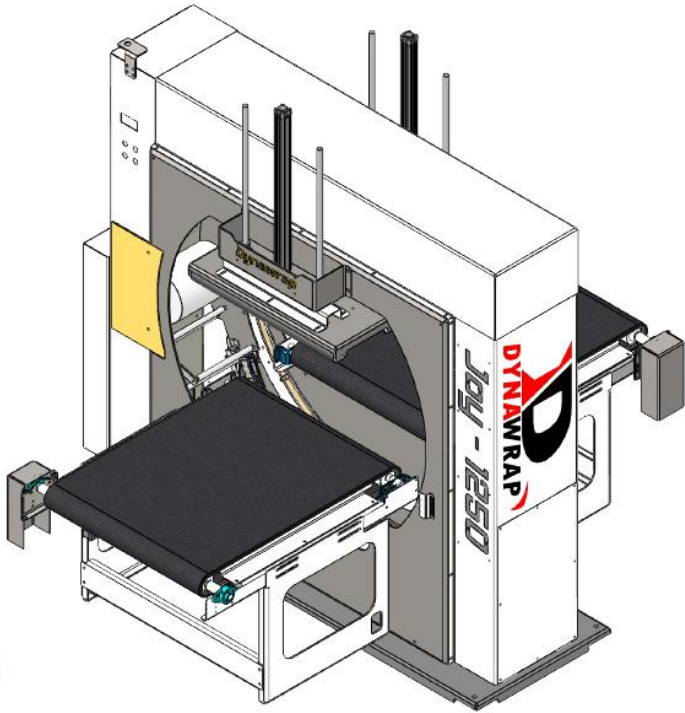
www.dynawrap.eu
dynawrap@katay.com.tr

PAGE
2

FULLY AUTOMATIC STRETCH FILM WRAPPING MACHINE
MODEL: JOY 1250
CUSTOMER: BEHIN PISHBOARD DATAR CO.

General Description

Fully Automatic horizontal stretch film wrapping machine to obtain a maximum protection of the product with the minimum energy and material cost.



**FULLY AUTOMATIC STRETCH FILM
WRAPPING MACHINE
MODEL: JOY 1250
CUSTOMER: BEHIN PISHBOARD DATAR CO.**



**FULLY AUTOMATIC STRETCH FILM
WRAPPING MACHINE
MODEL: JOY 1250
CUSTOMER: BEHIN PISHBOARD DATAR CO.**



**FULLY AUTOMATIC STRETCH FILM
WRAPPING MACHINE
MODEL: JOY 1250
CUSTOMER: BEHIN PISHBOARD DATAR CO.**



KATAY

D
DYNAWRAP

KATAY ENGINEERING

Turkey - +90 537 761 58 99
Spain - +34 687 082 600

www.dynawrap.eu
dynawrap@katay.com.tr

PAGE
6

Machine Operation

JOY 1250 packaging machine consist of an optional welding unit of Bubble Film or PE Film and a horizontal wrapping unit applying stretch film.

The packaging process is performed in one phases as wrapping with stretch film horizontally leaving fully closed and locked edges and sides in a fully cost effective way.

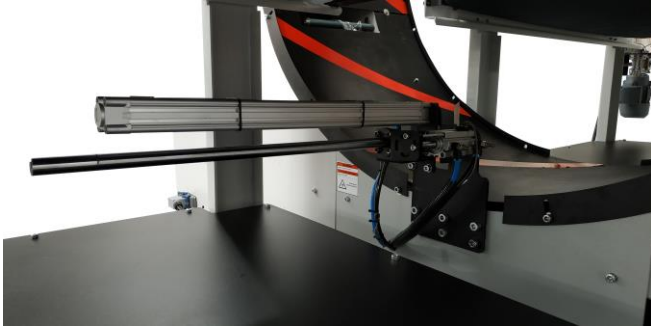


Standard Equipment

- Electronic Invertor conveyor speed
- Line speed / wrapping speed
- Photocell transmitter and receiver
- Vertical Photocell
- Gemo Control Panel
- Emergency stops
- Manual Top Presses / Infeed and Exit

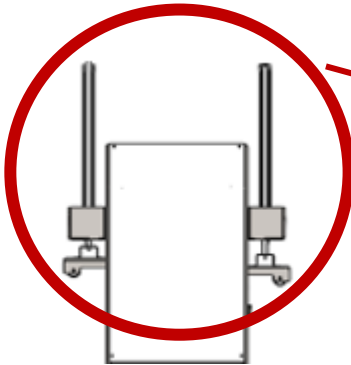
Fully Automatic Stretch Film Wrapping Machine

Standart Equipment @ Dynawrap Pro's



**Automatic Stretch Film Clamping
& Cutting Unit**

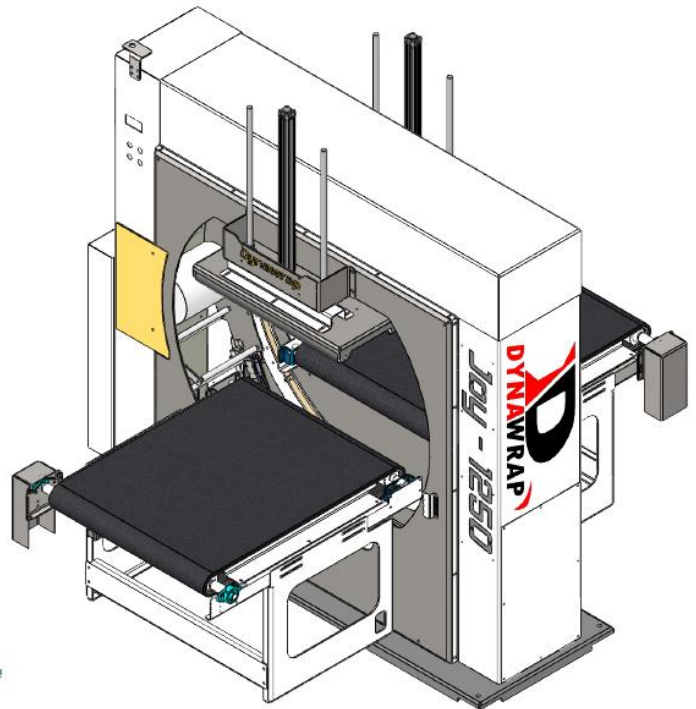
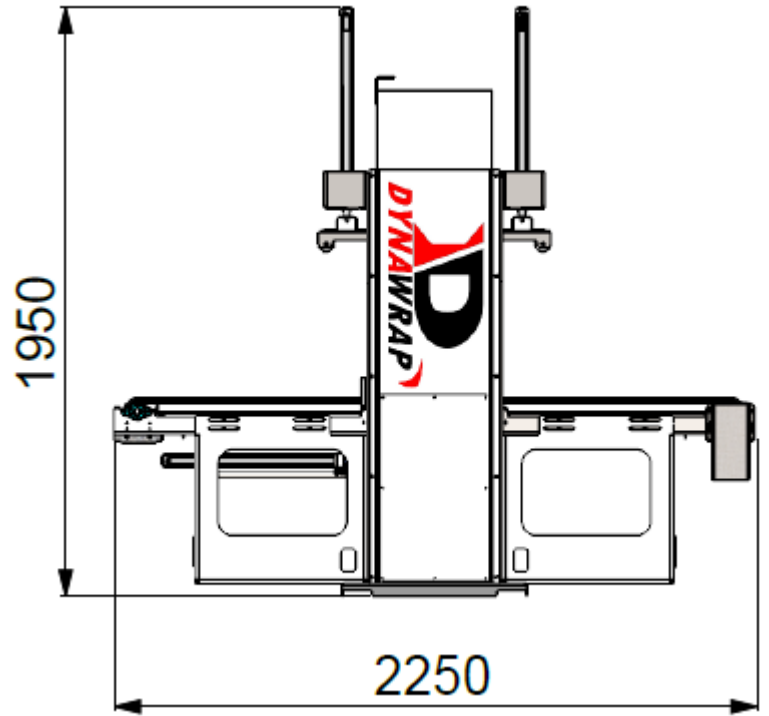
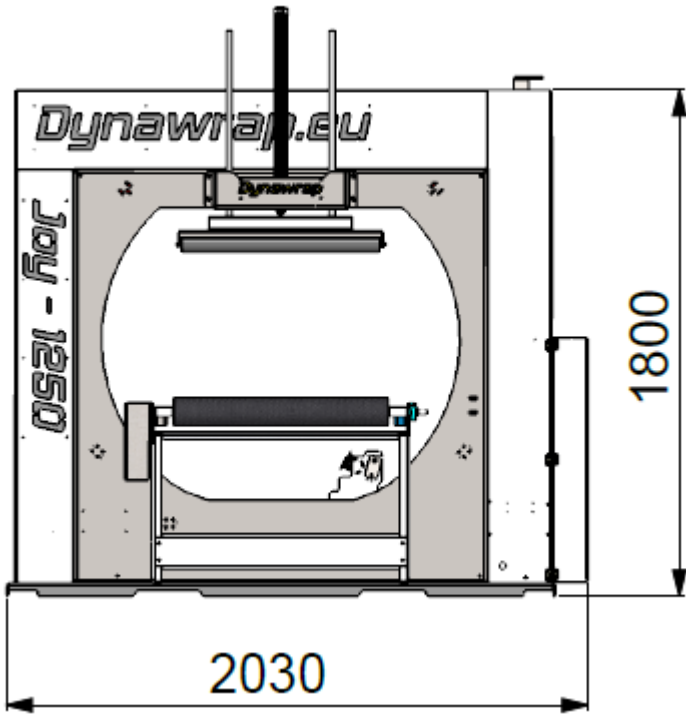
Storage Rack for Stretch Film



**Manual Infeed and Outfeed
Top Presses**

Fully Automatic Stretch Film Wrapping Machine - Model: Pro 1250

Technical Features



Fully Automatic Stretch Film Wrapping Machine - Model: JOY 1250

Technical Features

JOY 1250 A WRAPPING

TECHNICAL SPECIFICATIONS ESPECIFICACIONES TÉCNICAS

MACHINE FEATURES / CARACTERISTICAS DE LA MÁQUINA

Level Of Automation/ Nivel de Automacion	Full Automatic / Automático
Ring Diameter/Diametro Interior (mm)	1260
Machine Total Length (mm) / Largo de la Máquina	2250
Total Weight (kg) / Peso Total	590 kg
Max. Rotation Speed (Rpm) / Velocidad (rpm)	60
Power supply voltage/Voltage (V)	220 V 1Ph+N 50/60 Hz
Installed total power (kw) / Potencia total (kw)	0.75kw (One Electric Motor)
Crown Weight (kg)	23,10kg
Min. Packing / Producto Mínimo (mm)	100x18x450 (With Short Part Bridge)
Working Pressure/ Presion (Bar)	6±1

CONVEYOR FEATURES (BELT TYPE) / CARACTERISTICAS DE TRANSPORTADORA

Conveyor Height / Altura de Transportadora (mm)	870-900
Infeed Conveyor Length (Useful) (mm) / Largo Transportadora Entrada	1050
Outfeed Conveyor Lengths (mm) / Largo Transportadora Salida	1050
Conveyor width (mm) / Anchura transportadora	750
Max. Load Capacity (kg/m) / Capacidad de Carga	60 kg/m

FILM (PE/PVC)

Recommended Film thickness (µm) / Grosor	23, 30, 35
Film width (mm) / Anchura Film	170
Max. External diameter of foil / Diametro Bobina Exterior (mm)	220
Core diameter of foil (mm) / Diametro Bobina	76

Fully Automatic Stretch Film Wrapping Machine

JOY SERIES

Production



Fully Automatic Stretch Film Wrapping Machine - Model: Joy 1250

Terms and Conditions

Price and Payment:

DYNARAP Joy 1250 Fully Automatic Machine Wrapping Unit	10.000,00 USD
DEALER OR SPECIAL CUSTOMER DISCOUNT (30%)	-3.000,00 USD
TOTAL	7.000,00 USD

INCOTERMS EXWORKS ESKİSEHİR/TURKEY

Shipment / Insurance

NOT INCLUDED

Installation and Start Up:

- Installation Start-up and training (Approx. 2 days)
- Field INSTALLATION AVAILABLE FLIGHT AND ACCOMODATION COSTS ARE ON THE CUSTOMERS SIDE.

Payment Terms:

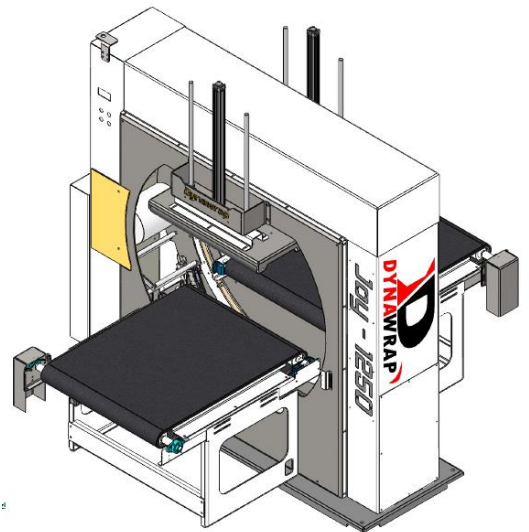
- 40% Advance
- 60% Before the shipment

Shipment:

- Within 6 weeks

Validity :

- 30 days.



Fully Automatic Stretch Film Wrapping Machine

PRO SERIES



is at 4 continents
over 30 countries

