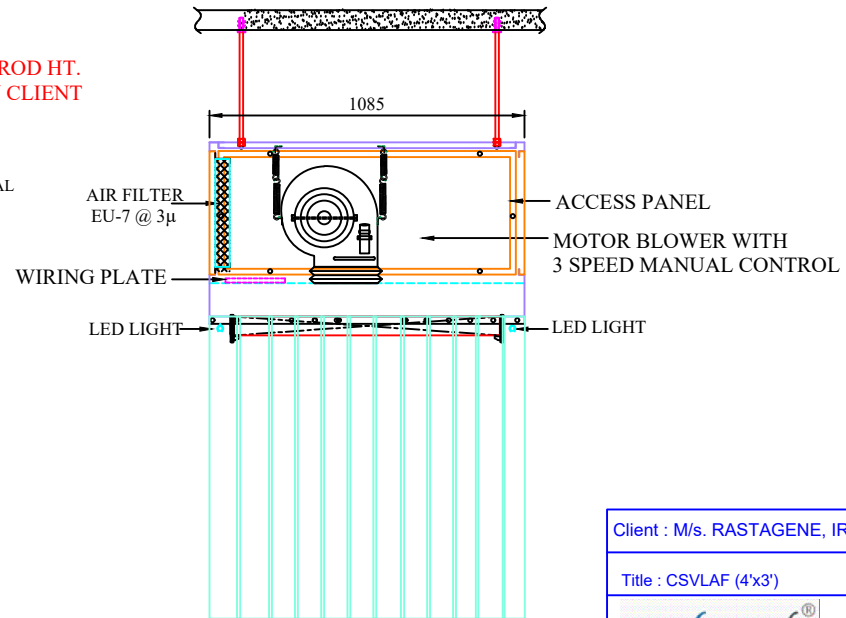
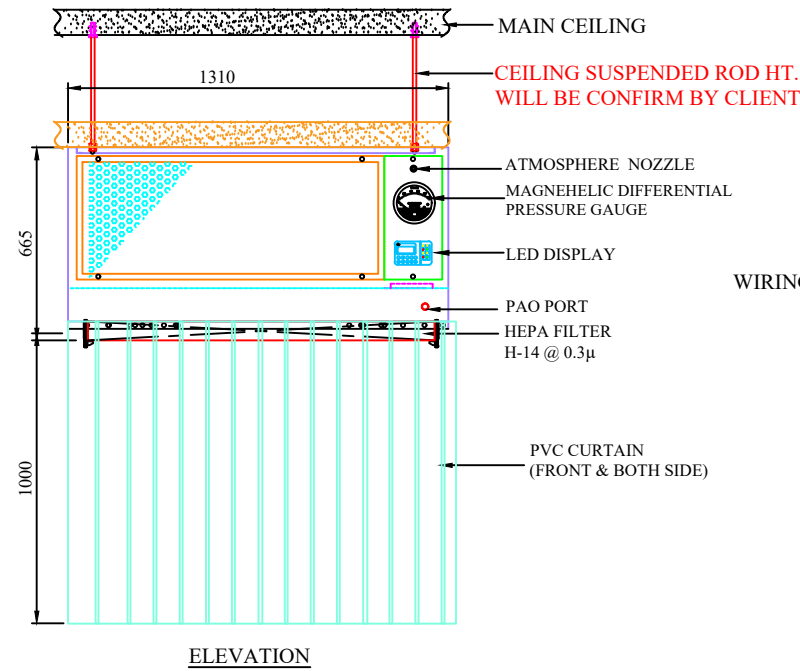
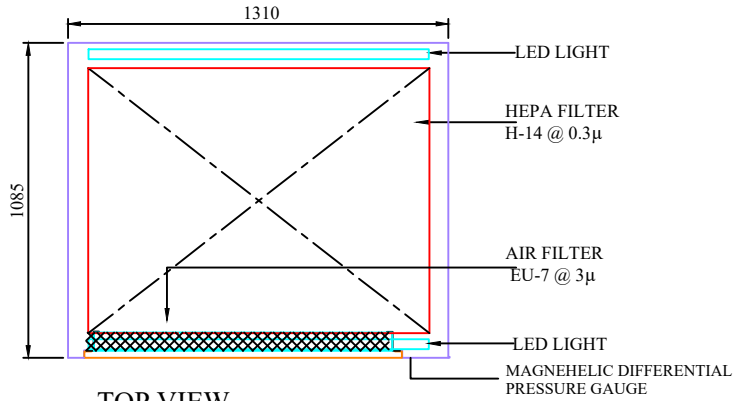


# CSVLAF-VIAL FILLING & RUBBER STOP RTP BACKSIDE

MOC-SS 304,1.2 MM THK  
QTY.-01 No.



Client : M/s. RASTAGENE, IRAN	
Title : CSVLAF (4'x3')	
	Office : 717, Janki Centre, Off. Veera Desai Road, Andheri (West), Mumbai - 400 053. e-mail: mails@fabtecheng.com

02.						Dwg. By	Chd. By	DWG. NO :	Date
01.						PATTANAYAK		FTIL-R-CSVLAF-28766	28-05-2021
No.	Description	Date	Name	Rev				Storename : E:\ RASTAGENE, IRAN	