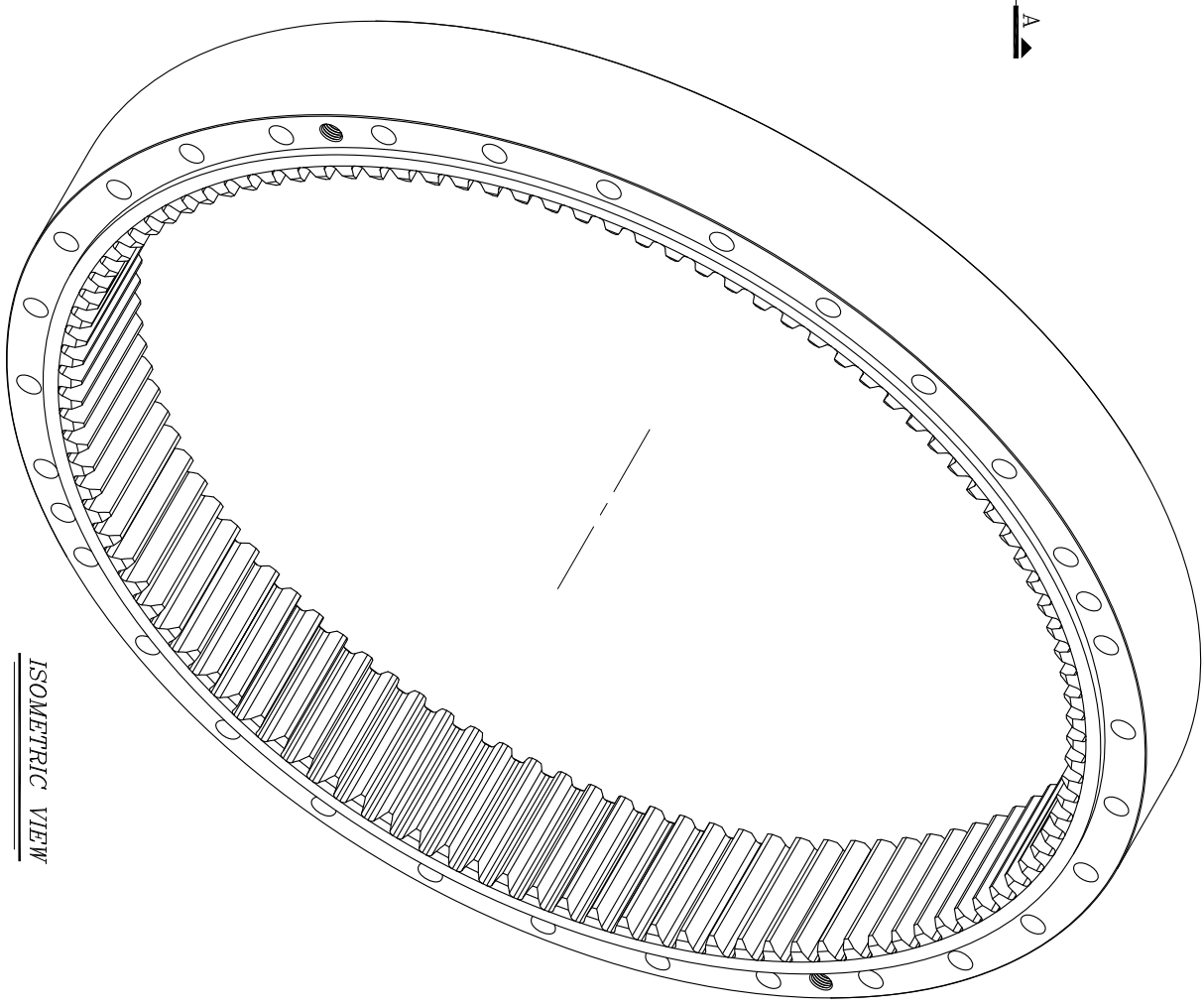
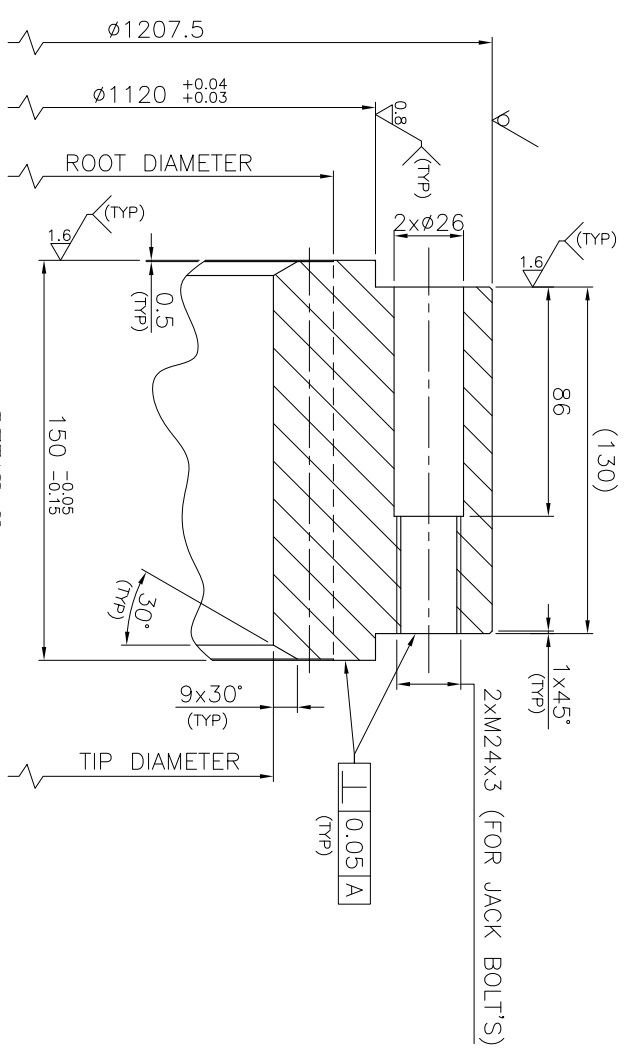


GEAR PARAMETERS

Normal Module (mm)	10
No. of Teeth (Z)	104
Pressure Angle	20°
Helix Angle	0°
Root Diameter	1088.47 $\begin{matrix} -0.1 \\ -0.1 \end{matrix}$
Tip Diameter	1043.46 $\begin{matrix} -0.1 \\ +0.04 \end{matrix}$
Under Pin (Pin $\phi 16$)	1043.20 $\begin{matrix} -0.1 \\ +0.04 \end{matrix}$
Center Distance (Planet to Ring)	307.5
Center Distance (Planet to Sun)	307.5
Gear Quality (AGMA 2000-A88)	Class 6 or Better



NOTE 3 : DRAWING NO. DUMAN CO. : DS.045.99.000.03.02.00 .
 NOTE 2 : HARDNESS 35±3 HRC .
 NOTE 1 : UNSPECIFIED TOLERANCES TO BE ACCORDING TO DIN 7168 CLASS (M).

SCALE : 1:5

FORMAT: A2	LINE: II	
DRAWN	DATE	NAME
CHECKED	DATE	NAME
APPROVED	DATE	NAME
ANG. PROJ.		



INTERN TOOTHED GEAR WHEEL
 Pos 0306 PLANDER PART LIST - STAGE 1
 PLEASE REFER TO D.W.G. NO. 8898116

TITLE:	QTY.: 1			
DRAWING NO.:	REV DRAWING	MATERIAL	WEIGHT	SHEET
K.C.C.99-06-006-2	34C+N:M06		260 Kg	2 of 3