

**FULLY AUTOMATIC HORIZONTAL
STRETCH FILM WRAPPING MACHINE WITH
INTEGRATED AIR BUBBLE WELDING UNIT
MODEL: **DYNAWRAP PRO 1400 W**
DESIGN: DELUXE**



DETAIL SPECIFICATION

DATE : 06 / 06/ 2023

General Description:	2
Pro Series Operation:	3
Standard Equipment:	4-8
Technical Features:	9-11
Wrapping Lines:	12-13
Optional Equipment:	14-17
Packing & Production:	18-20
Condition of Sales	21-24



**Download
Our Catalog**

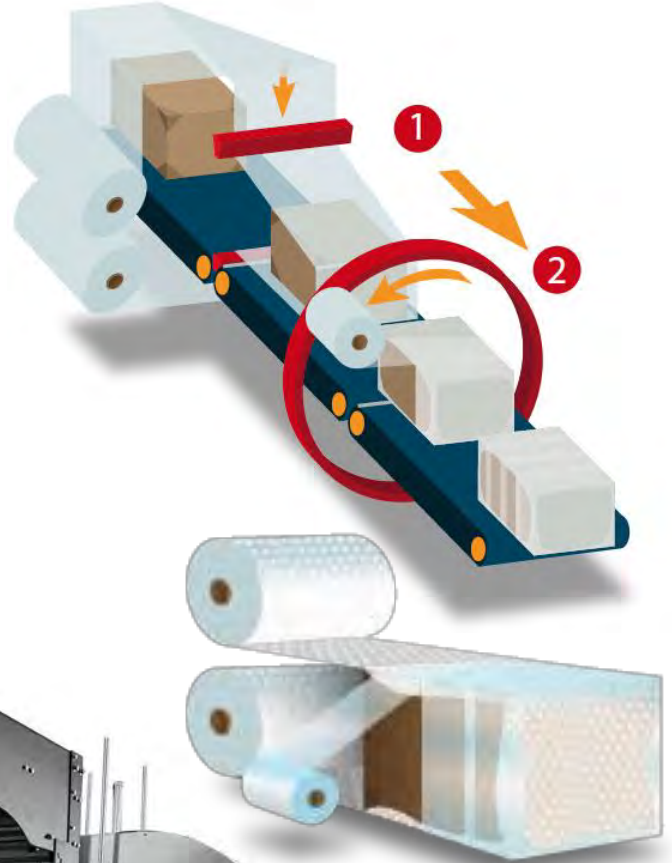
FULLY AUTOMATIC HORIZONTAL STRETCH FILM WRAPPING MACHINE

MODEL: **DYNAWRAP PRO 1400 W**

APPLICATION: STRETCH FILM WITH BUBLE WRAP

General Description

Fully automated horizontal stretch film wrapping machine (2) with air bubble welding unit integrated (1) to obtain a maximum protection of the product with the minimum energy and material cost.



KATAY

DYNAWRAP

Fully Automatic Stretch Film Wrapping Machine

PRO SERIES

PRO Machine Operation

PRO packaging machines consist of a welding unit of Bubble Film or PE Film and a horizontal wrapping unit applying stretch film.

The packaging process is performed in one phases as wrapping with stretch film horizontally leaving fully closed and locked edges and sides in a fully cost effective way.

You can set any parameter from the screen as seen on the left side like conveyor speed, stretching speed etc. depending on your product and you can save as much setting as you want and reload it from menu when you need it.



This is the user-friendly working page where you can start and stop and re-call setted parametrs easily



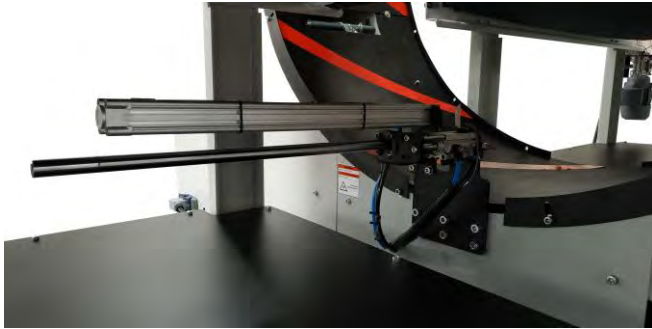
Standard Equipment

- Conveyor Belts stop selector
- Electronic Invertor conveyor speed
- Line speed / wrapping speed
- Photocell transmitter and receiver
- Vertical Photocell
- 7 inch Smart Touch Panel
- Package Counter
- Quick reel changeover system
- Conveyor reverse
- Pressure rolls On/Off
- Wrapping Modes
- Recipes
- Emergency stops
- Extra Wrap Selection

Fully Automatic Stretch Film Wrapping Machine

PRO SERIES

Standart Equipment @ Pro's



**Automatic Stretch Film Clamping
& Cutting Unit**

Storage Rack for Stretch Film



**Automatic Infeed and Outfeed
Pressure Rollers**

Can be set on or off as desired



**Motorised infeed and outfeed
conveyors with Italian anti-slip
type Green Belt**

Fully Automatic Stretch Film Wrapping Machine

PRO SERIES

Standard Equipment @ Dynawrap Pro's



7" Touch Panel Screen

- Creating and saving programmes for different products
- Unlimited Programme Saving
- Wrap counter
- Remotly Accessable

Efficiency Smart Drive System

Smart tambour design to save energy and reduce stretch film cost

Schneider Emergency Buttons

Easily accessible emergency stop buttons all around the machine

CE Certificate and Safety Barriers

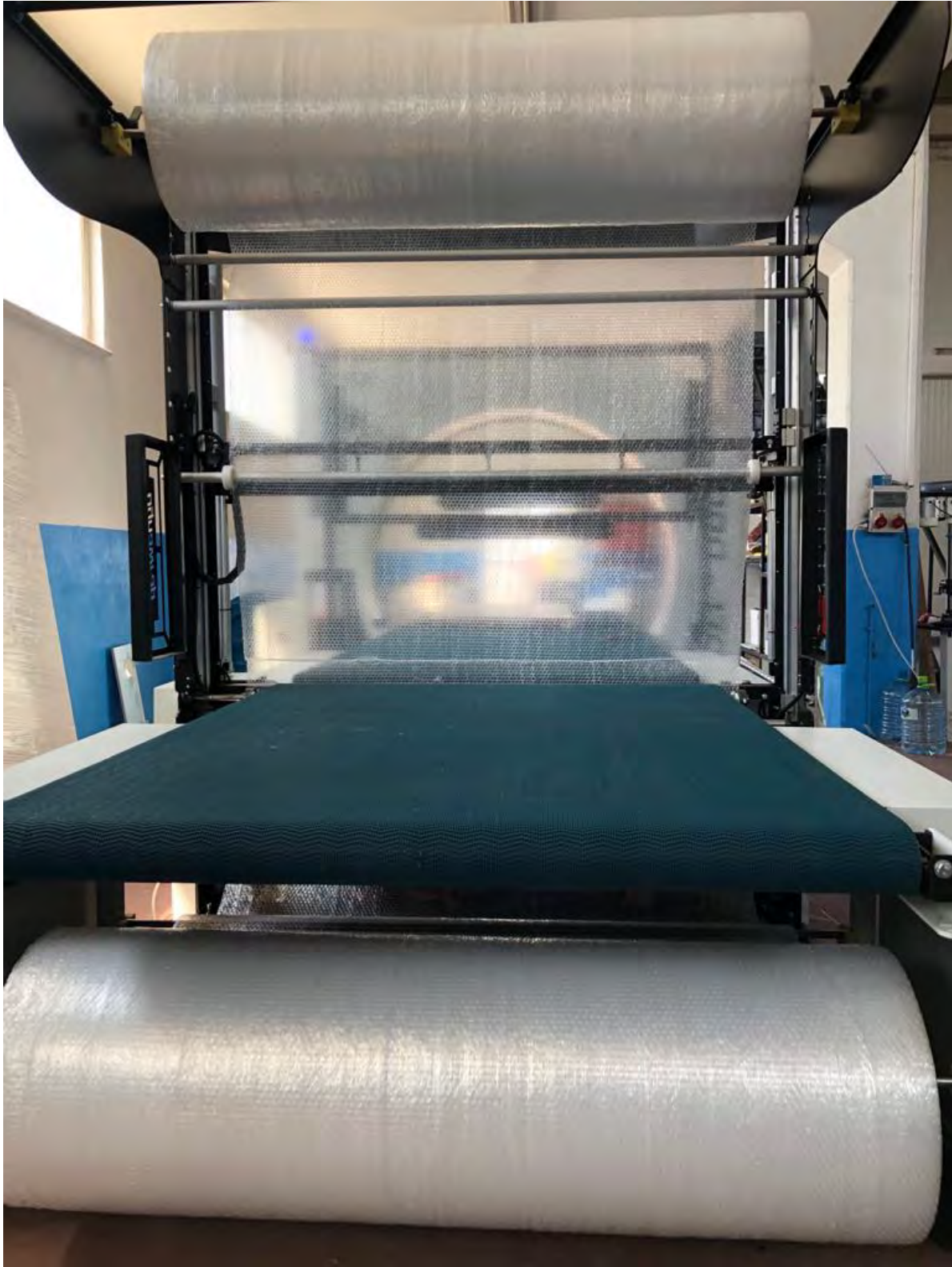
- CE / UL Certified
- Emergency barriers



Fully Automatic Stretch Film Wrapping Machine

PRO SERIES

Air Bubble Welding Unit



Fully Automatic Stretch Film Wrapping Machine

PRO SERIES

Technical Features



Air Bubble Unwinders

- Web Guides
- 2 unwinding rolls at upper side
- 2 unwinding rolls at lower side

CE Safety Bars and additional buttons to control welding unit



Fully Automatic Welding Unit

- Tensioning System for bubble wrap
- Sensor and time controlled bubble/foam welding and cutting unit

Fully Automatic Stretch Film Wrapping Machine

PRO SERIES

Standard Equipment @ Dynawrap Pro



Cutting Unit

- Strong Chassis
- Pusher property
- Ultra-Sharpened long life titanium blades



Short Part Bridge

- Adjustable strong mechanism
- Optional motorize bridge



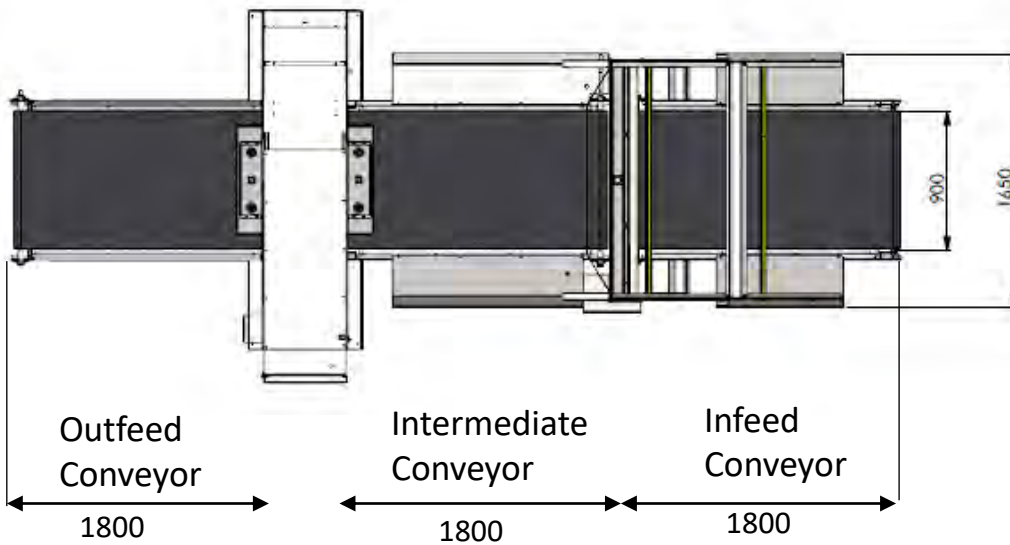
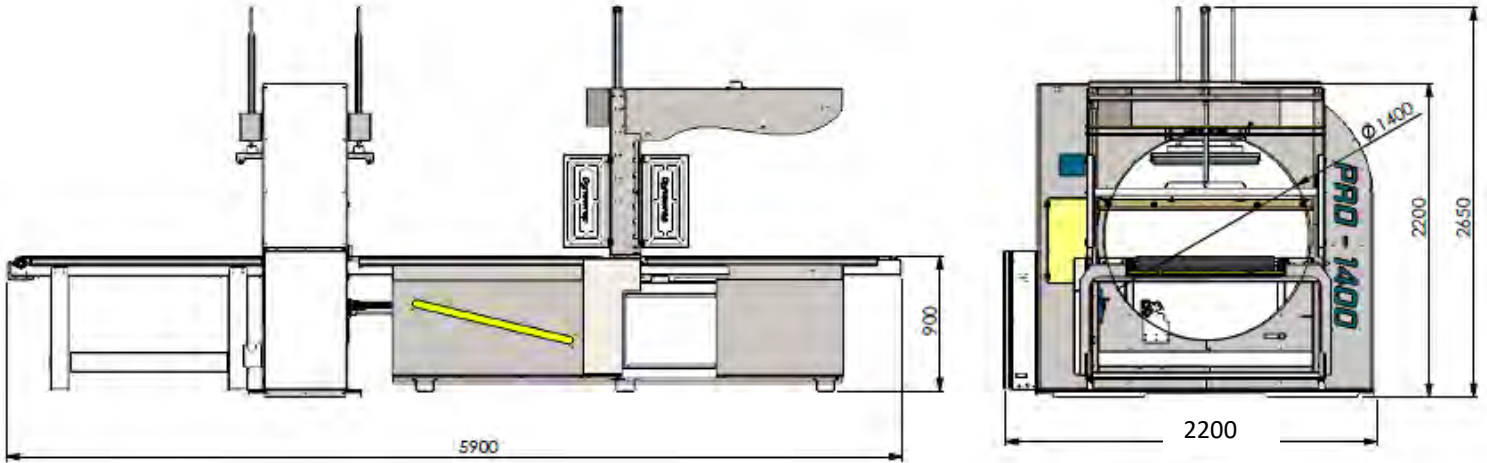
Connectors

- Connectors for easy commissioning and maintenance

Fully Automatic Stretch Film Wrapping Machine

PRO SERIES

Technical Features



MODEL	PRO1400W
Net Passing Diameter (mm)	1360
X-Machine Width (mm)	2600
Z-H-Max. Height (mm)*	2200-2650
H1-Conveyor Height (mm)	870-900
Conveyor Belt Width (mm)	900
Y1-Infeed Connveyor Length (mm)	3600
Y2-Outfeed Connveyor Length (mm)	1800
Y-Total Machine Length (mm)	5950
Max. Carrying Capacity (kg/m)	140
Max. Rotational Velocity (rpm)	120
Total Weight (kg)	1450
Installed Power (kw)	3.65
Power Supply Voltage (V)	400V 3Ph+N 50/60 Hz
Pressure (Bar)	5-7

* With or Without TOP PRESSES.

Fully Automatic Stretch Film Wrapping Machine

PRO SERIES

MACHINE FEATURES /CARACTERISTICAS DE LA MÁQUINA

Level Of Automation/ Nivel de Automacion	Full Automatic / Automático
Ring Diameter/Diametro Interior (mm)	1400
Machine Total Length (mm) / Largo de la Máquina	5900
Total Weight (kg) / Peso Total	1450
Max. Rotation Speed (Rpm) /Velocidad (rpm)	60
Power supply voltage/Voltage (V)	400 V 3Ph+N 50/60 Hz
Installed total power (kw) /Potencia total (kw)	4.4 kw
Max. Bubble Wrap Width (mm) / Anchura Burbuja Max.	1350
Min. Packing / Producto Minimo (mm)	100x18x550 (With Short Part Bridge)
Working Pressure/ Presion (Bar)	6±1

CONVEYOR FEATURES (BELT TYPE) / CARACTERISTICAS DE TRANSPORTADORA

Conveyor Height / Altura de Transportadora (mm)	870-900
Infeed Conveyor Length (Useful) (mm) / Largo Transportadora Entrada	1800
Intermediate Conveyor length (mm) / Transportadora en medio	1800
Outfeed Conveyor Lengths (mm) / Largo Transportadora Salida	1800
Conveyor width (mm) / Anchura transportadora	900
Total Length (mm) / Largo transportadora	1820
Conveyor Speed (m/min) /Velocidad de Transportadora	10
Max. Load Capacity (kg/m) / Capacidad de Carga	150 kg/m
Electric Motor Power (kw) / Potencia Motor Transportadora	0.75 x 2

FILM (PE/PVC)

Recommended Film thickness (µm) /Grosor	23, 30, 35
Film width (mm) /Anchura Film	250
Max. External diameter of foil /Diametro Bobina Exterior (mm)	250
Core diameter of foil (mm) / Diametro Bobina	76

WELDING UNIT FEATURES

Max. Bubble Wrap Width (mm) / Anchura Burbuja Max.	1350
Outer Diameter (mm) / Diametro Exterior	720
Core diameter of foil (mm) / Diametro Bobina	20 / 38 / 76 (Adaptable)
Cutting and Welding System Operating Temperature	0-180°C (Digital Control)
Recommended Welding Unit Working Temperature	90°C-140°C

Suitable Products Small Bubble Wrap, Heavy Duty Bubble Wrap, Extra Large Bubble Wrap, Foam Wrap Roll, Plastic Wrap Roll

Fully Automatic Stretch Film Wrapping Machine

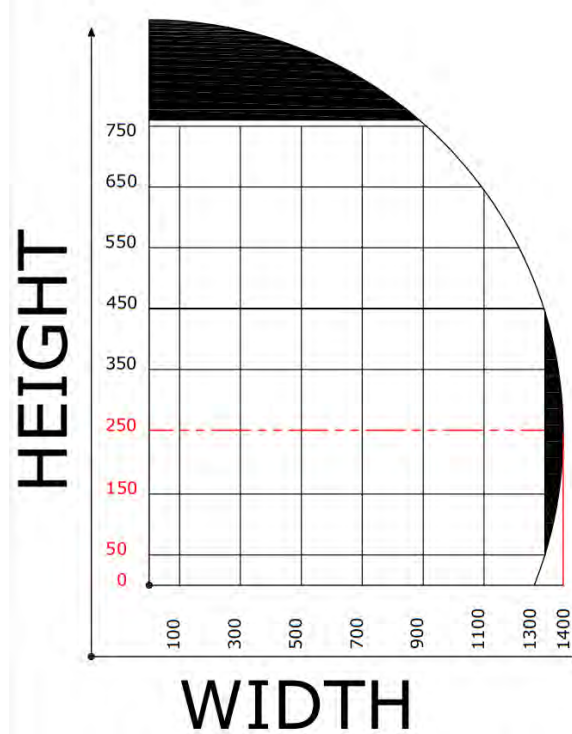
PRO SERIES

COMPONENTS AND BRANDS / MARCAS Y LOS COMPONENTES

**SMART SINGLE PANEL CONTROL / PANTALLA INTELIGENTE

Drive Motor / Motor de Corona	VOLT Motor 1,5 kw (TR)
Reducer for Motor / Reductores Motor	POLAT(TR) / IMAK (TR)
Conveyor / Cinta Transportadora	Motorised Belt Type (Megadyne-Italy)
Conveyor Motor / Motor Transportadora	VOLT Motor 0,375 kw x 2 (TR)
PLC	SCHNEIDER / BEIJER (SWEEDEN)
Drivers	SCHNEIDER (FRANCE)
Smart Touch Panel / Pantalla Tactil	SCHNEIDER / BEIJER (SWEEDEN)
Smart Touch Panel / Pantalla Tactil	7 inch High Resolution 800x480 pixel (16:9)
Smart Touch Panel / Pantalla Tactil	Ethernet, USB, 4 x serial
Emergency Stop/ Boton de Emergencia	SCHNEIDER (FRANCE)
24V Power Supply / Fuente de Poder	OMRON (JAPAN)
SSR RELAY / SSR RELE	SCHNEIDER / CROUZET (FRANCE)
Contactora / Contactador	SCHNEIDER (FRANCE)
Sensors / Sensores	PEPPERL FUCHS / (GERMANY)

Wrapping Capability Chart:



Pro 1400 V2

Fully Automatic Stretch Film Wrapping Machine

PRO SERIES

Wrapping Lines at Customer Site



Fully Automatic Stretch Film Wrapping Machine

PRO SERIES

Wrapping Lines at Customer Sites



Fully Automatic Stretch Film Wrapping Machine

PRO SERIES

Technical Features of Optional Barcode Printer:



Desktop Printers

GE300 / GE330

Economical 4" Thermal Transfer Desktop Printer

Use the GE300 for all your light to medium duty thermal transfer barcode printing applications



Ethernet, Serial and USB ports included



Uses standard low-cost labels and ribbons



High cost-effectiveness for large amount printing



Free labeling software GoLabel for easy printing

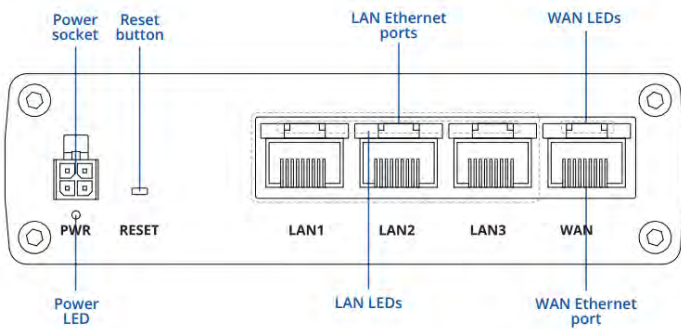
Fully Automatic Stretch Film Wrapping Machine

PRO SERIES

Technical Features of Optionl Wifi Remote Access Router:



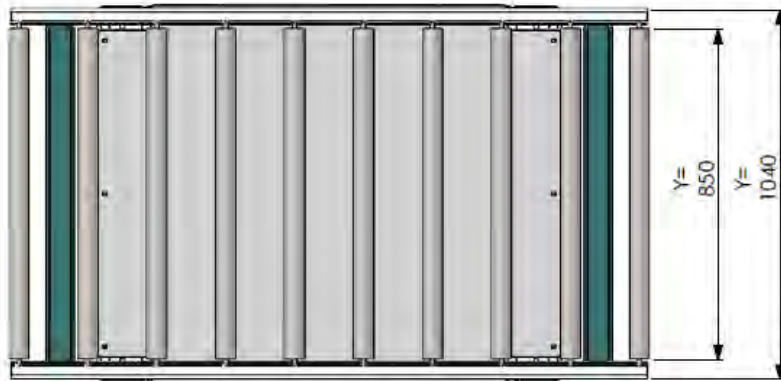
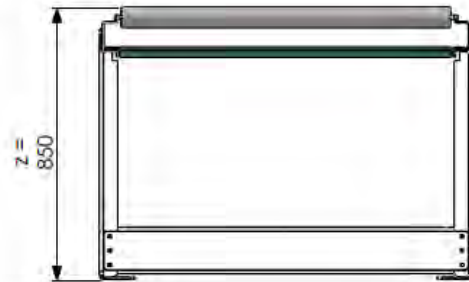
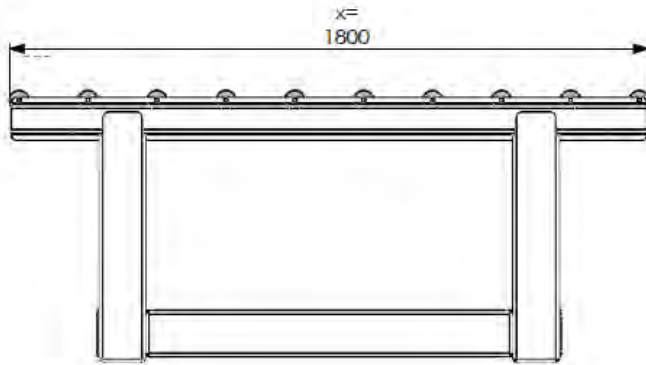
RMS | REMOTE MANAGEMENT SYSTEM
COMPATIBLE WITH RUTX08
 MANAGEMENT | ALERTS | CONFIGURATION | ACCESS | FOTA



Fully Automatic Stretch Film Wrapping Machine

PRO SERIES

Technical Features of Optional Manual Conveyors :

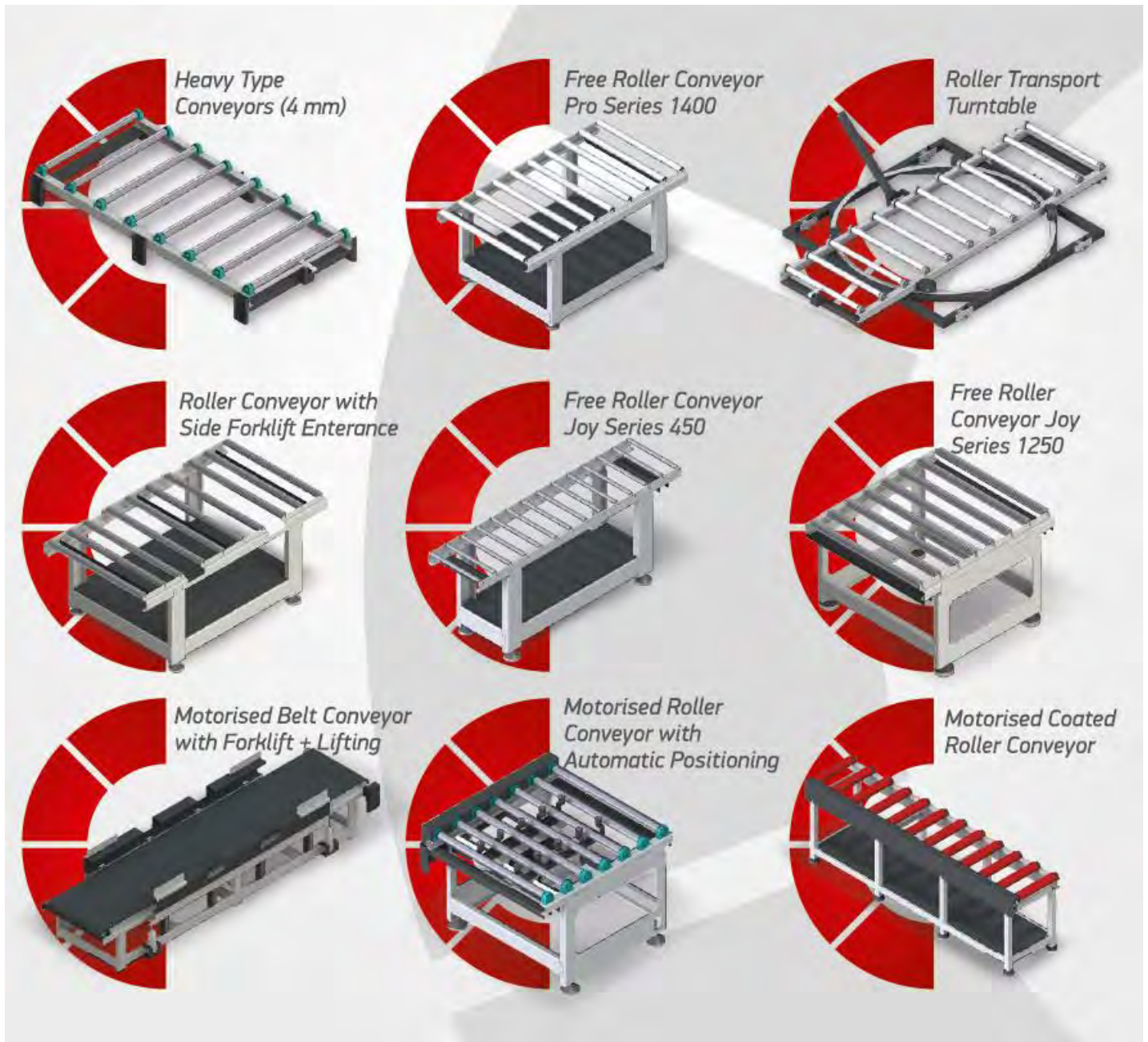


MANUAL CONVEYORS	PRO 600	PRO 1100	PRO 1400	PRO 1700
Width (mm)	400	750	900	1200
Length (mm)	1300/1800	1300/1800	1300/1800	1300/1800
Height (mm)	700	870-900	870-900	870-900

Fully Automatic Stretch Film Wrapping Machine

PRO SERIES

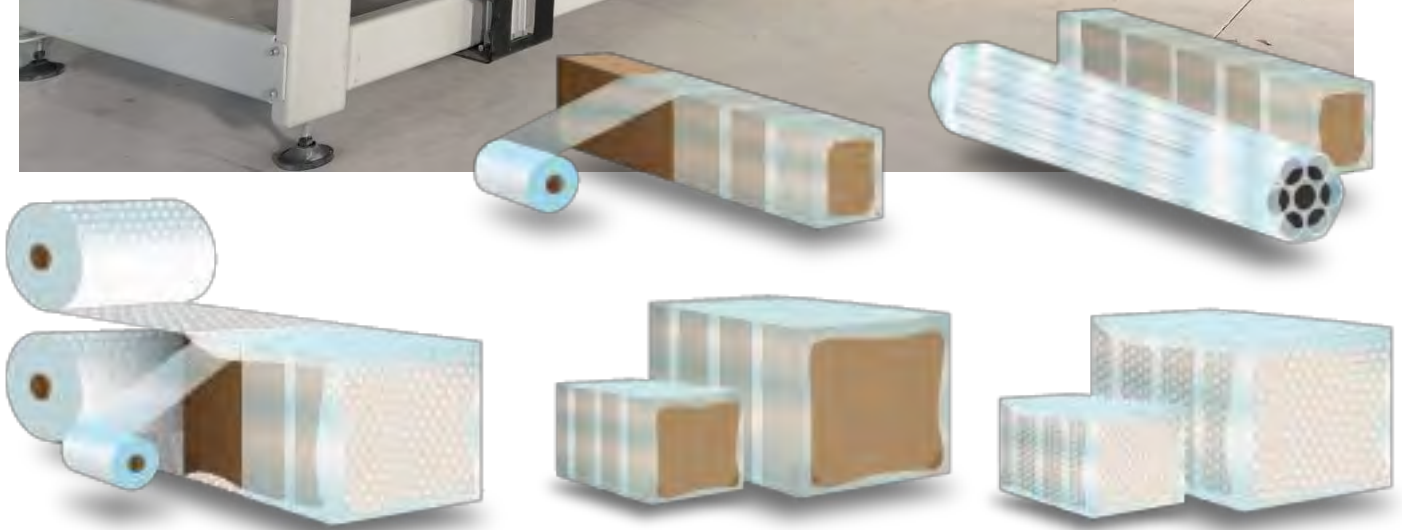
Other Optional Conveyor Solutions :



Fully Automatic Stretch Film Wrapping Machine

PRO SERIES

Packaging with Dynawrap :



Fully Automatic Stretch Film Wrapping Machine

PRO SERIES

Packaging with Dynawrap :



Fully Automatic Stretch Film Wrapping Machine

PRO SERIES

Empower Your Future with Dynawrap



Fully Automatic Stretch Film Wrapping Machine

PRO SERIES

SUPPLY CONDITIONS AND WARRANTY:

- Machine with "CE" marking
- Literature in English language (Spanish, Portuguese and Russian are also available)
- 1 year warranty under 8hr works Daily x 240 working days
- The chassis has 10 years warranty.
- Delivery: Exworks Turkey / Eskisehir
- Delivery time: approx. 8-12 weeks from order date (receipt of down payment)
- Packaging: Bubble Wrap and stretch film. Any other packaging type to be quote
- Installation: Remote installation or Field Installation
- Payment: 35% by order, 65% before the delivery when the machine is ready
- Validity of the offer 30 days from the offer day

WARRANTY:

- The rotary ring unit has is guarantee for 5 years.
- The machine is guaranteed for a period of twelve (12) months from the delivery date.
- The warranty includes non-interest bearing replacement (for work cycles no higher than one 8 hour work shift every 24 hours) of all parts that, subsequently to the shipment date cited in our documents, should seem defective and the necessary handiwork excluding travel expenses (room, board, etc.); the travel hours will be charged separately.
- The warranty is only valid if the machine was used correctly according to the manufacturer's instructions and has not undergone tampering, it is immediately annulled if changes and/or repairs are carried out on the machine by staff not authorized by Dynawrap.

Fully Automatic Stretch Film Wrapping Machine

PRO SERIES

Dynawrap Stretch Film Solutions



Save upto %30 with
15 Mic 16X Carbon
Stretch Film

Stretch film Width:
25 cm - 168 rolls / pallet
17 cm - 250 rolls / pallet

Stretch Film Length

15 Mic Stretch Film / Roll = 1500 m long

23 Mic Stretch Film / Roll = 1000 m long



CERTIFICATIONS AND QUALITY SYSTEM



Fully Automatic Stretch Film Wrapping Machine

PRO SERIES



**is at 4 continents
over 30 countries**

