

Figure 1-1 Positioner mounted on **linear actuator** (single-acting)

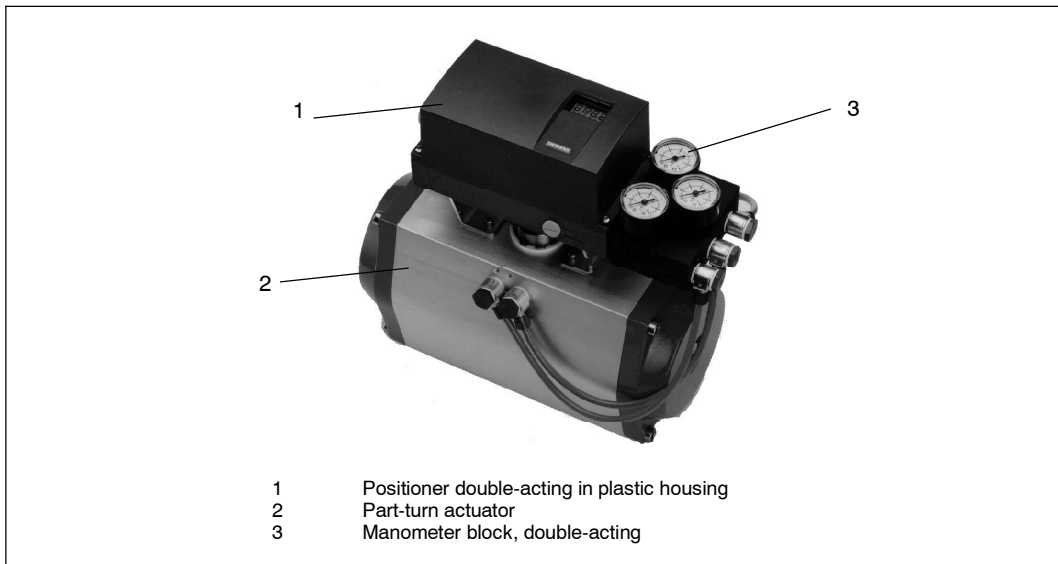


Figure 1-2 Positioner mounted on **part-turn actuator** (double-acting)

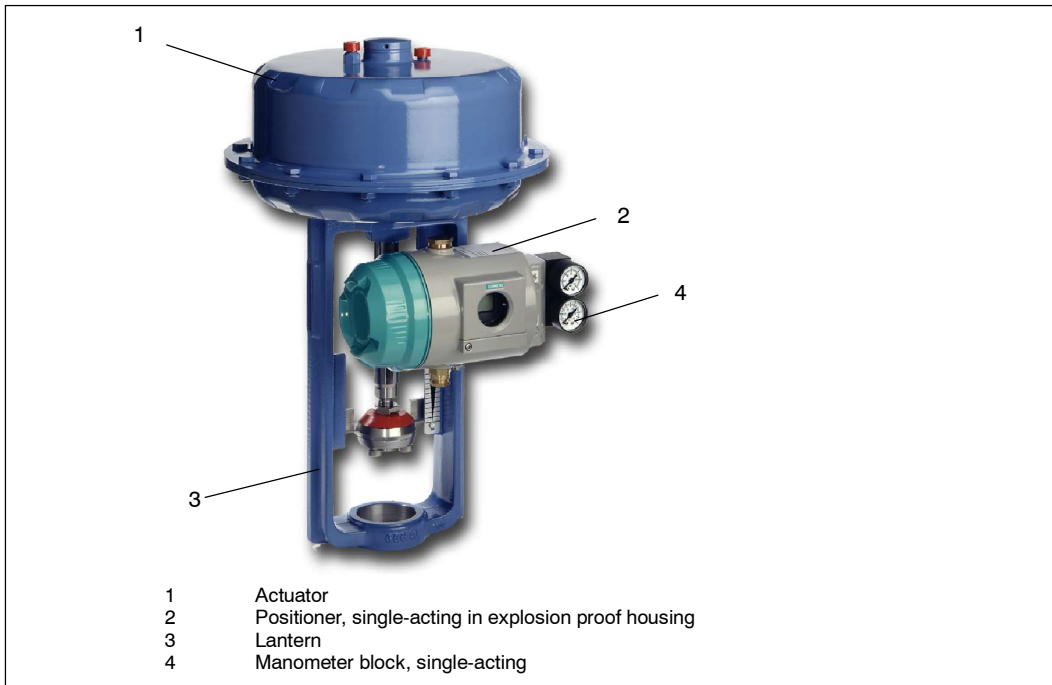


Figure 1-3 Explosion proof version of the positioner mounted on **linear actuator** (single-acting)

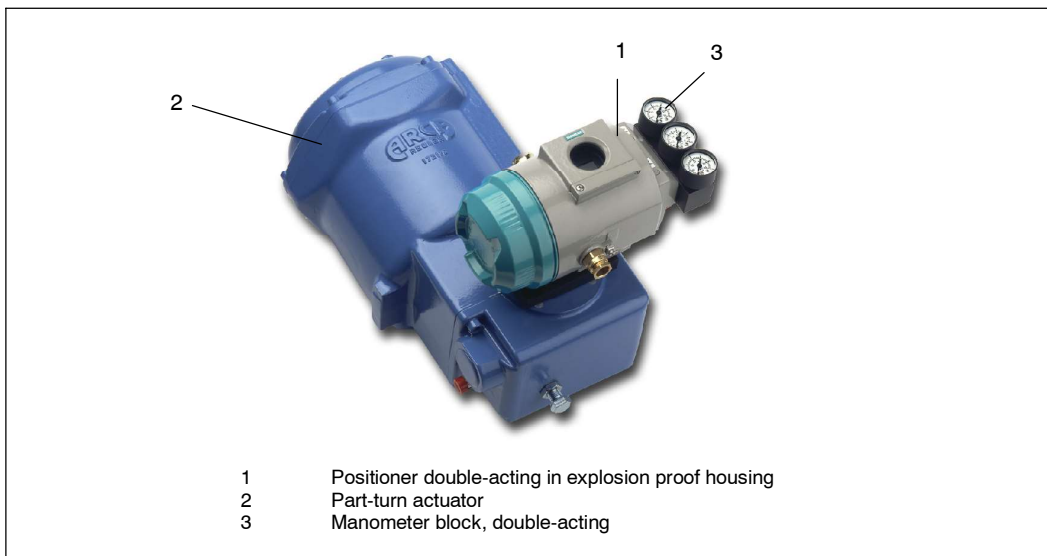


Figure 1-4 Explosion proof version of the positioner mounted on **part-turn actuator** (double-acting)