

## Return Line Filters ■ Type SRFL-SW



### Product Description

STAUFF Return Line Filters SRFL-SW are specially developed for direct installation into the pipelines of industrial water cycles. Depending on their size, SRFL-SW filter housings are suitable for nominal flow rates up to 13330 l/min / 3521 US GPM at a maximum operating pressure of 16 bar / 232 PSI. The SRFL-SW have been designed to be used in the steel industry for pre-filtering or coarse filtering in descaling plants. For use with demineralised water we recommend the Return Line Filters SRFL-SW in Stainless Steel. The filter element construction as a Stainless Steel basket screen filter ensures a long service life.

### Technical Data

#### Construction

- Designed for direct installation into pipelines
- Simplex version

#### Materials

- Filter housing: Carbon Steel  
Stainless Steel (on request)
- Sealing: PTFE / NBR (Buna-N®)  
PTFE / FKM (Viton®)

#### Port Connection

- ANSI or DIN flange

#### Operating Pressure

- Max. 16 bar / 232 PSI

#### Flow Rating

- Max. 13330 l/min / 3521 US GPM

#### Temperature Range

- -10 °C ... +100 °C / +14 °F ... +212 °F

#### Media Compatibility

- Water
- Coolant
- Others on request

### Options and Accessories

#### Filter Elements

Stainless Steel basket screen filters from STAUFF's REL product line are used as filter elements, which are designed for flow from the inside to the outside. The filter elements are available in micron ratings between 50 µm and 200 µm. Solid particles collected in the basket are prevented from reaching the clean side of the water cycle when being replaced.

#### Clogging Indicator

- Differential Pressure Gauge

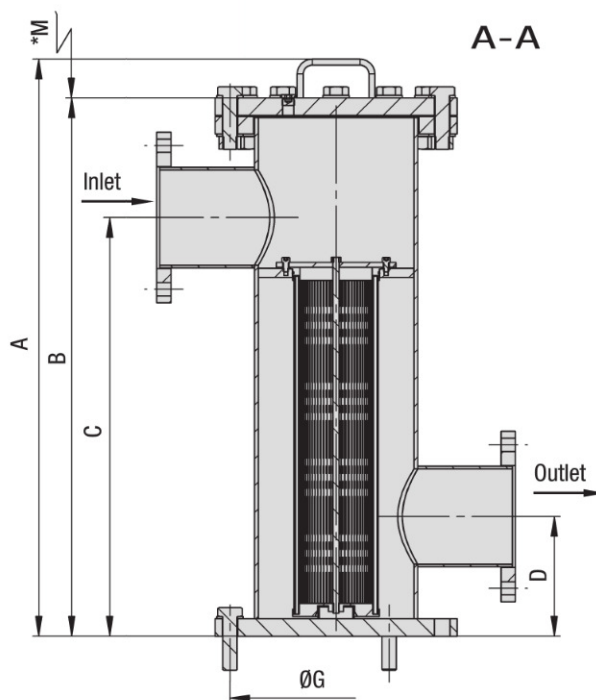
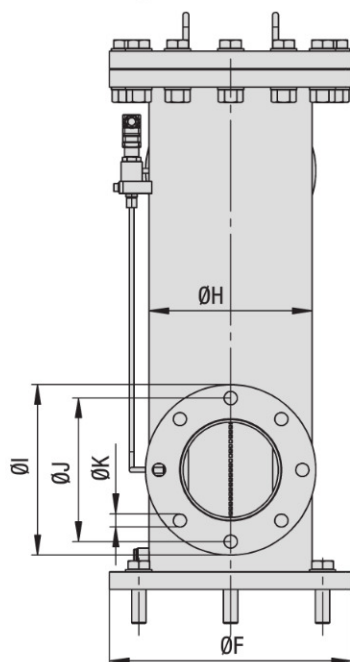
#### Drain Valve

- Available as an option: Integrated into the filter housing

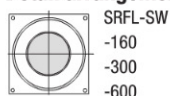
## Return Line Filters ■ Type SRFL-SW-160 /-300 /-600

## Version with handle

\* recommended space for element change

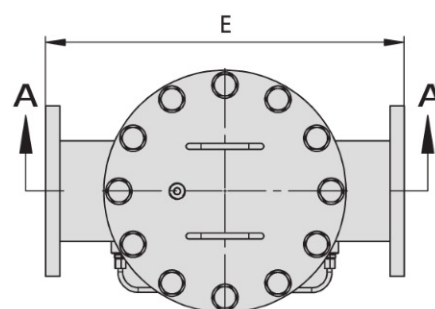


## Detail arrangement of filter elements



SRFL-SW  
-160  
-300  
-600

Flange Connection	Filter Size SRFL-SW		
	160	300	600
DIN	DN80 DN50	DN100 DN125	DN150 -
ANSI	2 3	4 5	6 -

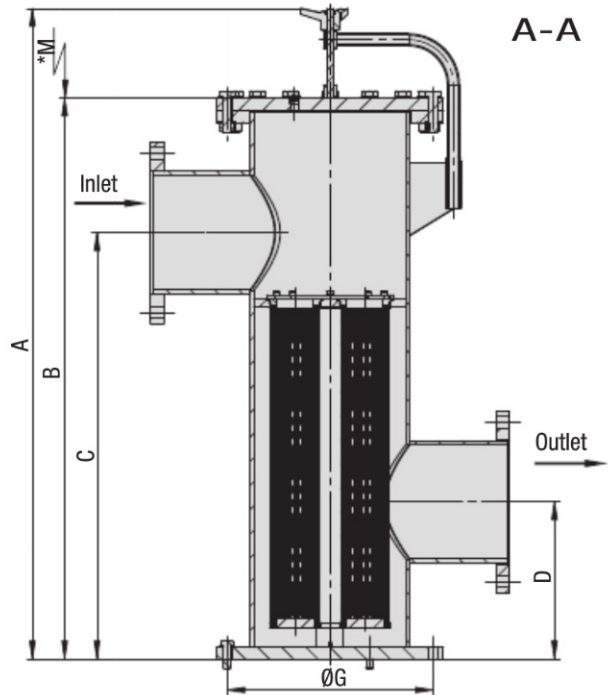
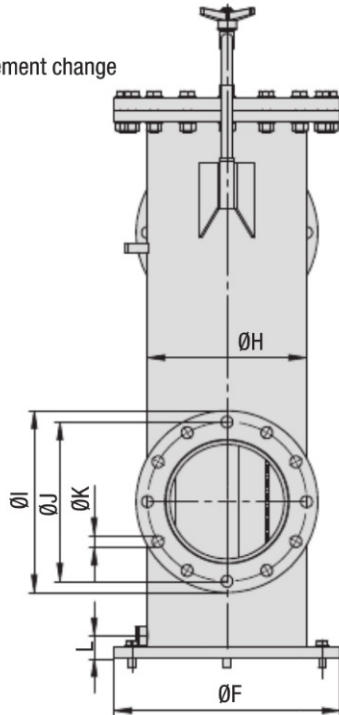


Dimensions (mm/in)	Filter Size SRFL-SW		
	160	300	600
<b>Filter Housing Material</b>	<b>CS/SS</b>	<b>CS/SS</b>	<b>CS/SS</b>
A	840 33.07	965 38.00	965 38.00
B	775 30.51	900 35.43	900 35.43
C	600 23.62	700 27.56	700 27.56
D	250 9.84	200 7.87	200 7.87
E	440 17.32	500 19.69	600 23.62
ØF	340 13.39	340 13.39	405 15.94
ØG	295 11.61	295 11.61	355 13.98
ØH	219,1 8.63	219,1 8.63	273 10.75
ØI	200 7.87	220 8.66	285 11.22
ØJ	160 6.30	180 7.09	240 9.45
ØK	18 .71	18 .71	22 .87
M	400 15.75	650 25.60	650 25.60
Housing Capacity (l / US gal)	26,2 6.9	31,3 8.3	52,9 14
Filter Elements	Designation	REL-100	REL-100
	Quantity	1	1

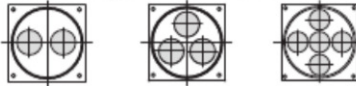
## Return Line Filters ■ Type SRFL-SW-850 /-1000 /-1250

## Version with lifting device

\* recommended space for element change

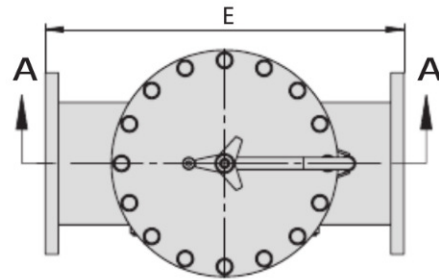


## Detail arrangement for filter elements



SRFL-SW-850    SRFL-SW-1000    SRFL-SW-1250

Flange Connection	Filter Size SRFL-SW		
	850	1000	1250
DIN	DN200 DN150	DN250 -	DN300 -
ANSI	8 -	10 -	12 -



Dimensions (mm/in)	Filter Size SRFL-SW				
	850		1000		1250
Filter Housing Material	CS	SS	CS	SS	
A	1154 45.43	1150 45.28	1442 56.77	1450 57.09	1950 76.77
B	962 37.87	950 37.40	1250 49.21	1250 49.21	1740 68.50
C	750 29.53	750 29.53	950 37.40	950 37.40	1400 55.12
D	300 11.81	300 11.81	350 13.78	350 13.78	400 15.75
E	700 27.56	700 27.56	800 31.50	800 31.50	1100 43.31
ØF	520 20.47	505 19.88	520 20.47	505 19.88	640 25.20
ØG	470 18.50	460 18.11	470 18.50	460 18.11	585 23.03
ØH	355,6 14.00	355,6 14.00	355,6 14.00	355,6 14.00	508 20.00
ØI	340 13.39	340 13.39	405 15.94	405 15.94	460 18.11
ØJ	295 11.61	295 11.61	355 13.98	355 13.98	410 16.14
ØK	22 .87	22 .87	26 1.02	26 1.02	26 1.02
M	650 25.59	650 25.59	850 33.46	850 33.46	850 33.46
L	55 2.17	51 2.01	55 2.17	51 2.01	82 3.23
Housing Capacity (l / US gal)	96,5 25.5	96,5 25.5	138,6 36.6	138,6 36.6	392 103.6
Filter Elements	Designation	REL-150	REL-150	REL-250	REL-250
	Quantity	2	2	3	3

## Return Line Filter Housing / Complete Filters ■ Type SRFL-SW

**SRFL-SW - 300 ... .. B / A / 0 / CS / 0 / B / X**

1                      2                      3                      4                      5                      6                      7                      8                      9                      10                      11

## 1 Type

Return Line Filter Simplex Water **SRFL-SW**

## 2 Group

Flow	Size
650 l/min / 160 US GPM	<b>160</b>
1200 l/min / 300 US GPM	<b>300</b>
2500 l/min / 600 US GPM	<b>600</b>
6000 l/min / 1500 US GPM	<b>850</b>
8300 l/min / 2000 US GPM	<b>1000</b>
13330 l/min / 3300 US GPM	<b>1250</b>

## 3 Filter Material

Material	Micron Ratings Available	Code
Without filter element	-	...
Stainless mesh	50, 80, 100, 125, 200	<b>B</b>

## 4 Micron Rating

50 µm	<b>50</b>
80 µm	<b>80</b>
100 µm	<b>100</b>
125 µm	<b>125</b>
200 µm	<b>200</b>

Note: Other micron ratings on request.

## 5 Sealing Material

 PTFE / NBR (Buna®) **B**  
 PTFE / FPM (Viton®) **V**  
 Note: Other sealing materials on request.

## 6 Connection Style

Connection Style	Group						Code
	160	300	600	850	1000	1250	
DIN flange	DN80	DN100	DN150	DN200	DN250	DN300	<b>D</b>
	DN50	DN125	-	DN150	-	-	<b>D1</b>
ANSI flange	2"	4"	6"	8"	10"	12"	<b>A</b>
	3"	5"	-	-	-	-	<b>A1</b>

## 7 Connection Location

Opposite side **0**

## 8 Housing Material

 Carbon Steel **CS**  
 Stainless Steel **SS**

## 9 Clogging Indicator

 Without Clogging Indicator **0**  
 Differential Pressure Gauge **M**  
 Note: Other clogging indicators on request.

## 10 Drain Valve

 Closed **0**  
 Ball Valve **B**

## 11 Design Code

Only for information **X**

## Filter Elements ■ Type REL

**REL - 150 B 200 B / X**

1                      2                      3                      4                      5                      6

## 1 Type

Filter Element Series **REL**

## 2 Group

Designation	Number of Filter Elements	Size
<b>REL-100</b>	1	160
<b>REL-150</b>	1	300
<b>REL-150</b>	1	600
<b>REL-150</b>	2	850
<b>REL-250</b>	3	1000
<b>REL-250</b>	5	1250

## 3 Filter Material

Material	Max. Δp*Collapse	Micron Ratings Available	Code
Stainless mesh	10 bar / 145 PSI	50, 80, 100, 125, 200	<b>B</b>

## 4 Micron Rating

50 µm	<b>50</b>
80 µm	<b>80</b>
100 µm	<b>100</b>
125 µm	<b>125</b>
200 µm	<b>200</b>

## 5 Sealing Material

 NBR (Buna®) **B**  
 FPM (Viton®) **V**

## 6 Design Code

Only for information **X**

## Replacement Filter Elements - Type REL

## Product Description

Stainless Steel basket screen filters from STAUFF's REL product line are used as filter elements, which are designed for flow from the inside to the outside. Micron ratings ranging from 50 µm to 200 µm are available. Solid particles collected in the basket are prevented from reaching the clean side of the water cycle when being replaced. The filter element construction as a Stainless Steel basket screen filter ensures a long service life.



## Order Code

**REL - 150 B 200 B / X**

1      2      3      4      5      6

## 1 Type

 Filter Element Series **REL**

## 2 Group

Designation	Number of Filter Elements	Size
REL-100	1	160
REL-150	1	300
REL-150	1	600
REL-150	2	850
REL-250	3	1000
REL-250	5	1250

## 3 Filter Material

Material	Max. $\Delta p^*$ Collapse	Micron Ratings Available	Code
Stainless mesh	10 bar / 145 PSI	50, 80, 100, 125, 200	<b>B</b>

## 4 Micron Rating

50 µm	<b>50</b>
80 µm	<b>80</b>
100 µm	<b>100</b>
125 µm	<b>125</b>
200 µm	<b>200</b>

## 5 Sealing Material

 NBR (Buna®) **B**  
 FPM (Viton®) **V**

## 6 Design Code

 Only for information **X**

## Differential Pressure Gauge

A visual clogging indicator, the function of which is based on the differential pressure between the contaminated and clean side of the filter elements, is available as an option, and enable a convenient determination of the condition of the basket filter.

## Nominal Size

- 80 mm / 3.15 in

## Range of Scale

- 0 ... 1 bar / 0 ... 14.5 PSI

## Operating Pressure

- Max. 100 bar / 1450 PSI

## Permissible Temperatures

- Ambient: 0 ... +60 °C / 0 ... +140 °F
- Media: up to +100 °C / +212 °F

## Material

- Housing: Die-cast Aluminum, black
- Sight glass: Acrylic
- Indicator: Aluminum, black

## Protection Rating

- IP 54 protection rating: Dust protected and protected against splashing water

