

SV 10 SAFETY RELIEF VALVE

- Equipped with a valve opening at the set up value to evacuate the over pressure build in the process

SAFETY RELIEF VALVE

- ★ Connectable
- ★ CE marked (97/23/CE)
- ★ AISI 303 or AISI 316L

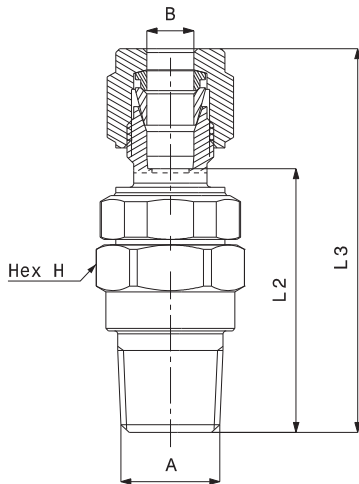
Special requirements on request

KEY FEATURES

- CE marked according to the European Directive 97/23/CE.
- Compatible with all Rotarex regulators, supply boards and switch over boards.
- Setup value defined.
- Small dimensions.
- Compatible with many gases (see table).
- Delivered with a P.A flat seal for the chrome-plated brass version and a PCTFE flat seal for the AISI 316L version.
- Delivered with the user manual.

OPTIONS

- The safety relief valve must be dimensioned in such a way that the pipe pressure will under no circumstances surpass the conception pressure of pipes, even when the safety valve is venting.
- The pressure in the pipe must not exceed the calculated value even when the device is open.



- A : M: G 3/8, M: 1/4 NPT
- B : Ø 6 mm or Ø 1/4"
- H : hexagon of 17 mm on flats
- L1 : 27 mm
- L2 : approx. 37 mm
- L3 : approx. 51 mm



A FEW FLOW VALUES OF THE SAFETY SV 10 AT A PRESSURE 1,25 TIMES THE TIGHTNESS PRESSURE

| Tightness pressure (marked on the body) In bar | 2 bar | 4 bar | 5 bar | 9 bar | 11 bar | 12 bar | 16 bar | 22 bar | 24 bar | 35 bar | 50 bar | 62 bar |
|--|-------|-------|-------|-------|--------|--------|--------|--------|--------|--------|--------|--------|
| Minimum flow for 1.25 x tightness pressure in m ³ /h - N ₂ | * | 7.6 | 9.8 | 17 | 21.4 | 23 | 30.2 | 38.1 | 43.4 | 57.5 | 77.4 | 107.1 |

*Minimum flow Q = 5,2 m³/h - N₂ with 3 bar inlet pressure

SPECIFICATIONS

| | | | | | |
|---|---|--|--|--------------------------|---|
| Gasket | PA 6.6 (brass/AISI 303 version) PCTFE (AISI 316L version) | Gas with EPDM and stainless steel | CO ₂ , CO, He, N ₂ , Air, Ne, Kr, Xe, C ₂ H ₂ , NH ₃ , H ₂ | Ports (inlet) | G 3/8 - Male or 1/4 NPT - Male |
| O-ring | EPDM FPM NBR | Gas with FPM and stainless steel | Ar, He, N ₂ , H ₂ , Air, Ne, Kr, Xe, C ₄ H ₁₀ , CH ₄ , C ₁₂ , O ₂ | Ports (outlet) | DR 6 mm or 1/4" |
| Gas with NBR and brass | Ar, CO, He, N ₂ , H ₂ , Air, Ne, Kr, Xe, C ₄ H ₁₀ , CH ₄ | Oxygen use | OK | Body | Chrome-plated brass/AISI 303 or AISI 316L |
| Gas with NBR and stainless steel | Ar, CO, He, N ₂ , H ₂ , Air, Ne, Kr, Xe, NH ₃ , C ₄ H ₁₀ , CH ₄ | Tightness pressure | 2 to 62 bar (29 to 900 psi) | Leak rate | 10 ⁻⁷ mbar ℓ/s He |
| Gas with EPDM and brass | Ar, CO ₂ , CO, He, N ₂ , H ₂ , Air, Ne, Kr, Xe, C ₂ H ₂ | Seat orifice size | Hexagonal Ø 2 mm | Temperature range | -20°C to +65°C -4°F to +149°F |



SV10 (cont'd)

CONNECTABLE SAFETY RELIEF VALVE - CE marked (97/23/CE)

| Tightness pressure | Material | Inlet connection | Outlet connection (tube fitting) | O-Ring | Rotarex designation | Kit part number |
|--------------------|----------------------|------------------|----------------------------------|--------|---|---|
| 2 bar | Brass + SS 303 | M: G 3/8 | DB 6mm | EPDM | KIT \ SOUP \ SV10 \ 2 bar \ G 3/8 \ LT \ EPDM \ DB6 | 380001990001 |
| | Stainless steel 316L | | | | KIT \ SOUP \ SV10 \ 2 bar \ G 3/8 \ 316L \ EPDM \ DB6 | 380001990301 |
| 4 bar | Brass + SS 303 | M: G 3/8 | DB 6mm | EPDM | KIT \ SOUP \ SV10 \ 4 bar \ G 3/8 \ LT \ EPDM \ DB6 | 380001990003 |
| | Stainless steel 316L | | | | KIT \ SOUP \ SV10 \ 4 bar \ G 3/8 \ 316L \ EPDM \ DB6 | 380001990302 |
| 5 bar | Brass + SS 303 | M: G 3/8 | DB 6mm | EPDM | KIT \ SOUP \ SV10 \ 5 bar \ G 3/8 \ LT \ EPDM \ DB6 | 380001990004 |
| | | | | | KIT \ SOUP \ SV10 \ 5 bar \ G 3/8 \ 316L \ EPDM \ DB6 | 380001990303 |
| | Stainless steel 316L | | | FPM | KIT \ SOUP \ SV10 \ 5 bar \ G 3/8 \ 316L \ EPDM \ DB6 | 380001990304 |
| 9 bar | Brass + SS 303 | M: G 3/8 | DB 6mm | EPDM | KIT \ SOUP \ SV10 \ 9 bar \ G 3/8 \ LT \ EPDM \ DB6 | 380001990005 |
| | | | | | KIT \ SOUP \ SV10 \ 9 bar \ G 3/8 \ 316L \ EPDM \ DB6 | 380001990305 |
| | Stainless steel 316L | | | FPM | KIT \ SOUP \ SV10 \ 9 bar \ G 3/8 \ 316L \ FPM \ DB6 | 380001990306 |
| 11 bar | Brass + SS 303 | M: G 3/8 | DB 6mm | EPDM | KIT \ SOUP \ SV10 \ 11 bar \ G 3/8 \ LT \ EPDM \ DB6 | 380001990059 |
| 12 bar | Stainless steel 316L | M: G 3/8 | DB 6mm | EPDM | KIT \ SOUP \ SV10 \ 12 bar \ G 3/8 \ 316L \ EPDM \ DB6 | 380001990307 |
| 16 bar | Brass + SS 303 | M: G 3/8 | DB 6mm | EPDM | KIT \ SOUP \ SV10 \ 16 bar \ G 3/8 \ LT \ EPDM \ DB6 | 380001990006 |
| | | | DB 1/4" | | KIT \ SOUP \ SV10 \ 16 bar \ G 3/8 \ LT \ EPDM \ DB1/4 | 380001990007 |
| | | | DB 6mm | NBR | KIT \ SOUP \ SV10 \ 16 bar \ G 3/8 \ LT \ NBR \ DB6 | 380001990014 |
| | Stainless steel 316L | | DB 6mm | EPDM | KIT \ SOUP \ SV10 \ 16 bar \ G 3/8 \ 316L \ EPDM \ DB6 | 380001990308 |
| | | | DB 1/4" | | KIT \ SOUP \ SV10 \ 16 bar \ G 3/8 \ 316L \ EPDM \ DB1/4 | 380001990358 |
| | | | DB 6mm | FPM | KIT \ SOUP \ SV10 \ 16 bar \ G 3/8 \ 316L \ FPM \ DB6 | 380001990309 |
| | | | DB 1/4" | | KIT \ SOUP \ SV10 \ 16 bar \ G 3/8 \ 316L \ FPM \ DB1/4 | 380001990310 |
| 22 bar | Brass + SS 303 | M: G 3/8 | DB 6mm | EPDM | KIT \ SOUP \ SV10 \ 22 bar \ G 3/8 \ LT \ EPDM \ DB6 | 380001990058 |
| | Stainless steel 316L | | | | KIT \ SOUP \ SV10 \ 22 bar \ G 3/8 \ 316L \ EPDM \ DB6 | 380001990311 |
| | | | | FPM | KIT \ SOUP \ SV10 \ 22 bar \ G 3/8 \ 316L \ FPM \ DB6 | 380001990313 |
| 24 bar | Brass + SS 303 | M: G 3/8 | DB 6mm | EPDM | KIT \ SOUP \ SV10 \ 24 bar \ G 3/8 \ LT \ EPDM \ DB6 | 380001990008 |
| | | M: 1/4 NPT | | | KIT \ SOUP \ SV10 \ 24 bar \ 1/4 NPT \ LT \ EPDM \ DB6 | 380001990013 |
| | Stainless steel 316L | M: G 3/8 | | | KIT \ SOUP \ SV10 \ 24 bar \ G 3/8 \ 316L \ EPDM \ DB6 | 380001990320 |
| | | M: 1/4 NPT | | | KIT \ SOUP \ SV10 \ 24 bar \ 1/4 NPT \ 316L \ EPDM \ DB6 | 380001990319 |
| | | M: G 3/8 | | | FPM | KIT \ SOUP \ SV10 \ 24 bar \ G 3/8 \ 316L \ FPM \ DB6 |
| 35 bar | Brass + SS 303 | M: G 3/8 | DB 6mm | EPDM | KIT \ SOUP \ SV10 \ 35 bar \ G 3/8 \ LT \ EPDM \ DB6 | 380001990009 |
| | | M: 1/4 NPT | | | KIT \ SOUP \ SV10 \ 35 bar \ 1/4 NPT \ LT \ EPDM \ DB6 | 380001990011 |
| | Stainless steel 316L | M: G 3/8 | | | KIT \ SOUP \ SV10 \ 35 bar \ G 3/8 \ 316L \ EPDM \ DB6 | 380001990314 |
| | | M: 1/4 NPT | | | KIT \ SOUP \ SV10 \ 35 bar \ 1/4 NPT \ 316L \ EPDM \ DB6 | 380001990317 |
| | | M: G 3/8 | | | FPM | KIT \ SOUP \ SV10 \ 35 bar \ G 3/8 \ 316L \ FPM \ DB6 |
| 50 bar | Brass + SS 303 | M: G 3/8 | DB 6mm | EPDM | KIT \ SOUP \ SV10 \ 50 bar \ G 3/8 \ LT \ EPDM \ DB6 | 380001990060 |
| | Stainless steel 316L | | | | KIT \ SOUP \ SV10 \ 50 bar \ G 3/8 \ 316L \ EPDM \ DB6 | 380001990369 |
| 62 bar | Brass + SS 303 | M: G 3/8 | DB 6mm | EPDM | KIT \ SOUP \ SV10 \ 62 bar \ G 3/8 \ LT \ EPDM \ DB6 | 380001990010 |
| | | M: 1/4 NPT | | | KIT \ SOUP \ SV10 \ 62 bar \ 1/4 NPT \ LT \ EPDM \ DB6 | 380001990012 |
| | Stainless steel 316L | M: 1/4 NPT | | FPM | KIT \ SOUP \ SV10 \ 62 bar \ 1/4 NPT \ 316L \ FPM \ DB6 | 380001990318 |
| | | M: G 3/8 | | EPDM | KIT \ SOUP \ SV10 \ 62 bar \ G 3/8 \ 316L \ EPDM \ DB6 | 380001990357 |
| | | | | FPM | KIT \ SOUP \ SV10 \ 62 bar \ G 3/8 \ 316L \ FPM \ DB6 | 380001990316 |
| 320 psi | Stainless steel 316L | M: G 3/8 | DB 1/4" | FPM | KIT \ SOUP \ SV10 \ 320 psi \ G 3/8 \ 316L \ FPM \ DB1/4 | 380001990365 |
| | | M: 1/4 NPT | | | KIT \ SOUP \ SV10 \ 320 psi \ 1/4 NPT \ 316 \ FPM \ DB1/4 | 380001990370 |
| 507 psi | Stainless steel 316L | M: G 3/8 | DB 1/4" | FPM | KIT \ SOUP \ SV10 \ 507 psi \ G 3/8 \ 316L \ FPM \ DB1/4 | 380001990366 |
| | | M: 1/4 NPT | | | KIT \ SOUP \ SV10 \ 507 psi \ 1/4 NPT \ 316 \ FPM \ DB1/4 | 380001990371 |
| 725 psi | Stainless steel 316L | M: G 3/8 | DB 1/4" | FPM | KIT \ SOUP \ SV10 \ 725 psi \ G 3/8 \ 316L \ FPM \ DB1/4 | 380001990367 |
| | | M: 1/4 NPT | | | KIT \ SOUP \ SV10 \ 725 psi \ 1/4 NPT \ 316 \ FPM \ DB1/4 | 380001990372 |
| 900 psi | Stainless steel 316L | M: G 3/8 | DB 1/4" | FPM | KIT \ SOUP \ SV10 \ 900 psi \ G 3/8 \ 316L \ FPM \ DB1/4 | 380001990368 |
| | | M: 1/4 NPT | | | KIT \ SOUP \ SV10 \ 900 psi \ 1/4 NPT \ 316 \ FPM \ DB1/4 | 380001990373 |