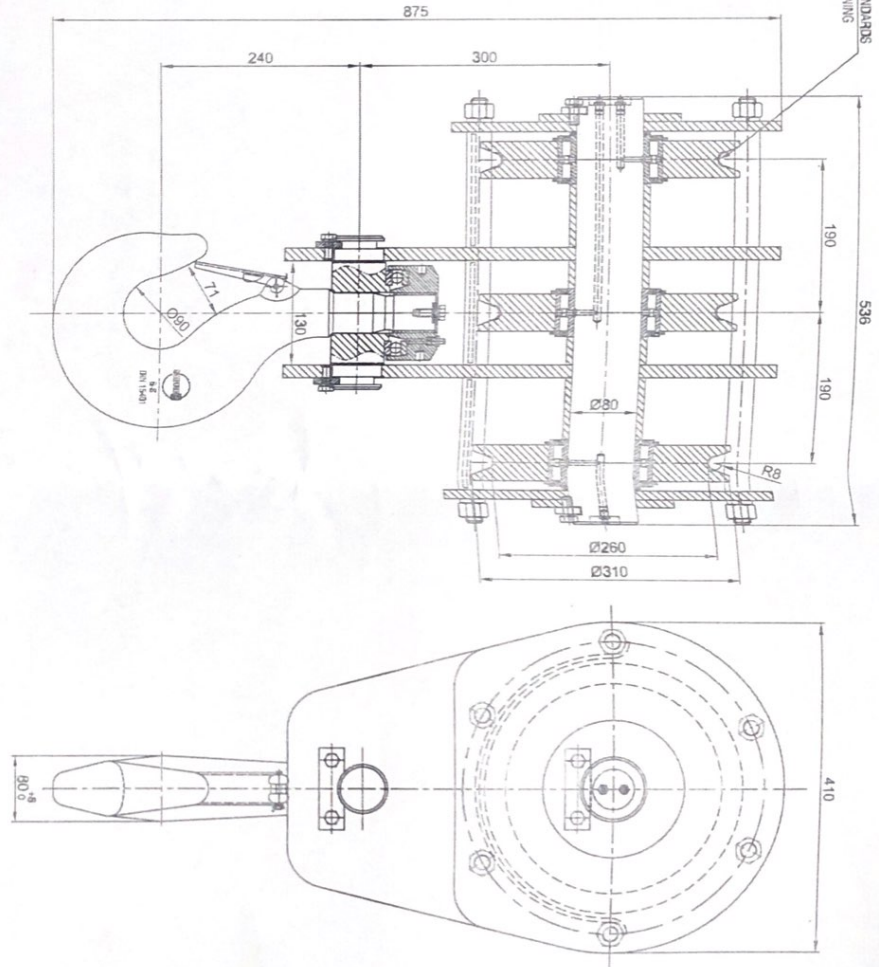


Copying of this document and giving it to others and the use or communication of the contents thereof are forbidden without express authority. Offenders are liable to the payment of damages. All rights are reserved in the event of the grant of a patent or the registration of a utility model or design.

Customer:  
APPROVAL:  
TECHNICAL RELEASE:  
Signature:

HARDENING ACCORDING TO SIBRE® STANDARDS  
GROOVE TO BE POLISHED AFTER HARDENING



Pos.	Designation	Qty.	Drawing Nr. Rev. part-Nr.	Item Nr.	Material	Norm	Part dimension	
00	Modification							
01	Modification							
General Tolerances		DIN ISO 2768 M/H		Surface dimension		DIN ISO 1502		
Description		Bottom block 10 ton Single hook 6-S - 3 rope sheaves DIN 15401						Sheet of 1
Item Number		S46542						Sheet of 1
Commission Number		S46542						Sheet of 1
SIBRE Italia S.p.A. Via Zennardelli, 102 I-25089 - Villanuova S/C WW: sibre.it								

