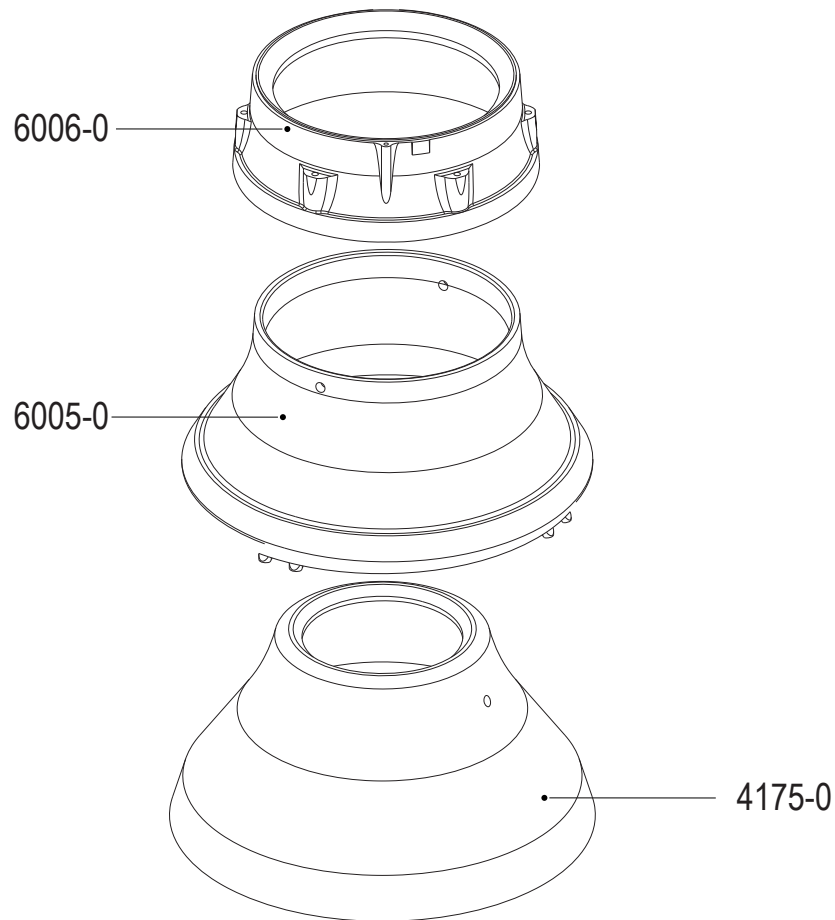


8a. Liners.

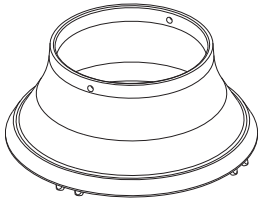
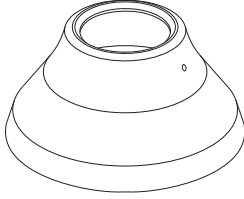
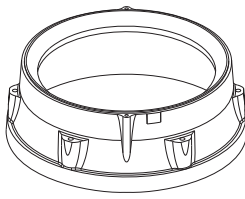


Cat. no.	Qty.	Part number	Alternative	Description	Remarks	Wear part
6006-0	1	442.8823-01		Filler ring MC	For concave MC/M	X
		442.8863-01		Filler ring MF	For concave MF/F	X
6007-0	6	840.1074-00		Screw M6S 30x280 8.8 ISO 4014	Fasteners for filler ring	X
6007-2	6	442.7252		Shim		X
6005-9		831-0016-00		Casting compound		X
6007-3	6	442.8908-03		Hose 31,5/0,6 L=210		X
6005-0	1	442.8813-01	-02, -03	Concave EC		X
		442.9230-01	-02, -03	Concave CX		X
		442.8814-01	-02, -03	Concave C		X
		442.8815-01	-02, -03	Concave MC		X
		442.8816-01	-02, -03	Concave M		X
		442.8817-01	-02, -03	Concave MF		X
		442.8818-01	-02, -03	Concave F		X
		452.0832-01	-02	Concave EF		X
4175-0	1	442.8819-01	-02	Mantle A		X
		442.8820-01	-02	Mantle B		X
		442.8821-01	-02, -03	Mantle D		X
		452.0820-001	-002	Mantle EF		X

The table below illustrates different crushing chambers alternatives

Example of the type no shown on crusher's identification plate

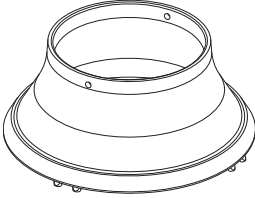
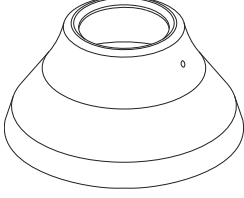
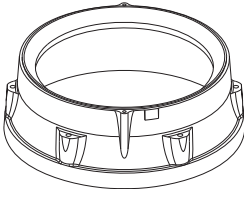
Type CH660-M/B/M-36/40/44/32:1

6005-0 Concave		6005-9 Casting comp.		4175-0 Mantle		4175-9 Cast- ing comp.		6006-0 Filler ring		6007-9 Casting comp.	
											
EC/A	EC extra coarse 442.8813-01 (M1) 442.8813-02 (M2) 442.8813-03 (M7)	5x10 kg	A	442.8819-01 (M1) 442.8819-02 (M2) 442.8819-03 (M7)	9x10 kg						
EC/B	EC extra coarse 442.8813-01 (M1) 442.8813-02 (M2) 442.8813-03 (M7)	5x10 kg	B	442.8820-01 (M1) 442.8820-02 (M2) 442.8820-03 (M7)	5x10 kg						
CX/D	* Se footnote 442.9230-01 (M1) 442.9230-02 (M2) 442.9230-03 (M7)	12x10 kg	D	442.8821-01 (M1) 442.8821-02 (M2) 442.8821-03 (M7)	9x10 kg						
C/A	C course 442.8814-01 (M1) 442.8814-02 (M2) 442.8814-03 (M7)	20x10 kg	A	442.8819-01 (M1) 442.8819-02 (M2) 442.8819-03 (M7)	9x10 kg						
C/B	C course 442.8814-01 (M1) 442.8814-02 (M2) 442.8814-03 (M7)	20x10 kg	B	442.8820-01 (M1) 442.8820-02 (M2) 442.8820-03 (M7)	5x10 kg						
MC/A/MC	MC medium course 442.8815-01 (M1) 442.8815-02 (M2) 442.8815-03 (M7)	13x10 kg	A	442.8819-01 (M1) 442.8819-02 (M2) 442.8819-03 (M7)	9x10 kg	MC medium course 442.8823-01	13x10 kg				
MC/B/MC	MC medium course 442.8815-01 (M1) 442.8815-02 (M2) 442.8815-03 (M7)	13x10 kg	B	442.8820-01 (M1) 442.8820-02 (M2) 442.8820-03 (M7)	5x10 kg	MC medium course 442.8823-01	13x10 kg				
MC/HC/MC	MC medium course 442.8815-01 (M1) 442.8815-02 (M2) 442.8815-03 (M7)	13x10 kg	HC	442.9760-01 (M1) 442.9760-02 (M2)	7x10 kg	MC medium course 442.8823-01	13x10 kg				
M/A/MC	M medium 442.8816-01 (M1) 442.8816-02 (M2)	14x10 kg	A	442.8819-01 (M1) 442.8819-02 (M2) 442.8819-03 (M7)	9x10 kg	MC medium course 442.8823-01	13x10 kg				
M/B/MC	M medium 442.8816-01 (M1) 442.8816-02 (M2)	14x10 kg	B	442.8820-01 (M1) 442.8820-02 (M2) 442.8820-03 (M7)	5x10 kg	MC medium course 442.8823-01	13x10 kg				
M/HC/MC	M medium 442.8816-01 (M1) 442.8816-02 (M2)	14x10 kg	HC	442.9760-01 (M1) 442.9760-02 (M2)	7x10 kg	MC medium course 442.8823-01	13x10 kg				

The table below illustrates different crushing chambers alternatives

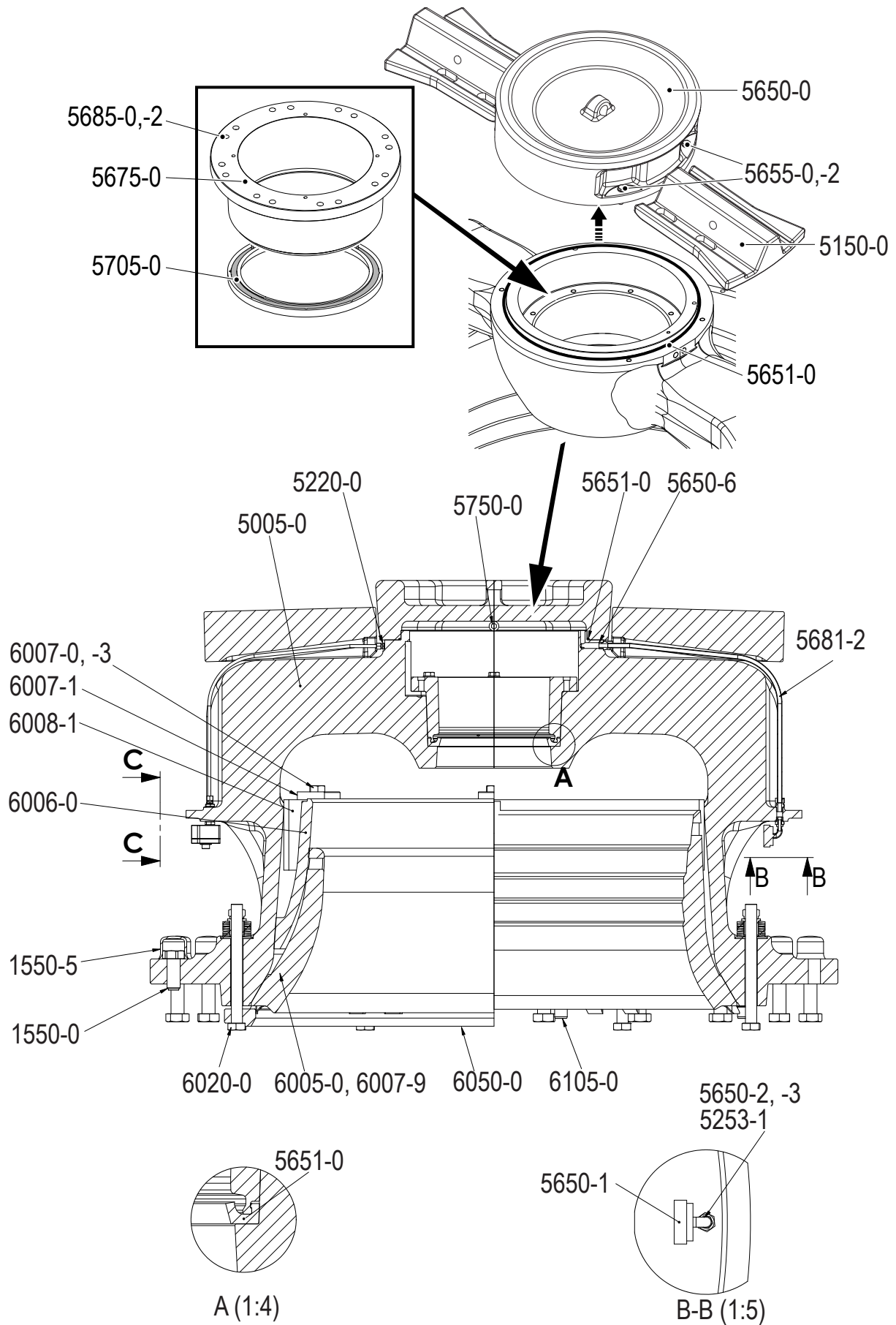
Example of the type no shown on crusher's identification plate

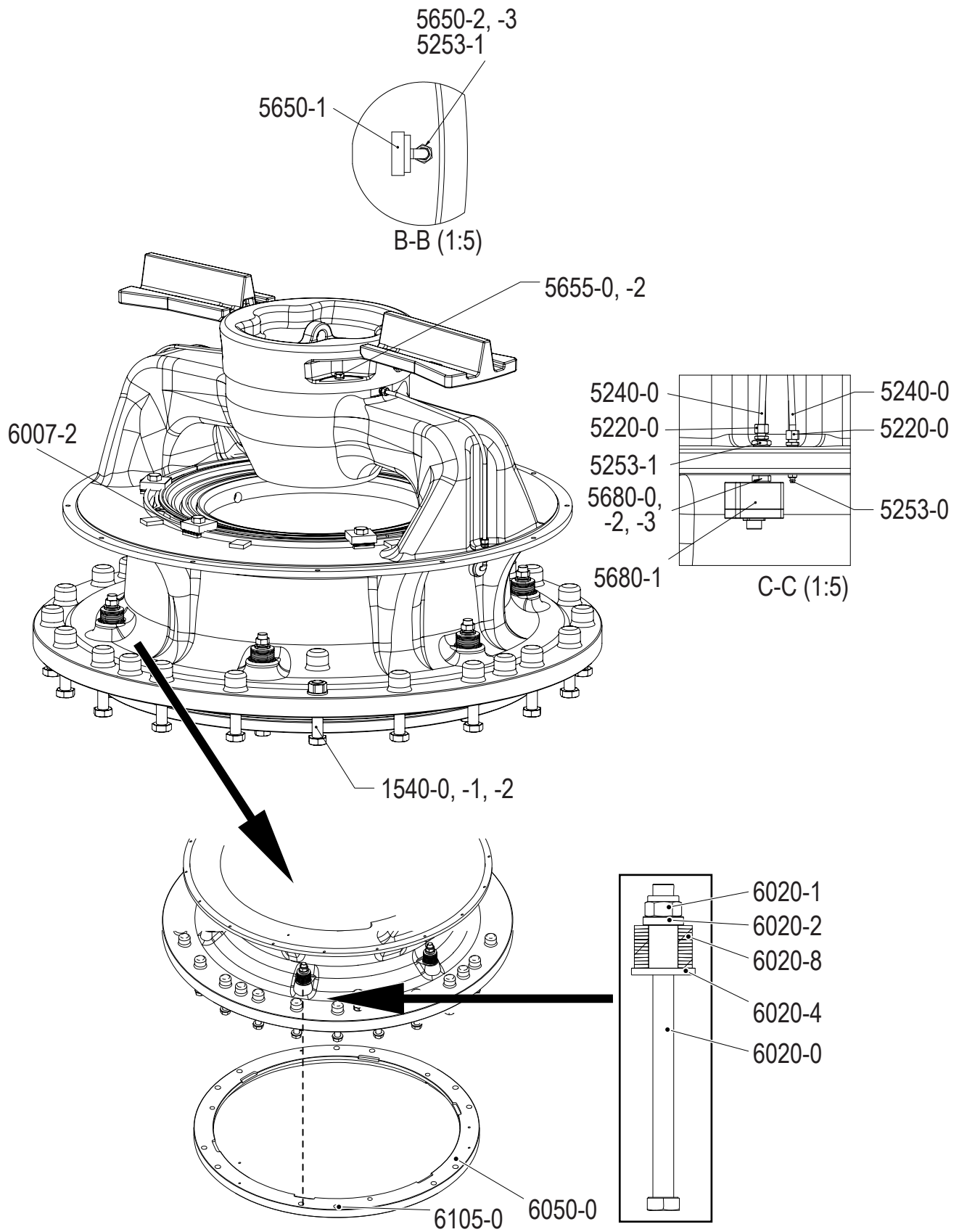
Type CH660-M/B/M-36/40/44/32:1

6005-0 Concave 		6005-9 Casting comp.	4175-0 Mantle 	4175-9 Casting comp.	6006-0 Filler ring 	6007-9 Casting comp.
MF/A/MF	MF medium fine 442.8817-01 (M1) 442.8817-02 (M2) 442.8817-03 (M7)	9x10 kg	A 442.8819-01 (M1) 442.8819-02 (M2) 442.8819-03 (M7)	9x10 kg	MF medium fine 442.8863-01	13x10 kg
MF/B/MF	MF medium fine 442.8817-01 (M1) 442.8817-02 (M2) 442.8817-03 (M7)	9x10 kg	B 442.8820-01 (M1) 442.8820-02 (M2) 442.8820-03 (M7)	5x10 kg	MF medium fine 442.8863-01	13x10 kg
MF/HC/MF	MF medium fine 442.8817-01 (M1) 442.8817-02 (M2) 442.8817-03 (M7)	9x10 kg	HC 442.9760-01 (M1) 442.9760-02 (M2)	7x10 kg	MF medium fine 442.8863-01	13x10 kg
F/A/MF	F fine 442.8818-01 (M1) 442.8818-02 (M2) 442.8818-03 (M7)	13x10 kg	A 442.8819-01 (M1) 442.8819-02 (M2) 442.8819-03 (M7)	9x10 kg	MF medium fine 442.8863-01	13x10 kg
F/B/MF	F fine 442.8818-01 (M1) 442.8818-02 (M2) 442.8818-03 (M7)	13x10 kg	B 442.8820-01 (M1) 442.8820-02 (M2) 442.8820-03 (M7)	5x10 kg	MF medium fine 442.8863-01	13x10 kg
F/HC/MF	F fine 442.8818-01 (M1) 442.8818-02 (M2) 442.8818-03 (M7)	13x10 kg	HC 442.9760-01 (M1) 442.9760-02 (M2)	7x10 kg	MF medium fine 442.8863-01	13x10 kg
EF/EF	EF extra fine 452.0832-01 (M1) 452.0832-02 (M2)	13x10 kg	EF extra fine 452.0820-001 (M1) 452.0820-002 (M2)	7x10 kg		

This page is intentionally left blank

9. Topshell





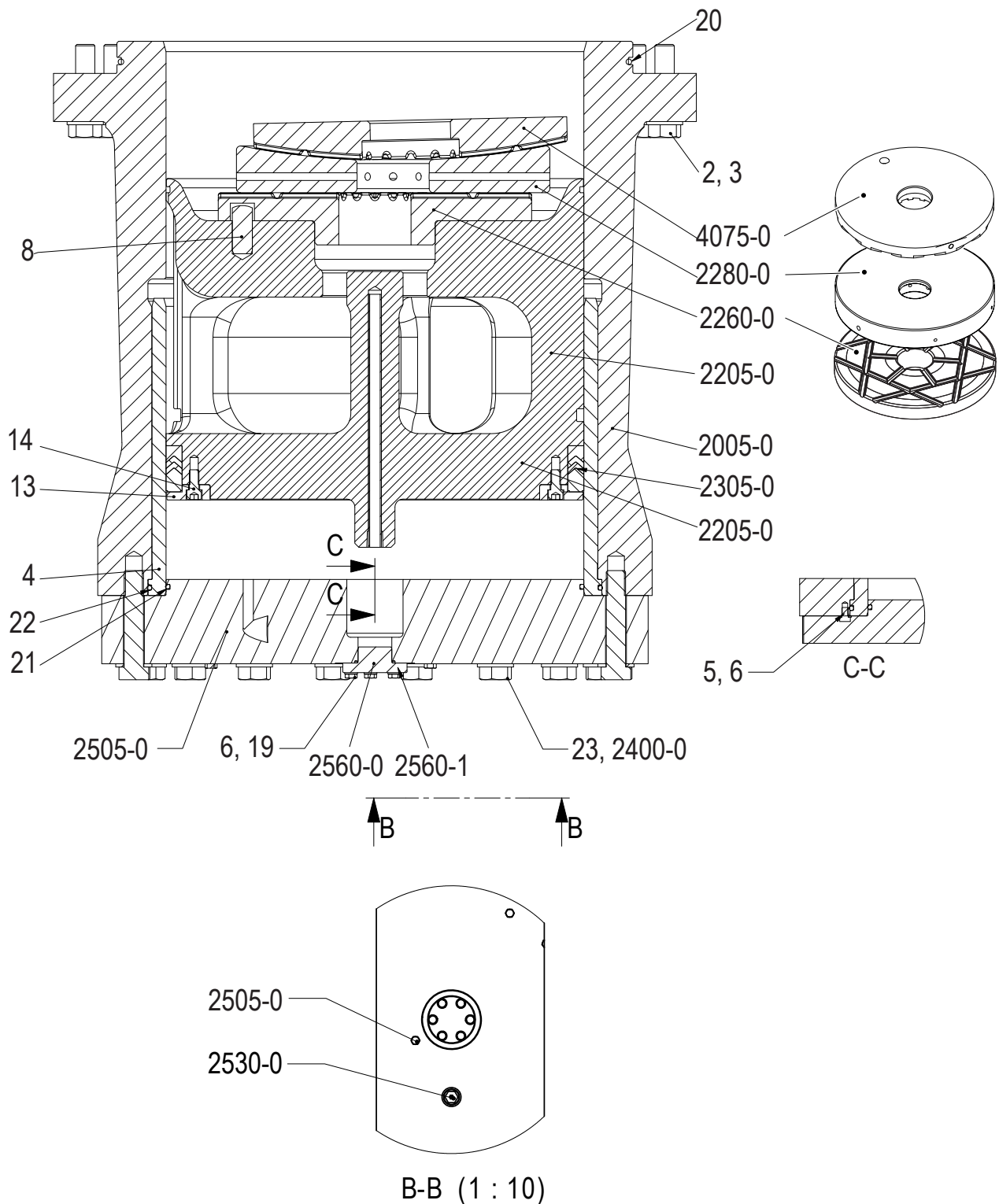
Cat. no.	Qty.	Part number	Alternative	Description	Remarks	Wear parts
		452.4131-901		Top shell assembly excl concave	Includes following:	
5005-0	1	452.3760-901		Topshell		
5150-0	2	442.8812-01		Arm shield		X
5220-0	4	900.0425-00		Compression fittings GE 10-LR		
5240-0	2	452.4153-001		Steel Pipe DIN 2391/C-ST 35,4 10x1,5		
5253-0	1	914.0093-00		Lubrication Nipple AH R 1/4"		
5253-1	2	900.1030-00		Bushing RI-08-04 1/2"-1/4"		
5650-1	1	912.0114-00		Air Filter P10102 R1/4"		
5650-2	1	900.0169-00		Nipple 1/4 ISO49 N8		
5650-3	1	900.0002-00		Elbow 1/4 ISO49 A1		
5650-6	2	900.0431-00		Compression fittings GE 15-LR		
5680-0	1	191.2376-00		Temperature sensor TRPF	Kit item number	
5680-1	1	191.3213-00		Connection box CBT		
5680-2	1	900.2624-00		Jam nut 1/2"		
5680-3	1	900.0654-00		Adapter G1/2 BxG 172B		
5681-2	1	452.4195-001		Steel Pipe DIN 2391/C-ST 35,4 15x1,5		

Cat. no.	Qty.	Part number	Alternative	Description	Remarks	Wear parts
		452.4131-902		Top shell assembly incl concave	Includes following:	
1540-0	20	840.1073-00		Screws M6S 42x220 8.8		
1540-1	20	845.0322-00		Nut M6M M42 8 FZB ISO 4032		
1540-2	20	847.0171-00		Washer BRB 43x80 HB 200 SS 3576		
1550-0	4	442.9530-01		Screw M6S 42x100		
1550-5	24	899.0278-00		Protective Cap SW65 2 H20		
5005-0	1	452.3760-901		Topshell		
5150-0	2	442.8812-01		Arm shield		X
5220-0	4	900.0425-00		Compression fittings GE 10-LR		
5240-0	1	452.4153-001		Steel Pipe DIN 2391/C-ST 35,4 10x1,5		
5253-0	1	914.0093-00		Lubrication Nipple AH R 1/4"		
5253-1	2	900.1030-00		Bushing RI-08-04 1/2"-1/4"		
5650-1	1	912.0114-00		Air Filter P10102 R1/4"		
5650-2	1	900.0169-00		Nipple 1/4 ISO49 N8		
5650-3	1	900.0002-00		Elbow 1/4 ISO49 A1		
5650-6	2	900.0431-00		Compression fittings GE 15-LR		
5650-0	1	452.3841-001		Spider cap		X
5651-0	1	873.1401-00		O-Ring 594,1x5,7 SMS 1586		X
5651-0	1	442.8755-01		Seal ring		X
5655-0	4	840.0080-00		Screw M6S 20x80 8.8 ISO 4014		X
5655-2	4	847.0165-00		Washer TBRB 21x36 1370 SS 1466		X
5675-0	1	442.8754-01		Spider bushing		X
5680-0	1	191.2376-00		Temperature sensor TRPF	Kit item number	
5680-1	1	191.3213-00		Connection box CBT		
5680-2	1	900.2624-00		Jam nut 1/2"		
5680-3	1	900.0654-00		Adapter G1/2 BxG 172B		
5681-2	1	452.4195-001		Steel Pipe DIN 2391/C-ST 35,4 15x1,5		
5685-0	6	840.0652-00		Screw M6S 20x90 8.8 ISO 4017		X
5685-2	6	847.0132-00		Washer BRB 21x36 HB200 SS 3576		X
5705-0	1	442.8755-01		Oil seal ring		X
5750-0	1	900.0981-00		Plug BSPT 1" hexagon		

(Continued)

Cat. no.	Qty.	Part number	Alternative	Description	Remarks	Wear parts
6005-0	1	452.4218-901	X	Concave alt	See chapter Mainshaft	
6006-0	1	452.4289-901	X	Filler ring alt	See chapter Mainshaft	
6007-9	2	831.0016-00		Casting compound		
6007-4	6	442.8881-01		Washer		
6007-3	6	442.8908-01		Hose 31.5-0.6		
6007-2	6	442.7252-01		Shim		
6007-2	6	442.7252-02		Shim		
6007-2	6	442.7252-03		Shim		
6007-2	6	442.7252-04		Shim		
6007-1	6	442.8881-01		Washer		
6007-0	6	840.1075-00		Screw M6S 30x380 8.8		
6008-0	4	442.9415-00		Wear plate		
6020-0	6	840.1075-00		Screw M6S 30x380	Fasteners for concave, to support ring and topshell	X
6020-1	6	845.0284-00		Lock nut M30 8 FZB DIN 985		
6020-2	6	442.7253-01		Sleeve		
6020-4	6	442.7271-01		Washer		
6020-8	54	863.0058-00		Disc spring 90x46x5		
6050-0	1	442.8793-01		Support ring		X
6105-0	4	442.8290-01		Dowel pin	Dowel for support ring	X

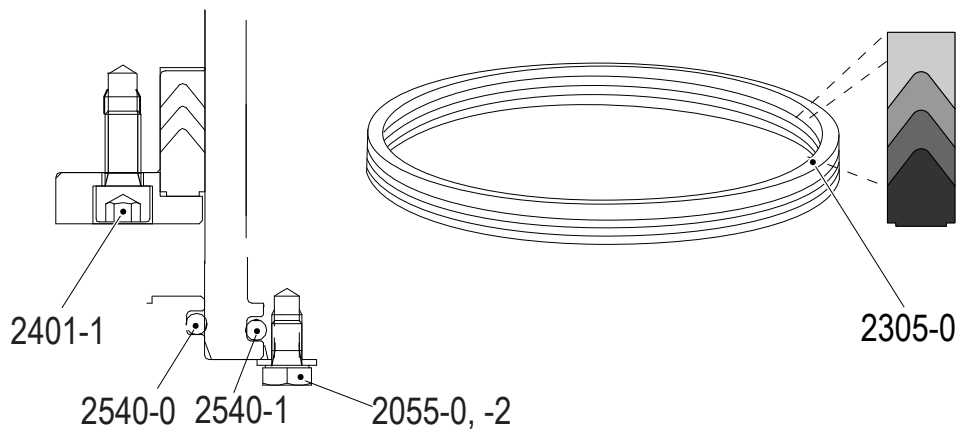
10. Hydroset cylinder assembly



Pos. no	Cat. no.	Qty.	Part number	Alternative	Description	Remarks	Wear parts
1	2005-0	1	442.8722-01		Hydroset cylinder		
2		20	840.0672-00		Screw M6S 24x100 8.8 ISO 4014		
3		38	847.0124-00		Washer BRB 25x45 HB200 SS 3576		
4	2505-0	1	442.8724-01		Hydroset cylinder bushing		
5		4	840.0019-00		Screws M6S 8x12 8.8		

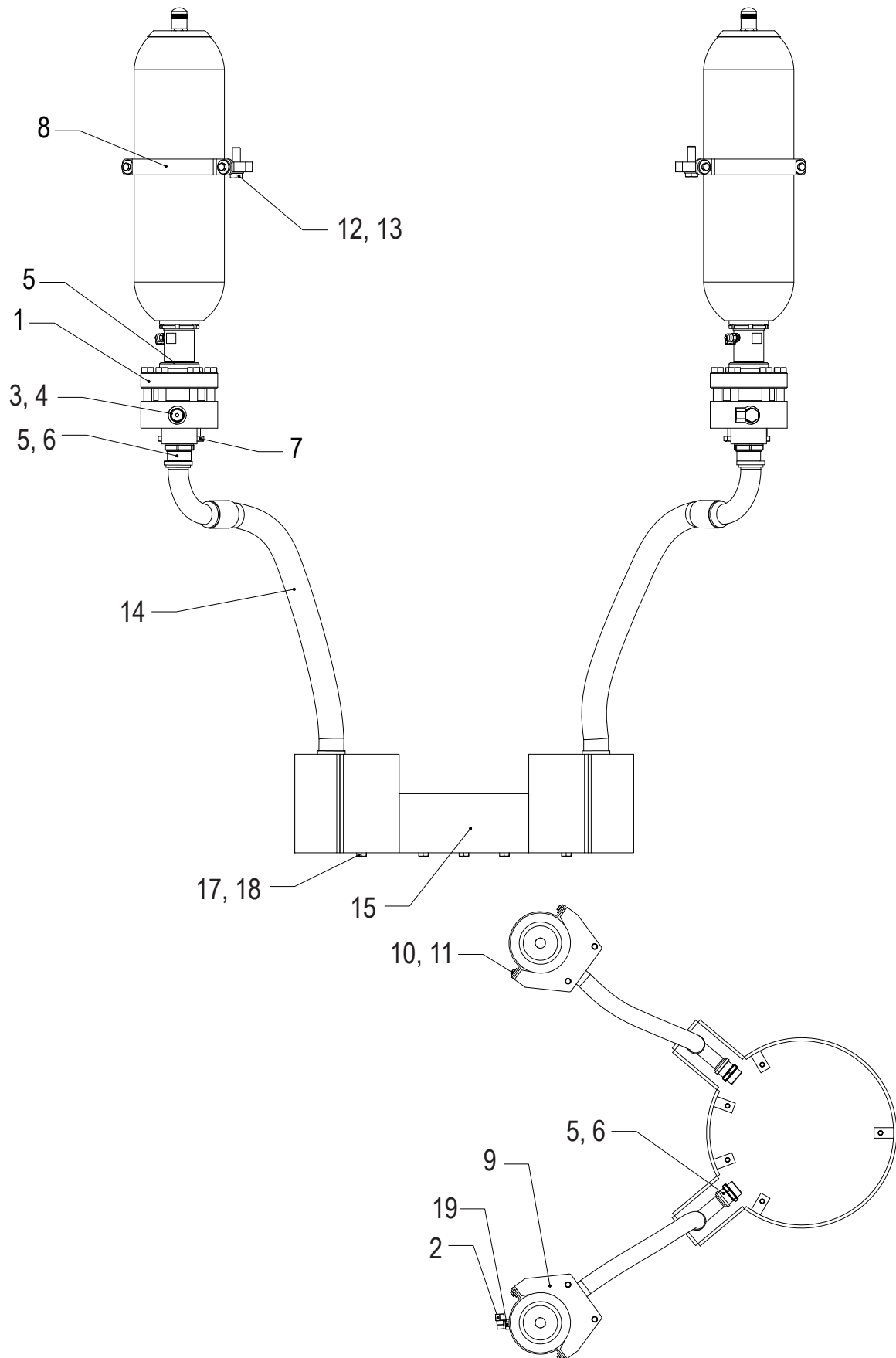
Pos. no	Cat. no.	Qty.	Part number	Alternative	Description	Remarks	Wear parts
6		7	847.0012-00		Washer BRB 8,4x16 HB200 ISO 7089		
7	2205-0	1	442.8758-00		Piston		
8		1	853.0119-00		Pin CP 25m6x60 SMS 2374		
9	2260-0	1	442.8730-01		Piston wearing plate		X
10	2280-0	1	442.8731-01		Step washer		X
11	4075-0	1	442.8732-01		Mainshaft step		X
12	2305-0	1	442.8739-00		Chevron packing	See below	
13	2400-0	1	442.8725-01		Packing clamp plate		
14		8	841.0266-00		Screw MC6S 12x25 8.8		
15	2505-0	1	452.4865-01		Hydroset cylinder cover		
16	2560-0	1	442.8783-01		Plug		
17	2560-1	1	873.0111-00		O-ring 44,2x3 SMS 1586		
18	2530-0	1	902.0605-00		Air bleeder UV121		
19		6	840.0023-00		Screw M6S 8x25 8.8 ISO 4017		
20		1	873.1152-00		O-Ring 625x7 SMS 1586		
21		1	873.0838-00		O-ring 499,3x5,7 SMS 1586		
22		1	873.1277-00		O-ring		
23		18	840.0674-00		Screw M6S 24x120 8.8 ISO 4014		

10a. Chevron packing



Cat. no.	Qty.	Part number	Alternative	Description	Remarks	Wear parts
2055-0	1	840.0019-00		Screw MC6S 8x12 8.8		X
2055-2	1	847.0012-00		Washer BRB 8,4x16 HB200 ISO 7089		X
2305-0	1	442.8739-00		Chevron packing		X
2401-0	8	841.0266-00		Screw MC6S 12x25 8.8		X
2540-0	1	873.0838-00		Seals O-ring 499,3x5,7 SMS 1586		X
2540-1	1	873.1277-00		Seal O-ring 548,0x5,7 SMS 1586		X

11. Hydroset system



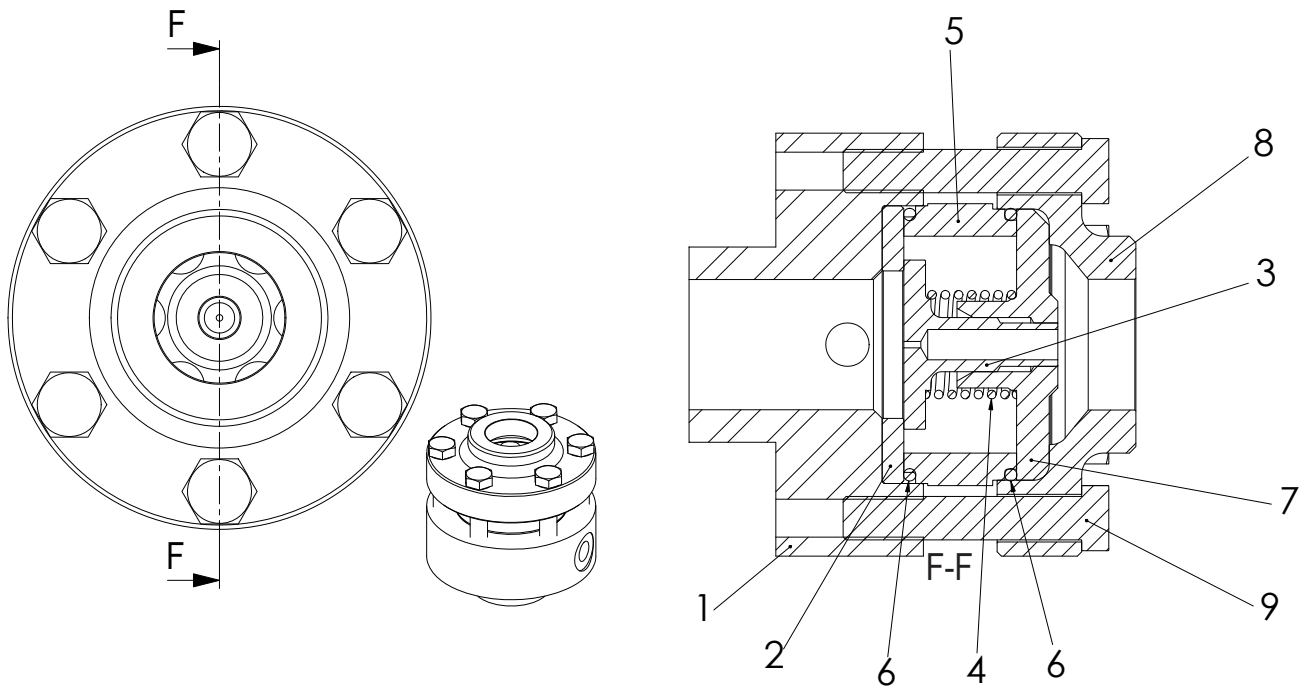
Pos. no	Cat. no.	Qty.	Part number	Alternative	Description	Remarks	Wear parts
1		2	442.8777-00		Check valve Pt.	See next page	
2		1	900.0964-00		L-adapter G 3/4 -14 Swivel		
3		1	900.2265-00		Plug VSTI R 3/4" - ED		
4		2	873.0385-00		Seal ring Tredo 20		
5		6	873.0390-00		Seal ring Tredo 30		
6		4	900.0659-00		Adapter G 2 B -11		
7		4	840.0076-00		Screw M6S M20x40 8.8 ZP Pt.		
8		2	452.0441-001		Clamp Pt.		
9		2	452.4862-001		Support Accumulator Pt.		
10		4	840.0048-00		Screw M6S M12x45 8.8 ZP Pt.		
11		4	847.0059-00		Washer TBRB 13,5x36 ZP		
12		4	840.0650-00		Screw M6S M20x65 8.8 ZP Pt.		
13		4	847.0132-00		Washer round 21x36 ZP Pt.		
14		2	452.2899-001		Hose SAE 100 R1AT 2"x Pt.		
15		1	452.4933-901		Liner hydroset cylinder cover		
16		1	452.5088-901	X	Accumulator As.		
		2	919.0220-00		Accumulator 20 l 4.2 MPA		
		2	919.0218-00		Accumulator 20 l 6.0 MPA		
17		5	840.0065-00		Screw M6S M16x35 8.8 ZP Pt.		
18		5	847.0016-00		Washer BRB M17x30 ZP		
19		1	900.2041-00		Adapter G 3/4 B -14		

11a Accumulator

452.5088

Pos. no	Cat. no.	Qty.	Part number	Alternative	Description	Remarks	Wear parts
		2	919.0220-00		Accumulator 20 l 4.2 MPA		
		2	919.0218-00		Accumulator 20 l 6.0 MPA		
			919.0205-00		Bladder complete 20l CE		
			919.0125-00		Charging equipment FP UNIT 628500650		

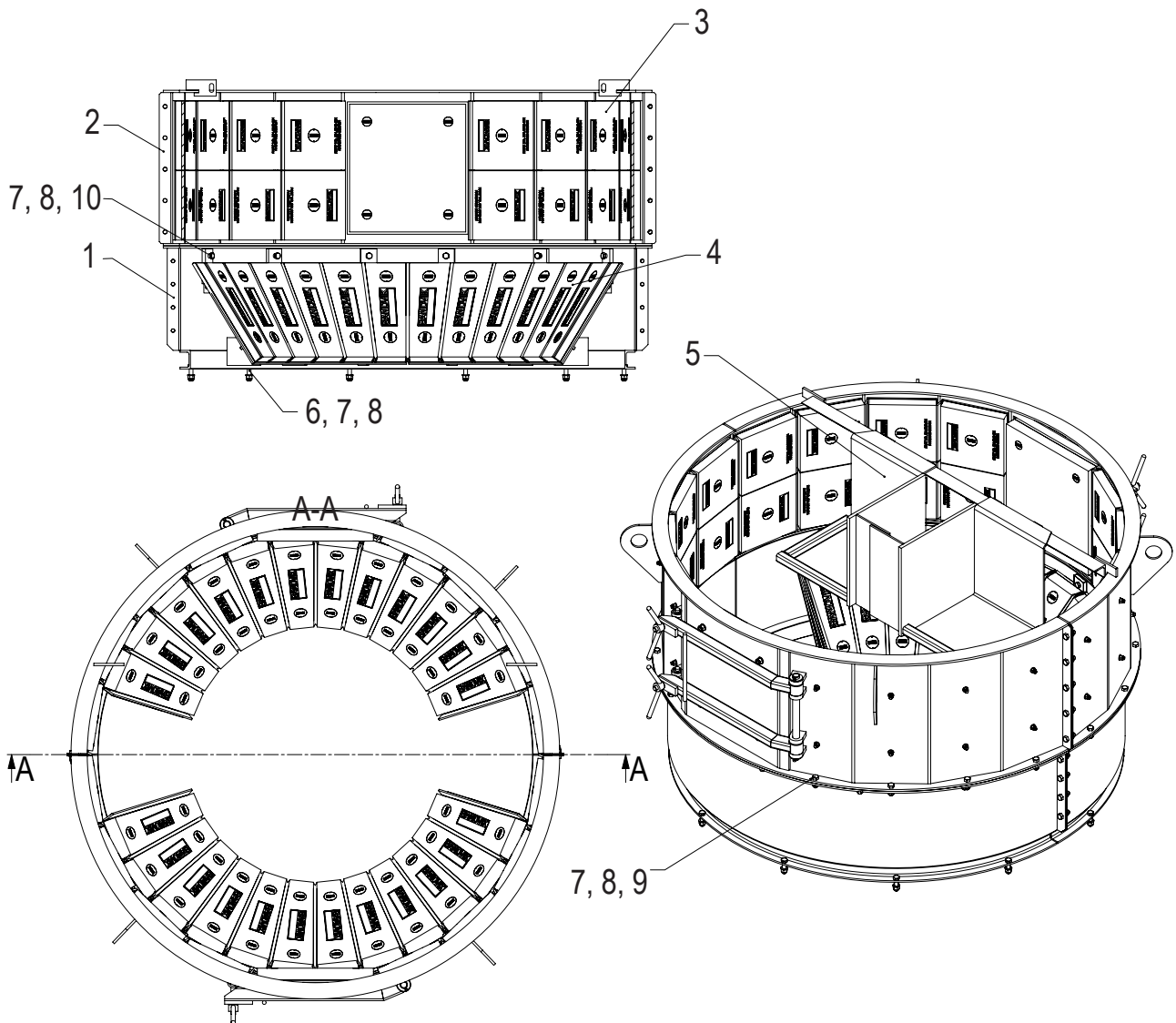
11b. Check valve



Pos no.	Qty.	Part number	Alternative	Description	Remarks	Wear parts
	1	442.8777-00		Check valve		X
01	1	442.9776-01		Flange 2142-50 D 195x88		X
02	1	442.6407-01		Seat 2541-03 D 128/68x10		X
03	1	442.6403-01		Valve 2244-05 D 78x71		X
04	1	127.0004-30		Compression spring 42x4x62		X
05	1	442.6406-01		Body 2172-03 D 130/100x52		X
06	2	847.0130-00		O-ring 114,3x5,7 SMS 1586		
07	1	442.6405-01		Valve guide D 125/20x46,5		
08	1	442.6402-01		Flange 2142-50 D 195/R2x64		
09	6	840.0532-00		Screw M6S 20x110 8.8 ISO 4014		

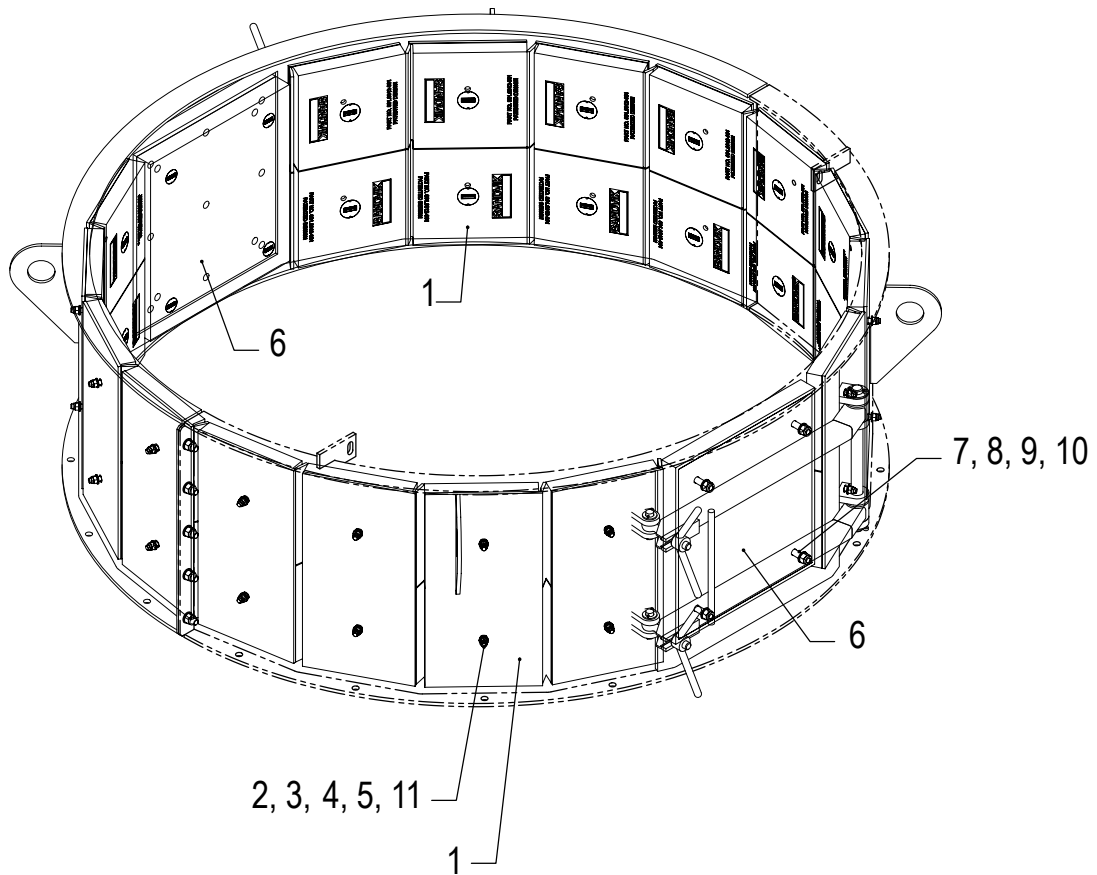
This page is intentionally left blank

12. Feed hopper assembly



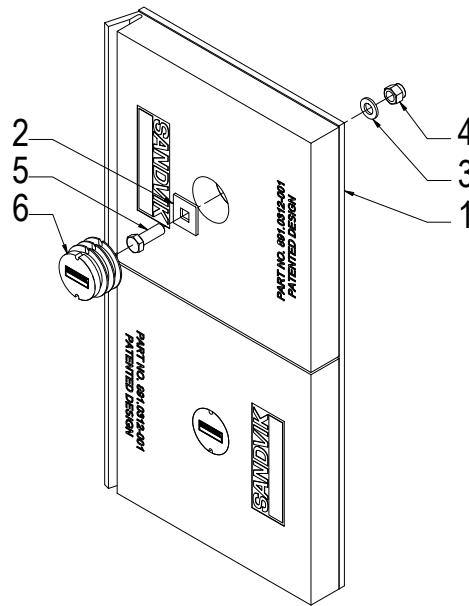
Pos no.	Qty.	Part number	Alternative	Description	Remarks
		452.4132-901		Feed hopper assembly	When order specify including parts
1	1	452.3877-901		Feed hopper, lower	
2	1	452.3878-901		Feed hopper, upper	
3	1	891.1895-901		Feed hopper lining, upper kit	See next page
4	1	452.4197-901		Cones alt. lower	See following page
5	1	452.4306-901		Feed distributor As	See following page Kit item number
6	12	840.0070-00		Screw M6S 16x60 8.8 FZB ISO 4017	
7	40	847.0016-00		Washer BRB 17x30 HB200 ISO 7089	
8	40	845.0215-00		Nut Lock ISO 7040 M16 8 FZB	
9	16	840.0067-00		Screw M6S 16x45 8.8 ISO 4017	
10	12	840.0069-00		Screw M6S 16x55 8.8 ISO 4017	

12a. Feed hopper lining



Pos no.	Qty.	Part number	Alternative	Description	Remarks
		891.1895-901		Feed hopper lining kit	
1	16	891.1896-901		Feed hopper lining	See Feed hopper lining
2	32	891.0462-001		Square Washer	
3	32	847.0147-00		Round washer 13x24 ZP Pt.	
4	32	845.0030-00		Lock nut M12 8 ZP Pt.	
5	32	843.1323-00		Carriage bolt M12x40 4.6 ZP Pt.	
6	2	442.9750-01		Rubber Sheet	See Rubber Sheet
7	8	845.0215-00		Nut lock ISO 7040 M16 8 fzb	
8	16	847.0016-00		Washer BRB 17x30 HB200 ISO 7089	
9	8	840.0070-00		Screw M6S M16x60 8.8 ZP Pt.	
10	8	873.1287-00		Rubber plug Ø40x40	
11	32	891.0401-001		Rubber plug ø54 x 40 mm	

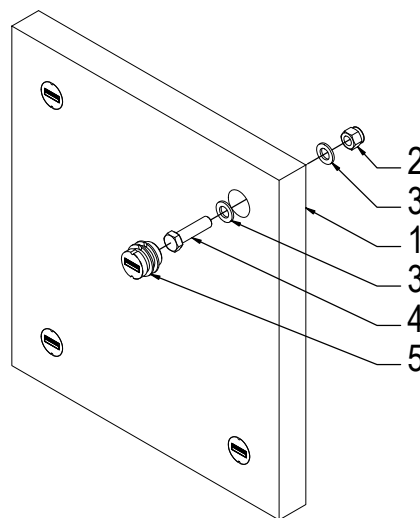
12b. Feed hopper lining



Pos no.	Qty.	Part number	Alternative	Description	Remarks
		891.2128-901		Rubber lining kit	
1	1	891.1896-901		Feed hopper lining	
2	2	891.0462-001		Square washer	
3	2	847.0147-00		Washer BRB 13x24 HB200 ISO 7089	
4	2	845.0030-00		Lock nut M12 8 fzb ISO 7040	
5	2	840.0046-00		Screw M6S 12x35 8.8 ISO 4017	
6	2	891.0401-001		Rubber plug Ø 54x40 mm	

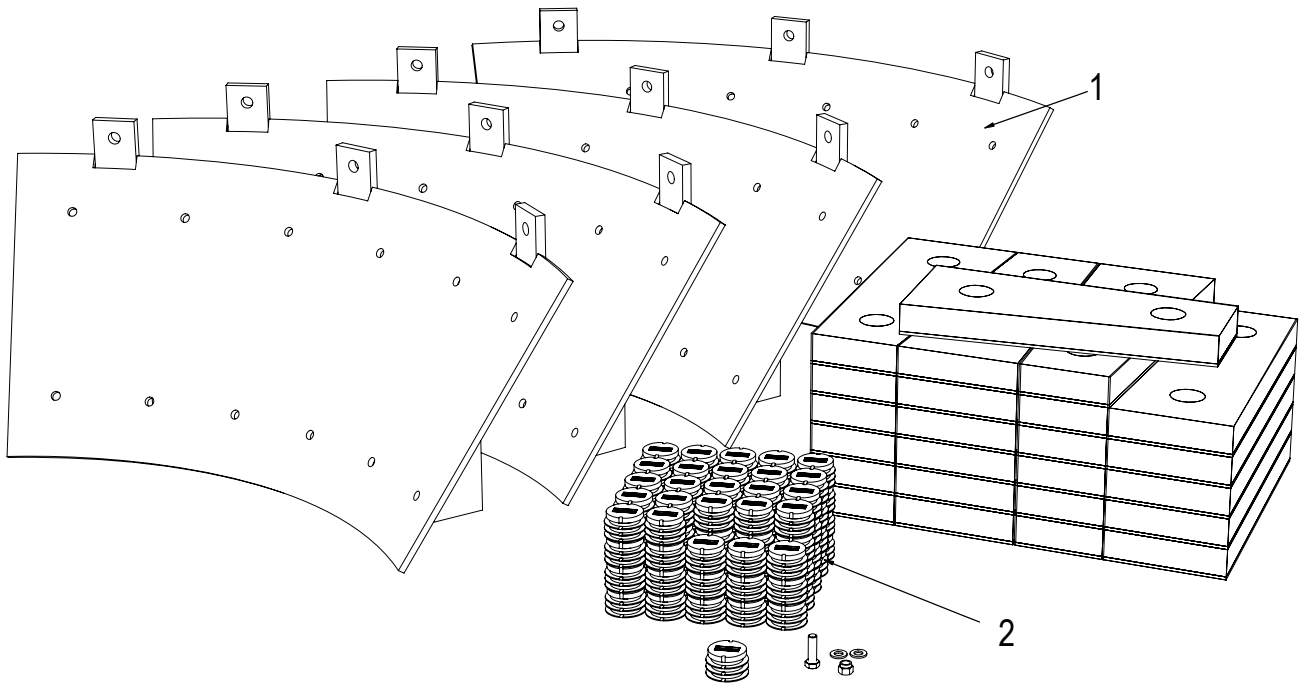
12c. Rubber sheet

891.2129



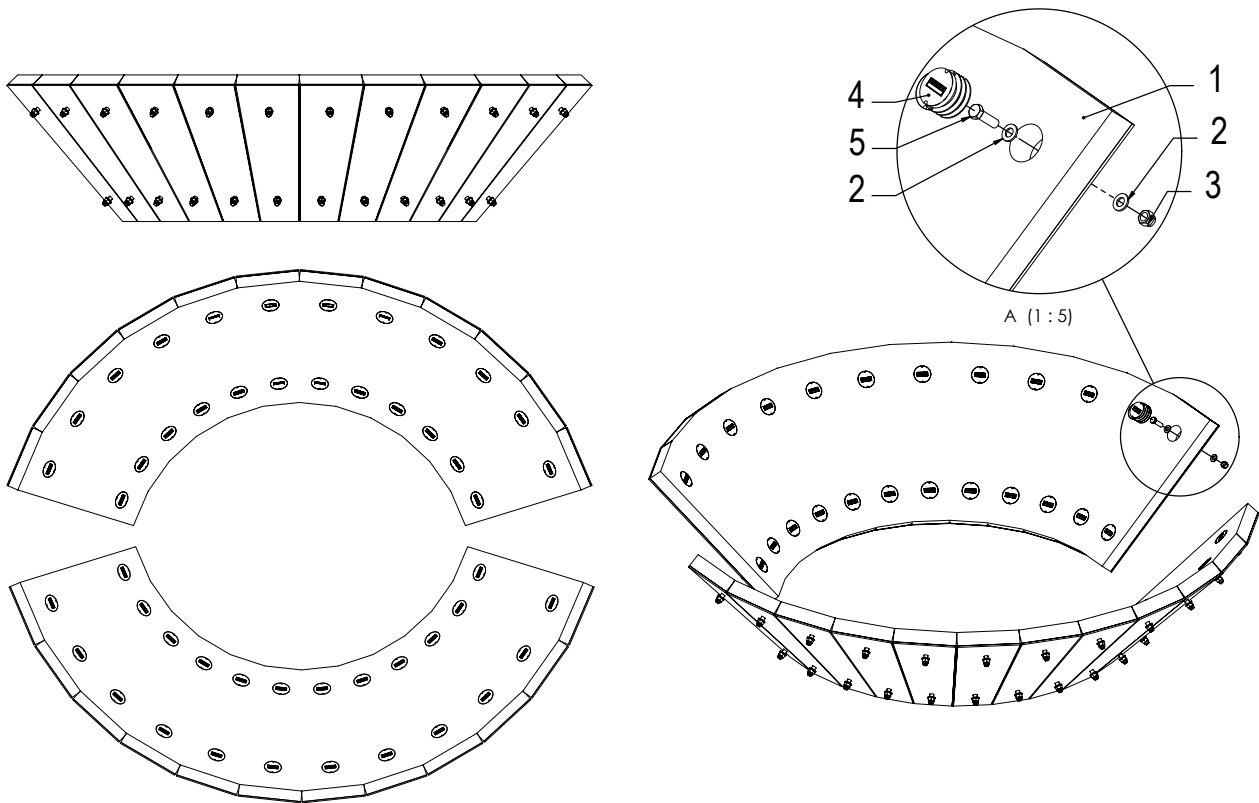
Pos no.	Qty.	Part number	Alternative	Description	Remarks
		891.2129-901		Rubber lining kit	
1	1	442.9750-01		Rubber sheet	
2	4	845.0215-00		Nut lock ISO 7040 M16 8 fzb	
3	8	847.0016-00		Washer BRB 17x30 HB200 ISO 7089	
4	4	840.0070-00		Screw M6S 16x60 8.8 fzb ISO 4017	
5	4	873.1287-00		Rubber plug Ø 40x40	

12d. Cones alt



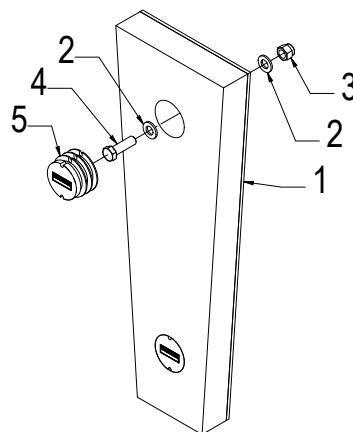
Cat no	Pos. no	Qty.	Part number	Alternative	Description	Remarks
			452.4213-901	X	Cones MC	
	1	4	452.4216-901		Cone MC	
	2	1	891.1908-901		Rubber lining MC kit	See following page
			452.4212-901	X	Cones C	
	1	4	452.4214-901		Cone C	
	2	1	891.1902-901		Rubber lining C kit	See following page
			452.4211-901	X	Cones EC	
	1	4	452.4202-901		Cone EC	
	2	1	891.1897-901		Rubber lining EC kit	See following page

12e. Rubber lining MC kit



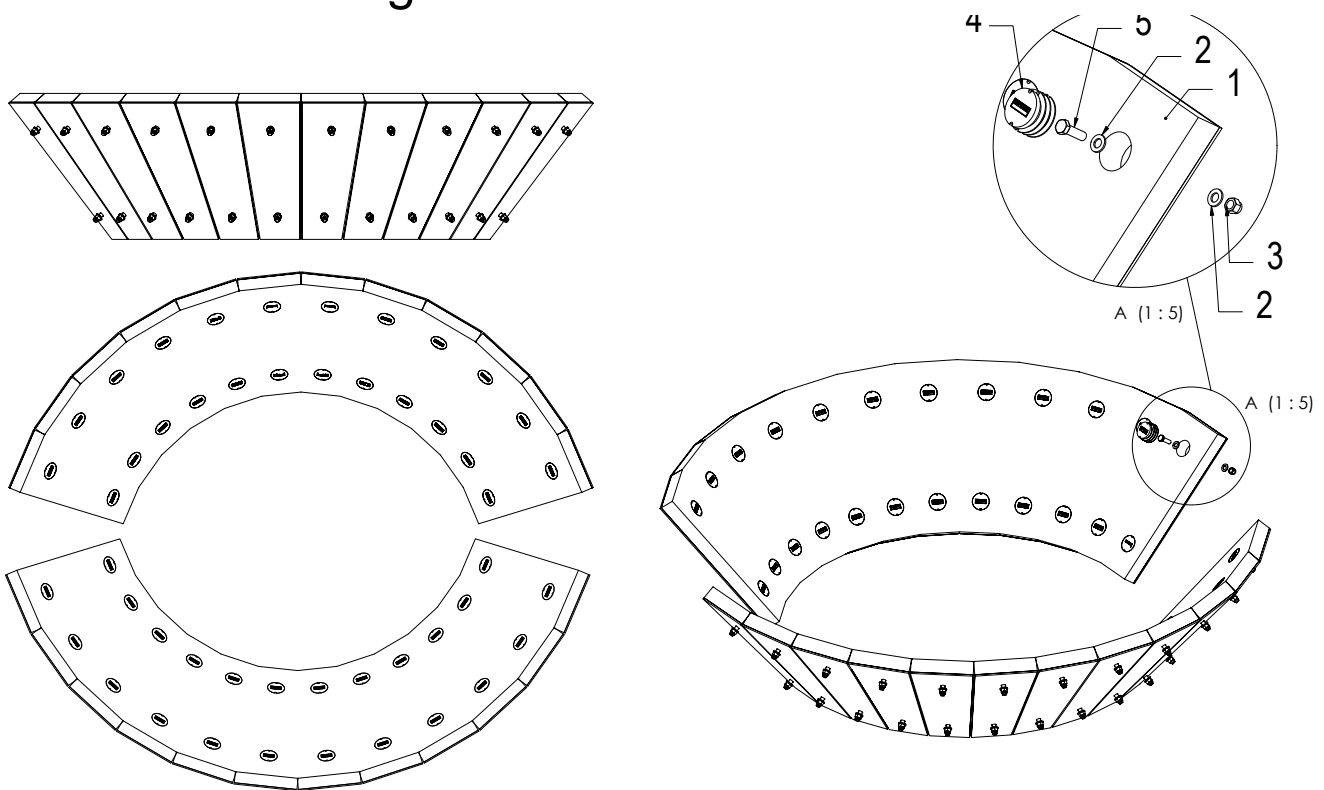
Cat no	Pos. no	Qty.	Part number	Alternative	Description	Remarks
			891.1908-901		MC cone kit	
	1	24	891.1909-901		Rubber lining cone MC	
	2	96	847.0147-00		Washer BRB 13x24 Hb200 ISO 7089	
	3	48	845.0030-00		Lock nut M12 8 fzb ISO 7040	
	4	48	891.0401-001		Rubber plug Ø54x40mm	
	5	48	840.0047-00		Screw M6S 12x40 8.8 ISO 4017	

Cone MC



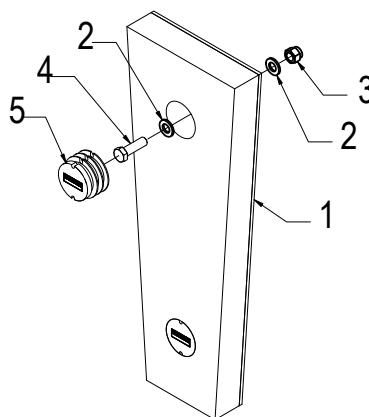
Pos. no	Qty.	Part number	Alternative	Description	Remarks
		891.2132-901		Rubber lining MC cone kit	
1	1	891.1909-901		Rubber lining	
2	4	847.0147-00		Washer BRB 13x24 Hb200 ISO 7089	
3	2	845.0030-00		Lock nut M12 8 fzb ISO 7040	
4	2	840.0047-00		Screw M6S 12x40 8.8 ISO 4017	
5	2	891.0401-005		Rubber plug Ø54x30	

12f. Rubber lining C kit



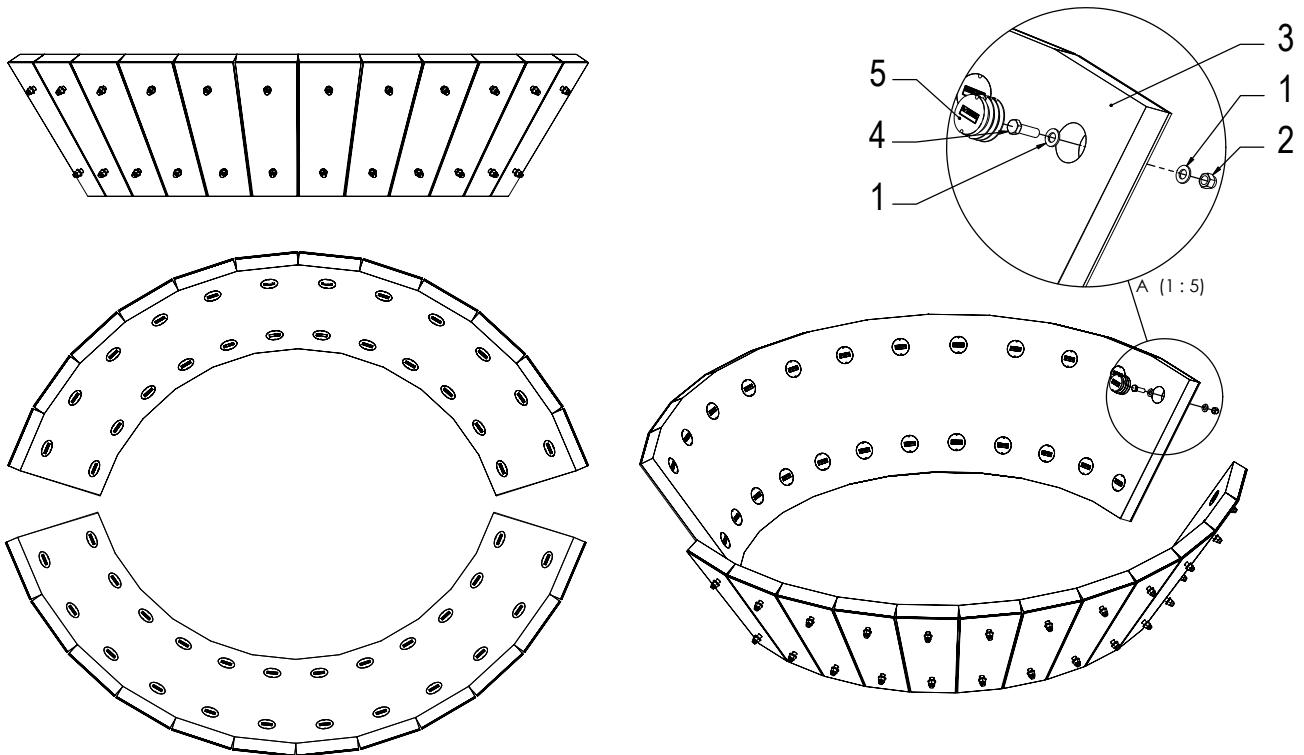
Cat no	Pos. no	Qty.	Part number	Alternative	Description	Remarks
			891.1902-901		C cone kit	
	1	24	891.1903-901		Rubber lining	
	2	96	847.0147-00		Washer BRB 13x24 Hb200 ISO 7089	
	3	48	845.0030-00		Lock nut M12 8 fzb ISO 7040	
	4	48	891.0401-001		Rubber plug Ø54x40mm	
	5	48	840.0047-00		Screw M6S 12x40 8.8 ISO 4017	

Cone C



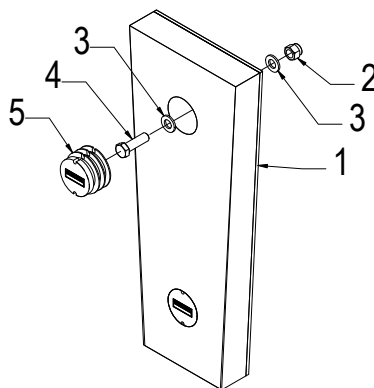
Pos. no	Qty.	Part number	Alternative	Description	Remarks
		891.2131-901		Rubber lining C cone kit	
1	1	891.1903-901		Rubber lining	
2	4	847.0147-00		Washer BRB 13x24 Hb200 ISO 7089	
3	2	845.0030-00		Lock nut M12 8 fzb ISO 7040	
4	2	840.0047-00		Screw M6S 12x40 8.8 ISO 4017	
5	2	891.0401-005		Rubber plug Ø54x30	

12g. Rubber lining EC kit



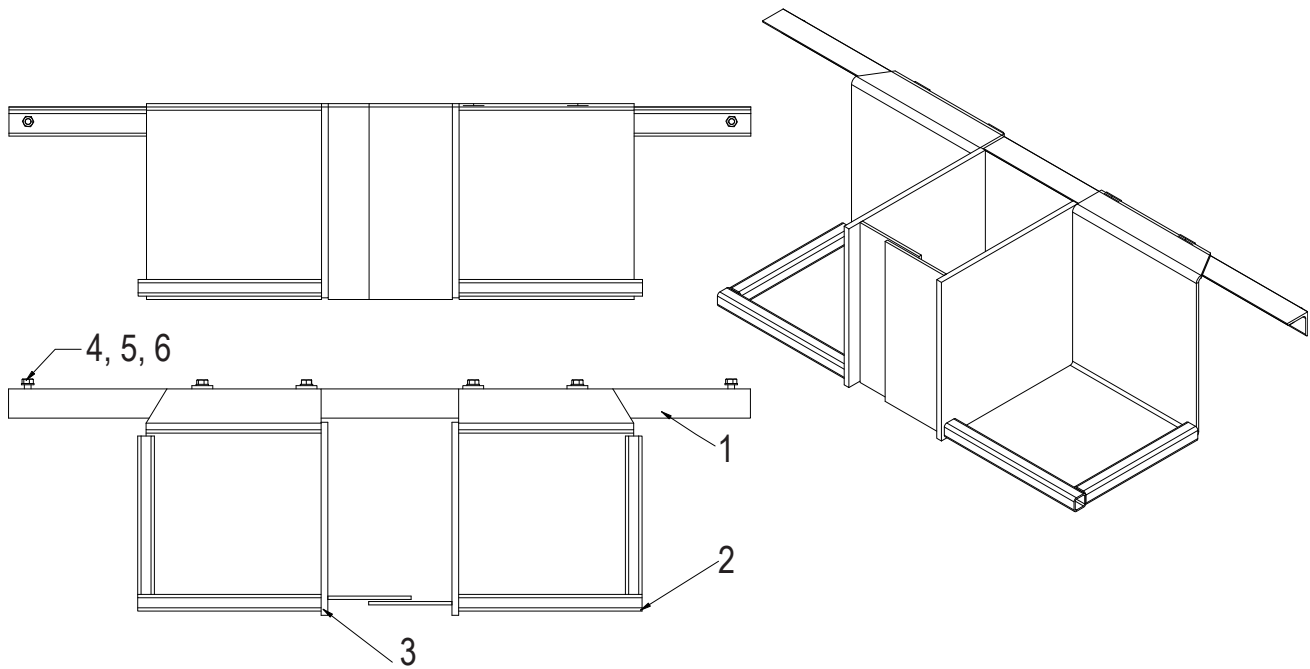
Cat no	Pos. no	Qty.	Part number	Alternative	Description	Remarks
			891.1897-901		EC cone kit	
	1	96	847.0147-00		Washer BRB 13x24 Hb200 ISO 7089	
	2	48	845.0030-00		Lock nut M12 8 fzb ISO 7040	
	3	24	891.1898-901		Rubber lining cone EC	
	4	48	840.0047-00		Screw M6S 12x40 8.8 ISO 4017	
	5	48	891.0401-001		Rubber plug Ø54x40mm	

Cone EC



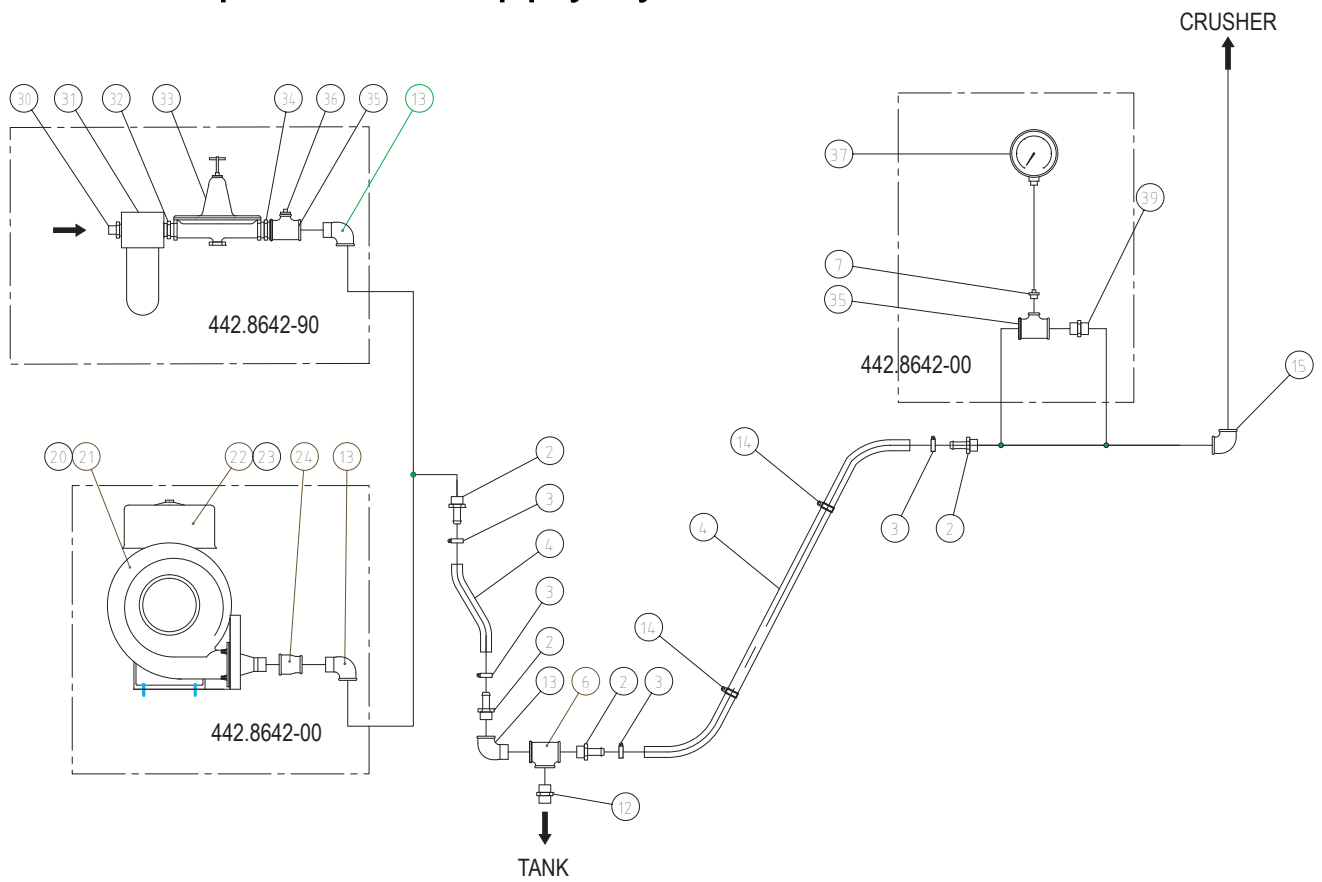
Pos no	Qty.	Part number	Alternative	Description	Remarks
		891.2130		Rubber lining EC cone kit	
1	1	891.1898-901		Rubber lining EC cone	
2	2	845.0030-00		Lock nut M12 8 fzb ISO 7040	
3	4	847.0147-00		Washer BRB 13x24 Hb200 ISO 7089	
4	2	840.0047-00		Screw M6S 12x40 8.8 ISO 4017	
5	2	891.0401-005		Rubber plug Ø54x30	

12h. Feed distributor



Pos no.	Qty.	Part number	Alternative	Description	Remarks
1	1	442.8853-01		Bracket	
2	1	442.5621-90		Feed distributor left	
3	1	442.5621-00		Feed distributor right	
4	6	840.0065-00		Screw M6S 16x35 8.8 ISO 4017	
5	6	847.0016-00		Washer BRB 17x30 HB200 ISO 7089	
6	6	845.0009-00		Nut M6m M16 fzb ISO 4032	

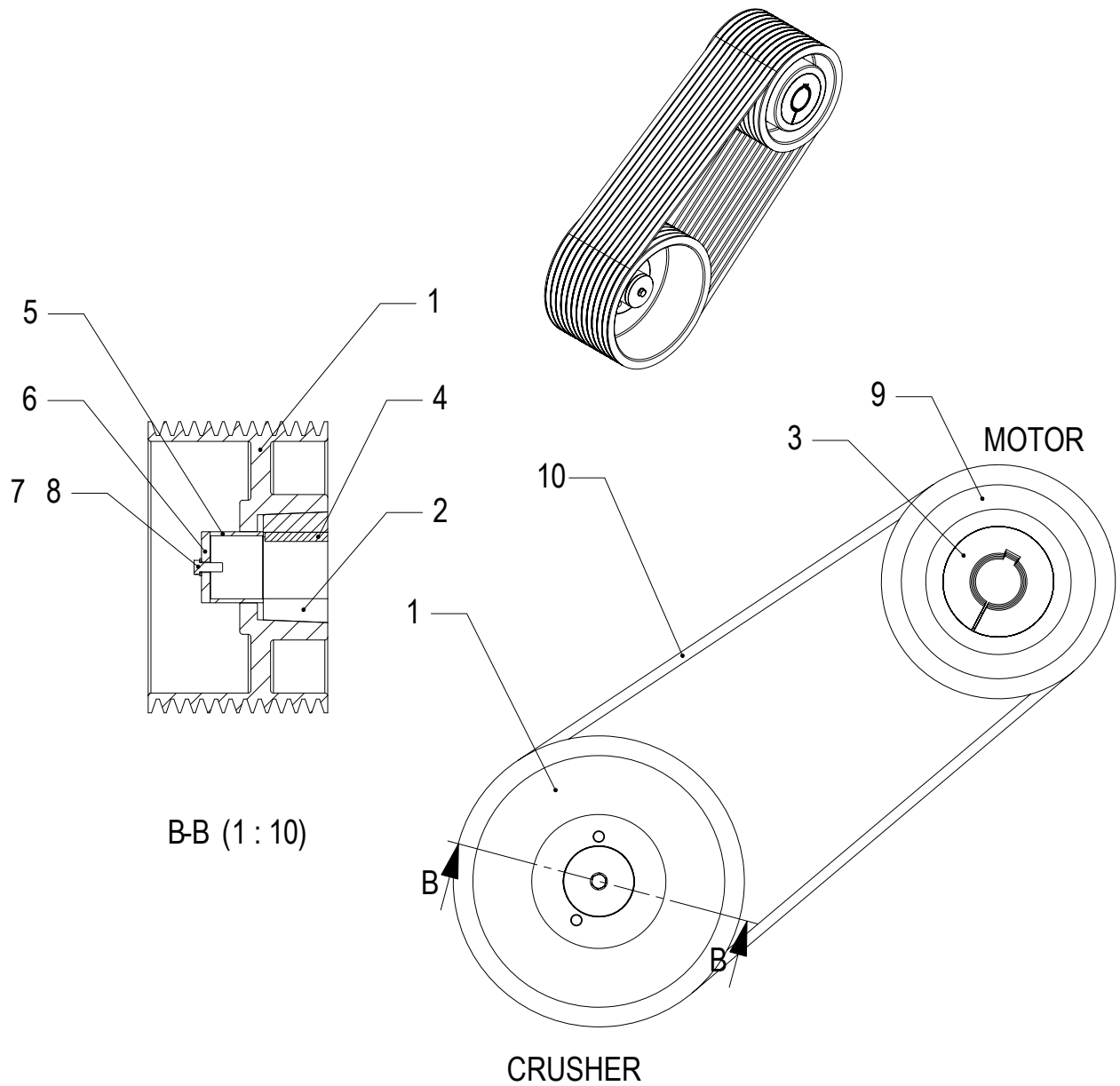
13. Over pressure supply system



Pos. no.	Qty.	Part number	Alternative	Description	Remarks
		442.8642-00		Over pressure unit	Complete kit
		442.8642-90		Over pressure unit for compressed air	Complete kit
02	4	900.1424-00		Hose coupling 3/4	
03	4	900.1358-00		Clips 28 SMS 2298 Dy 23-27mm	
04	5	819.0187-00		Hose 1	
06	1	900.0040-00		Tee ISO49 B1 3/4	
12	4	900.0365-00	-00	Hexagon nippel R 3/4	
13	4	900.0022-00	-00	Elbow 3/4 A4 SMS 435	
14	5	900.1139-00	-00	Clip RSGU 1.22/15	
15	1	900.0005-00	-00	"Elbow ISO49 A1 3/4""	
20	1	442.9325-00	-00	Over pressure fan	
22	2	912.0138-00	-00	Air filter Purolator PI 0154	
24	2	900.0108-00	-00	Wrought iron pipe fittings 1x3/4	
07	1	900.0209-00	-90	Plug R 3/8 ISO 49 T8 FZV	
13	2	900.0022-00	-90	Elbow 3/4 A4 SMS 435	
14	2	900.1139-00	-90	Clip RSGU 1.22/15	
15	1	900.0005-00	-90	Elbow ISO49 A1 3/4	
30	1	900.0180-00	-90	Nipple ISO49 N8 1/2x1/4	
31	1	912.0113-00	-90	Air filter 504-2S 5 Micron	
32	1	900.0169-00	-90	Nipple 1/4 ISO49 N8	
33	1	902.0645-00	-90	Regulator 216-2-8	
34	1	900.0182-00	-90	Nipple ISO49 N8 3/4x1/4	
35	2	900.0054-00	-90	Tee ISO49 B1 3/4x3/8	
36	1	900.0209-00	-90	Plug R 3/8 ISO 49 T8 FZV	
37	1	923.0267-00	-90	Pressure gauge 2060 D100 0-1000 PA	
39	1	900.0172-00	-90	Nipple ISO49 N8 3/4	

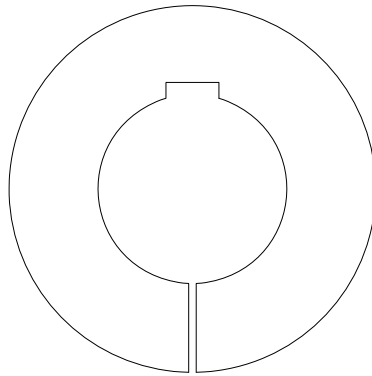
This page is intentionally left blank

14. V-belt drive SPC 50Hz



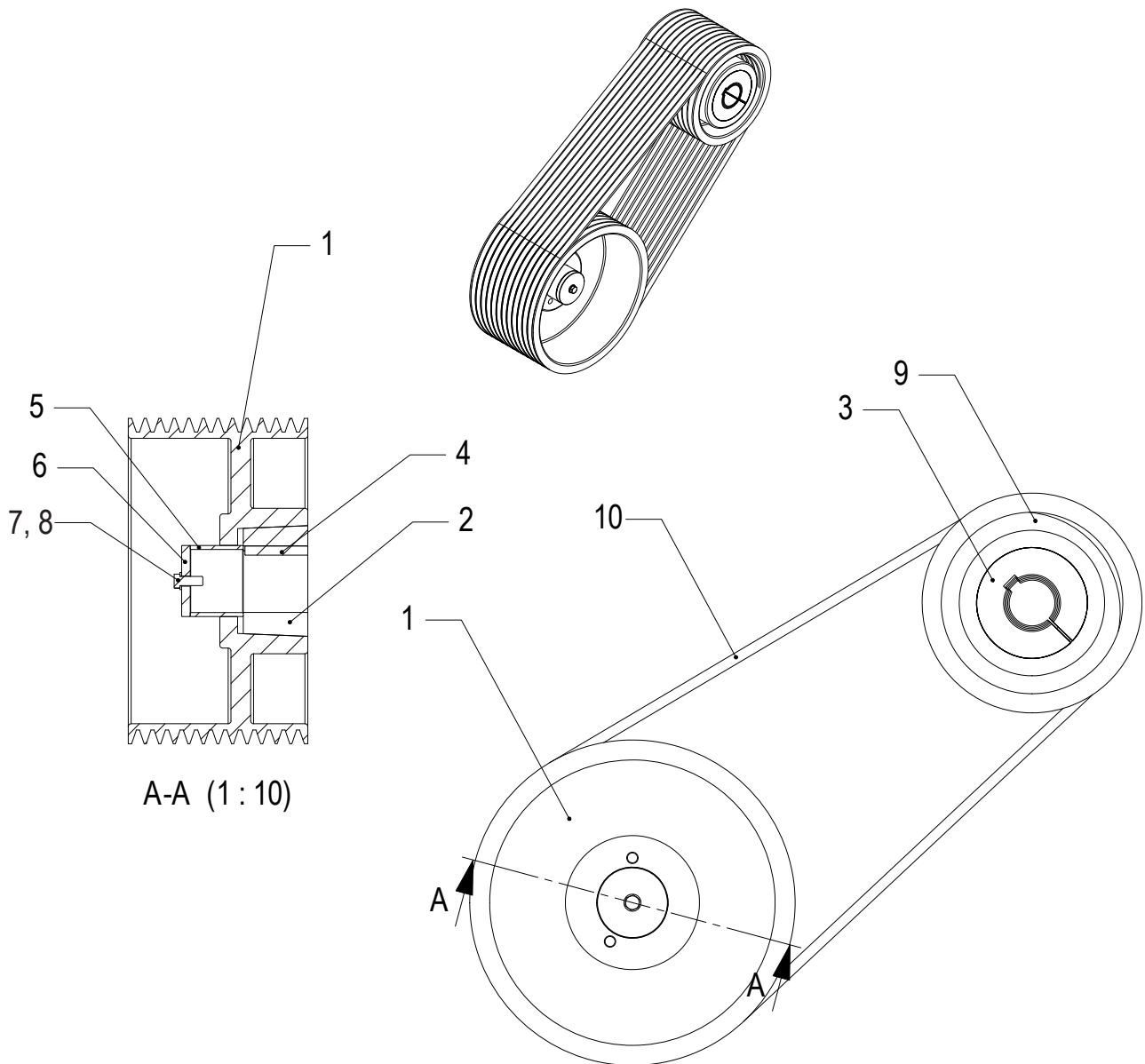
Pos no	Qty.	Part number	Alternative	Description	Remarks
1	1	879.0497-00		V-belt pulley 500 MTG125 12xSPC	
2	1	869.0286-00		Bushing MGT 125 Di 110	
3	1	452.4718-901	X	Bushing SPC alt. motor	See next page
4	1	857.0336-00		Key T 28x16x110 SMS 2307	
5	1	442.8788-01		Spacer	
6	1	442.8787-01		Washer	
7	1	847.0016-00		Washer BRB 17x30 ISO 7089	
8	1	840.0066-00		Screw M6S M16x40 8.8 fzb ISO4017	
9	1	879.0499-00		V-belt pulley 400 MGT 125 12xSPC	
10	12	857.0269-00		V-belt SPC 3000	

14a. Bushing SPC alt. motor



Pos no	Qty.	Part number	Alternative	Description	Remarks
	1	869.0235-00		Bushing MGT 125 di 100	
		869.0286-00		Bushing MGT 125 di 110	
		869.0261-00		Bushing MGT 125 di 80	
		869.0278-00		Bushing MGT 120 di 85	
		869.0283-00		Bushing MGT 125 di 95	
		869.0295-00		Bushing MGT 125 di 90	

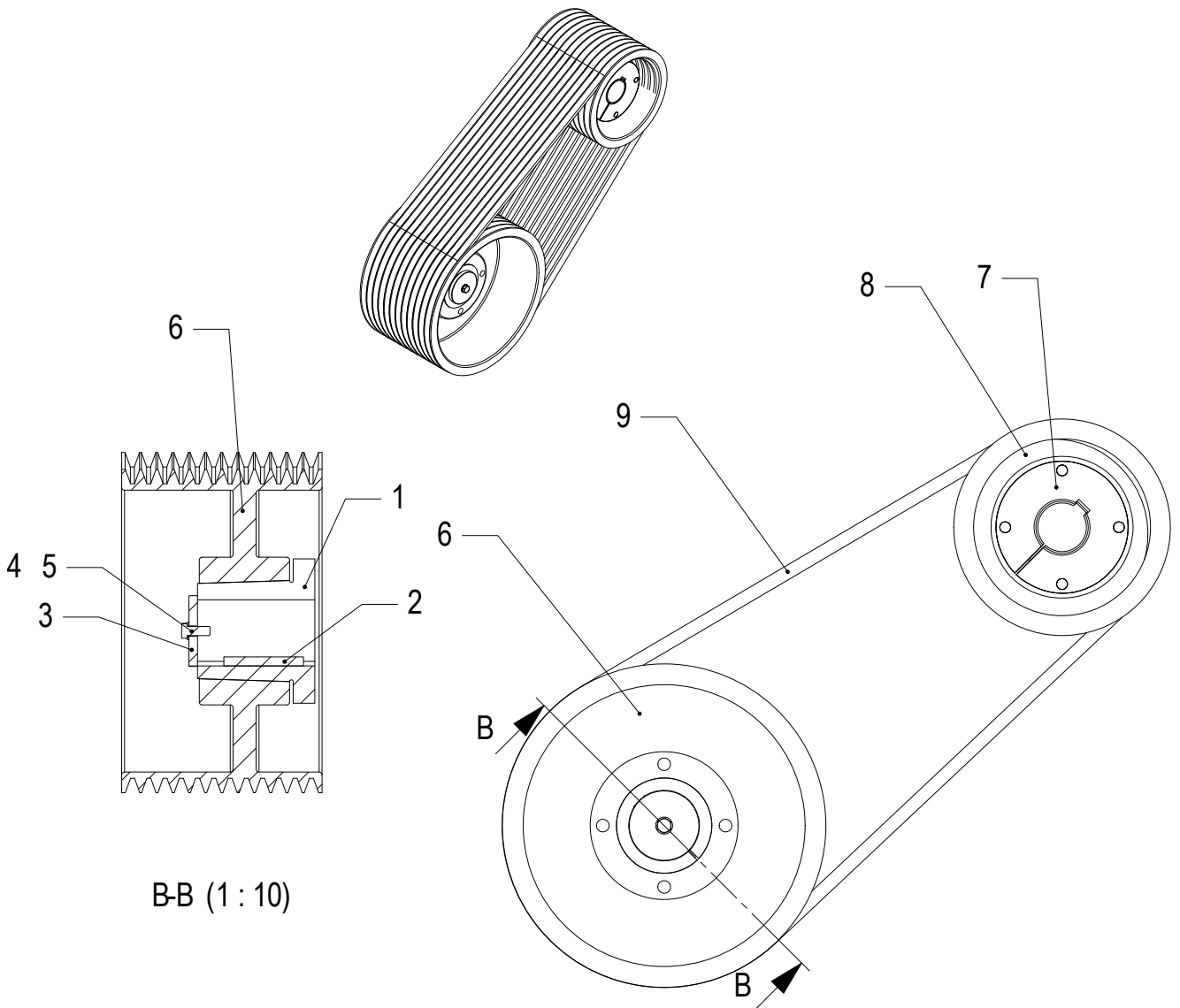
15. V-belt drive SPC 60Hz



Pos no	Qty.	Part number	Alternative	Description	Remarks
1	1	879.0510-00		V-belt pulley 560 MTG125 12xSPC	
2	1	869.0286-00		Bushing MGT NR 125 Di 110	
3	1	452.4718-901		Bushing SPC alt. motor	See chapter 14a
4	1	857.0336-00		Key T 28x16x110 SMS 2307	
5	1	442.8788-01		Spacer	
6	1	442.8787-01		Washer	
7	1	847.0016-00		Washer BRB 17x30 HB200 ISO 7089	
8	1	840.0066-00		Screw M6S M16x40 8.8 fzb ISO4017	
9	1	879.0509-00		V-belt pulley 375 MGT125 12xSPC	
10	12	875.0246-00		V-belt SPC 3150	

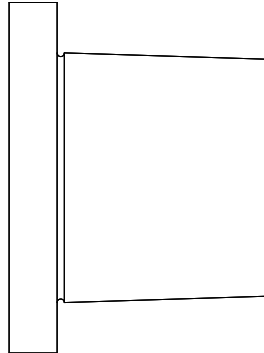
This page is intentionally left blank

16. V-belt drive 8V 60Hz



Pos no	Qty.	Part number	Alternative	Description	Remarks
1	1	869.0330-00		Bushing QD N110mm Di 110	
2	1	857.0356-00		Key T 28x16x140 SMS 2307	
3	1	442.8787-01		Washer	
4	1	847.0016-00		Washer BRB 17x30 HB200 ISO 7089	
5	1	840.0066-00		Screw M6S M16x40 8.8 fzb ISO4017	
6	1	879.0618-00		V-belt pulley QD-N Dy 22,4 12x8	
7	1	452.4726-901		Bushing 8V alt. motor	See next page
8	1	879.0626-00		V-Belt Pulley QD-M Dy 1512x8V	
9	12	875.0331-00		V-belt 8V 1250	

16a. Bushing SPC alt. motor



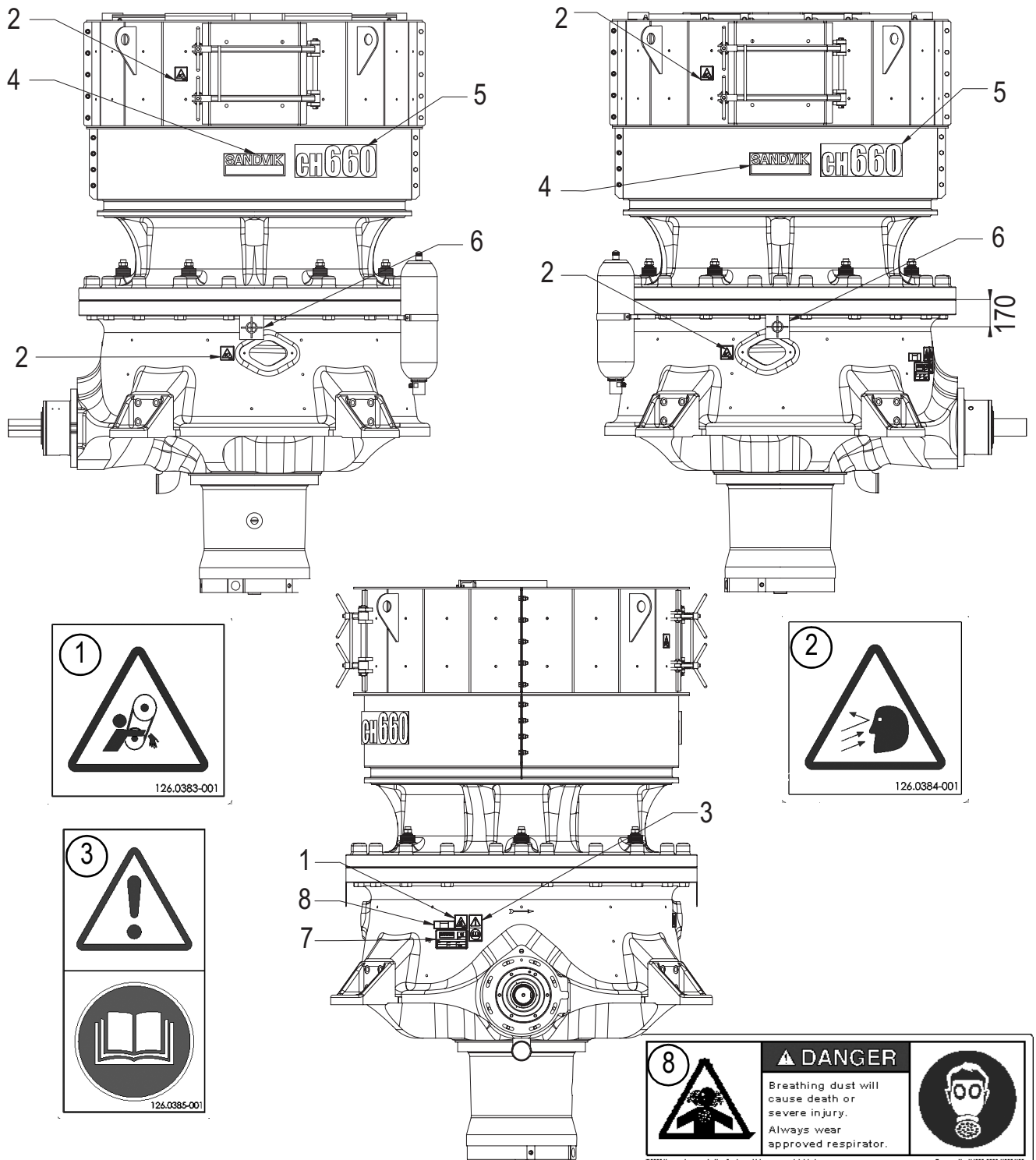
Pos no	Qty.	Part number	Alternative	Description	Remarks
	1	869.0330-00		Bushing QD N110mm Di 110	
		869.0329-00		Bushing QD M100mm Di100	
		869.0339-00		Bushing QD M3-58 di3 5/8	
		869.0338-00		Bushing QD M3-38 di3 3/8	
		869.0333-00		Bushing QD M3-78 di3 7/8	

17. Tool list

Cat. no.	Qty.	Part number	Alternative	Description	Remarks
		442.8877-00		Tool box complete	
	1	442.8879-00		Lifting tool	Eccentric sleeve
	1	442.8880-00		Lifting tool	Bottom shell bushing
	3	843.1511-00		Lowering rod M24x750	Removal of piston
	3	845.0012-00		Nut M6M M24 8	Lowering rod
	1	442.7284-00		Lowering rod M16x600	Removal of main shaft step
	1	442.9996-00		Piston stop plate	Holding piston
	1	840.0542-00		Screw M6S 24x75	For piston stop plate
	1	442.9446-901		Eye bolt	Remove plate, piston
	1	899.0157-00		Eye bolt LT M48	Mainshaft
	3	899.0160-00		Eye bolt LT M20	Spider bushing
	4	899.0147-00		Eye bolt LT M16	Dust, collar, piston
	4	899.0155-00		Eye bolt LT M12	Eccentric unit
	2	899.0244-00		Eye bolt LT M8	Mainshaft sleeve
	1	920.0110-00		Ring spanner striking NV 65 mm	Screw & nut M42
	1	920.0151-00		Ring spanner striking NV 36 mm	Screw & nut M24
	1	920.0131-00		U-ring spanner NV 46 mm	Screw & nut M30
	1	920.0135-00		U-ring spanner NV 36 mm	Screw & nut M24
	1	920.0134-00		U-ring spanner NV 30 mm	Screw & nut M20
	1	920.0022-00		U-ring spanner NV 24 mm	Screw & nut M16
	1	920.0245-00		U-ring spanner NV 16 mm	Screw & nut M10
	1	920.0186-00		U-ring spanner NV 13 mm	Screw & nut M8
	1	920.0041-00		Socket screw key NV 17	Screw MC6S 20
	1	920.0038-00		Socket screw key NV 10	Screw MC6S 12
	1	920.0037-00		Socket screw key NV 8	Screw MC6S 10
	1	920.0035-00		Socket screw key NV 5	Air bleeder valve
	1	920.0032-00		Socket screw key 5/8"	Plug Spider Cap
	1	442.0800-91		Chunk of lead	Check of close side setting
	1	923.0422-00		Feeler gauge 0,05-1 mm L=300	
	1	904.0585-00		Air bleeder hose	Air bleeding system of hyd. system

This page is intentionally left blank

18. Sign assembly



Pos. no.	Qty.	Part number	Alternative	Description	Remarks
1	1	126.0383-001		Risk of crushing	
2	4	126.0384-001		Warning flying fragments	
3	1	126.0385-001		Warning sign read manual	
4	2	126.0445-001		SANDVIK logotype silver 140x385	
5	2	126.0416-001		Sign product name	
6	2	885.0250-00		Sign to mark centre of gravity	
7	1	126.5007-01		Identification plate	
8	1	885.0267-00		Warning sign Danger	

This page is intentionally left blank

19. Service/Repair kit

Locating bar kit 452.5799-901					
Pos no	Qty.	Part number	Alternative	Description	Remarks
1410-0	1	442.8762-01		Locating bar	
1411-0	1	442.8809-01		Shim t=0,1	
	1	442.8809-02		Shim t=0,5	
	1	442.8809-03		Shim t=0,7	
	1	442.8809-04		Shim t=1,0	
1412-0	3	841.0019-00		Screw MC6S 10x40 12.9	

Pinionshaft housing repair kit 452.5576-901					
Cat no	Qty.	Part number	Alternative	Description	Remarks
3030-0	1	442.8803-01		Gasket T=0.5	
	1	442.8803-02		Gasket T=0.8	
	1	442.8803-03		Gasket T=1.5	
3070-1	1	868.0799-00		Bearing	
3070-2	1	868.0806-00		Bearing	
3090-1, -2	2	442.8771-01		Spacer	
3120-1, -2	2	873.0128-00		O-ring	
3170-1, -2	2	873.1161-00		Sealing ring	
3240-1	1	442.8775-01		Gasket	
3240-2	1	442.8774-01		Gasket	
3240-2	1	442.8774-02		Gasket	
3585-1	1	873.0385-00		Sealing Ring Tredo 20	
3590-1	2	873.0108-00		O-ring	

Fastener kit for concave & support ring 452.5793-901					
Cat no	Qty.	Part number	Alternative	Description	Remarks
6020-0	6	840.1075-00		Screw M6S 30x380 8.8	
6020-1	6	845.0284-00		Nut Lock M30	
6020-2	6	442.7253-01		Sleeve	
6020-4	6	442.7271-01		Washer	
6020-8	54	863.0058-00		Disc spring	

(Continued)

Bottomshell arm liner kit 452.5470-901					
Pos no	Qty.	Part number	Alternative	Description	Remarks
	4	452.5227-001		Liner narrow arm	
	1	452.5222-001		Liner pinionshaft arm	

Rubber lining wall protection kit 891.2133-901					
Pos no.	Qty.	Part number	Alternative	Description	Remarks
1	1	891.1891-901		Wall protection	
2	1	891.1893-901		Wall protection	
3	3	891.1858-901		Wall protection	
4	1	891.1860-901		Wall protection	
5	3	891.1889-901		Wall protection	
6	1	891.1856-901		Wall protection	
7	20	891.2035-901		Bolt and plug set	
8	2	891.2035-902		Bolt and plug set	

Bottomshell replacement kit 452.5580-901					
Pos no	Qty.	Part number	Alternative	Description	Remarks
	5	847.0016-00		Washer BRB _M17x30 zp	
	5	840.0065-00		Screw M6S M16x35 8.8 zp	
	6	873.0390-00		Seal ring Tredo 30	
	4	900.0659-00		Adpter G 2 BxG 2 B	
	1	452.4933-901		Liner hydroset cylinder cover	
	2	452.2899-001		Hose SAE 100 R1AT 2"xPt	
	1	452.4865-001		Hydroset cylinder cover	
	1	452.4125-901		Bottomshell assembly	

Filter kit 452.5543-901					
Pos no	Qty.	Part number	Alternative	Description	Remarks
	4	912.0126-00		Filter HC69	
	2	912.0129-00		Filter cartridge HC2	
	1	912.0139-00		Filter cartridge HC2 852516 MIC	
	1	912.0155-00		Filter cartridge HC2 852514 MIC	

