



Tel: +971 4 447 1899
 Fax: +971 4 447 1898
 P.O. Box: 182783, Dubai, U.A.E.
 E-mail: psidmcc@psi.ae

Seller PSI DMCC Unit No. AU-30-A, AU Tower (Gold) Plot No. 13, Jumeirah Lakes Towers Sheikh Zayed Road, Dubai, U.A.E. Tel: + 971 4 447 1899 ; Fax: + 971 4 447 1898		Proforma Invoice No.: Proforma Invoice Date 6.11.2022 Buyer's Reference 10101138294		PROFORMA INVOICE PI-22509074 Validity date of Proforma Invoice 30.12.2023 Seller's Reference RE1002209076	
Consignee (Name, Address) KHOUZESTAN STEEL COMPANY 10th Km of Bandar Imam Khomeini Road, Ahwaz - Iran Tel: +98 611 2708110, Fax: +98 611 2708111		Buyer (Name, Address) KHOUZESTAN STEEL COMPANY 10 th Km of Bandar Imam Khomeini Road, Ahwaz - Iran Tel: +98 611 2708110, Fax: +98 611 2708111		INQUIRY: 52455672	
Partial Shipment <input checked="" type="checkbox"/> Allowed <input type="checkbox"/> Not Allowed		Country of Beneficiary: UNITED ARAB EMIRATES		INQUIRY: 52455672	
Transshipment <input checked="" type="checkbox"/> Allowed <input type="checkbox"/> Not Allowed		Country of origin: GERMANY			
Transport, mode and means: BY TRUCK		Country of Destination: ISLAMIC REPUBLIC OF IRAN			
Port / Airport of Loading: GERMANY		Terms of delivery: CPT			
Port / Airport of Discharge: SHAHRYAR CUSTOMS, IRAN		Relevant Location: SHAHRYAR CUSTOMS, IRAN			
Final Place of Delivery SHAHRYAR CUSTOMS, IRAN		Terms of Payment: 50% PRE-PAYMENT 25% AFTER INSPECTION 25% AGAINST COPY OF SHIPPING DOCUMENTS			
Shipping marks:		Transaction Currency: EURO			
No. and kind of packages, shipping, description of goods PALLET / NON STACKABLE		Delivery Time: 28 - 32 WEEKS (EXCLUDING HOLIDAYS)			

Item No	Description and Specifications	Origin	HS Code	Gross wt kg	Net wt kg	Quantity Piece	Unit Price (EURO/PC)	Total Gr. Wt (kgs)		Amount EURO	
								Total Gr. Wt (kgs)	Total Net wt (kgs)		
1.	MECON Level Indicator Menkar /KM/FTH Order Code:210831-01M/FTH Type: MENKAR D-150 Center-to-Center:2700 mm Process connection: 1" 150# RF Indication rail: alu/poly Level Transmitter 4-20mA Certificates: yes FTH: factory acceptance test to H protocol Material & Welding quality Welding check, Calibration Check Process conditions Media: Aluminum sulfat Density >1 kg/l Temperature: +40 °C Pressure: 1.bar	GERMANY	90261010	217.50	174.00	4	5,756.89	217.50	174.00	23,027.56	
SUB TOTAL FCA AMOUNT:										23,027.56	
FREIGHT CHARGES:											682.50
TOTAL CPT SHAHRYAR CUSTOMS, IRAN:											23,710.06

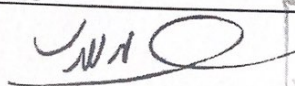
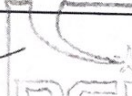
NOTE:

- THE PAYMENT OF THIS UPDATED PROFORMA PI-22509074 DATED 6.11.2022 WHICH HAS BEEN ISSUED IN EURO SHALL BE PAID IN AED. ON THE DATE OF SUBMITTING ORIGINAL SHIPPING DOCUMENTS, THE AED EQUIVALENT AMOUNT WILL BE CALCULATED BASED ON EURO TO AED MARKET RATE CONSIDERING THE ACTUAL PAID AMOUNT AND PSI MARGIN.
- THIRD PARTY INSPECTION IF NEEDED CHARGES IS ON KSC ACCOUNT.
- PRICES OFFERED ARE FOR FULL QUANTITY, IN CASE OF CHANGE IN QUANTITY PRICES ARE SUBJECT TO CHANGE.
- Insurance: to be borne by the buyer.

DOCUMENTS TO BE OFFERED:
 1. BILL OF LADING 2. COMMERCIAL INVOICE 3. PACKING LIST 4. CERTIFICATE OF ORIGIN 5. INSPECTION CERTIFICATE

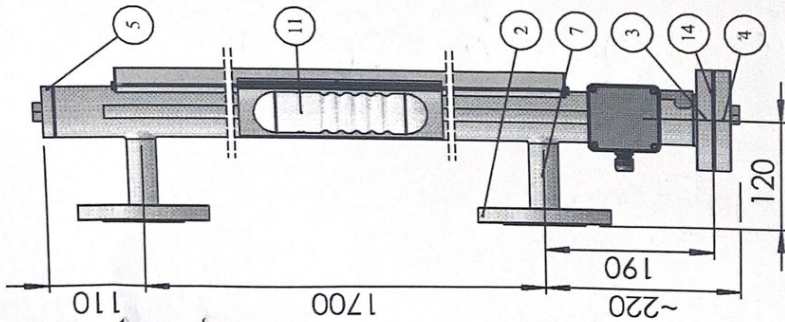
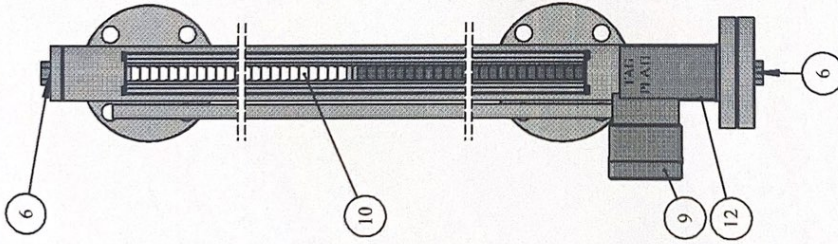
It is hereby certified that this invoice shows the actual price of the goods described, that no other invoice has been or will be issued, and that all particulars are true and correct.

FOR PSI DMCC

*5% VAT IS APPLICABLE AS PER GOVERNMENT REGULATIONS WILL BE CHARGED FOR ALL GOODS AND SERVICES PROVIDED FROM JANUARY 2018 ONWARDS.

Hydro Test Gauge 311111 (3) 31111
 Material Certificate EN10204 2.1



Pos.	Qty.	Description	Material
14	1	Gasket	PTFE
13	-	Bolts and Nuts	SS 304
12	1	Tag Plate	SS 316 (L)
11	1	Float S1/3.30, pressureless	P.P.
10	1	Indicator	Alu / Poly
9	1	Level Transmitter 4-20mA	Alu M16x1,5
8	1	Reedchain P-15 (Accuracy ± 7,5mm)	SS 316 (L)
7	2	Process Tube	P.P.
6	2	Plug 1/2" - ANSI/NPT	P.P.
5	1	Endcap	P.P.
4	1	Blind Flange Ø115	P.P.
3	1	Bottom Flange Ø115	P.P.
2	2	Process Flange 1" 150# RF ASME B16.5	P.P.
1	1	Measuring Tube Ø63,5 x 1,5mm	P.P.

MAGNETIC LEVEL GAUGE Type D-150

MECON

Client :
Order :
Tag nr. :

SAFETY CONTROL

Weight : 18 kg
Viscosity: < 600 cP

S.G. : >1,000
Pressure : 0 / 1 bar
Temp. : 0 / 40 °C

Date : 31-8-2021

Drawing nr.: 210831-01/M

MECON GmbH / Röntgenstr. 105 / 50169 Kerpen / Germany / info@mecon.de / www.mecon.de