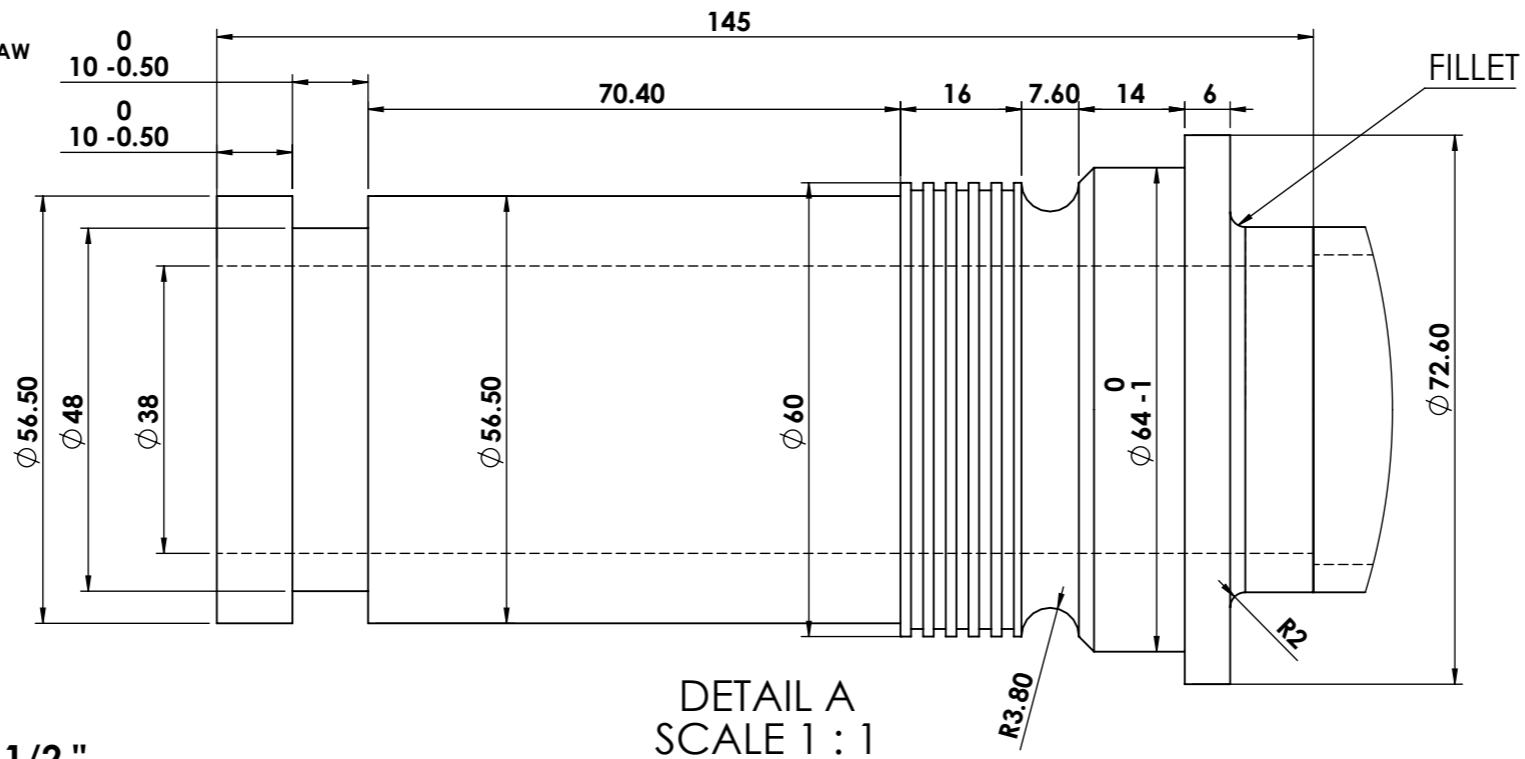
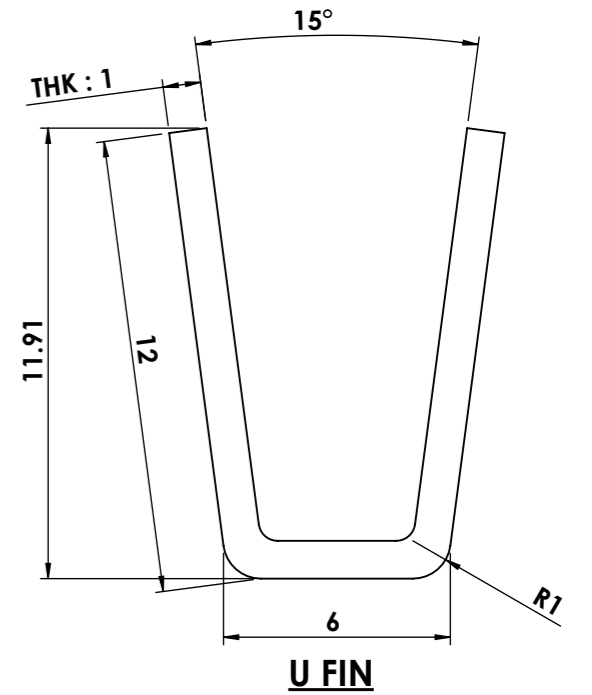


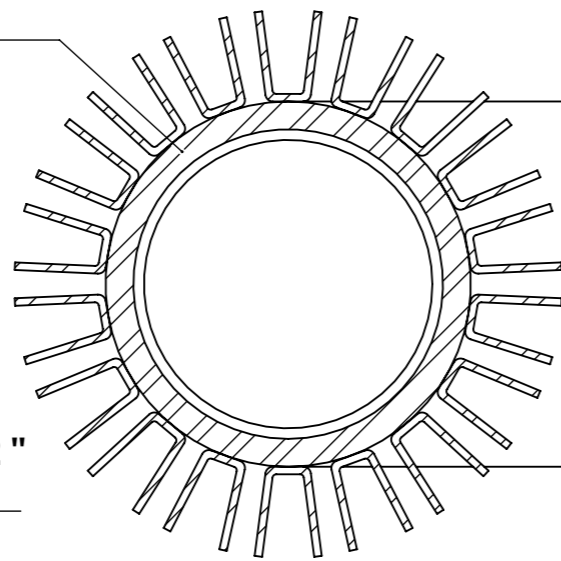
DETAIL C
SCALE 1 : 1



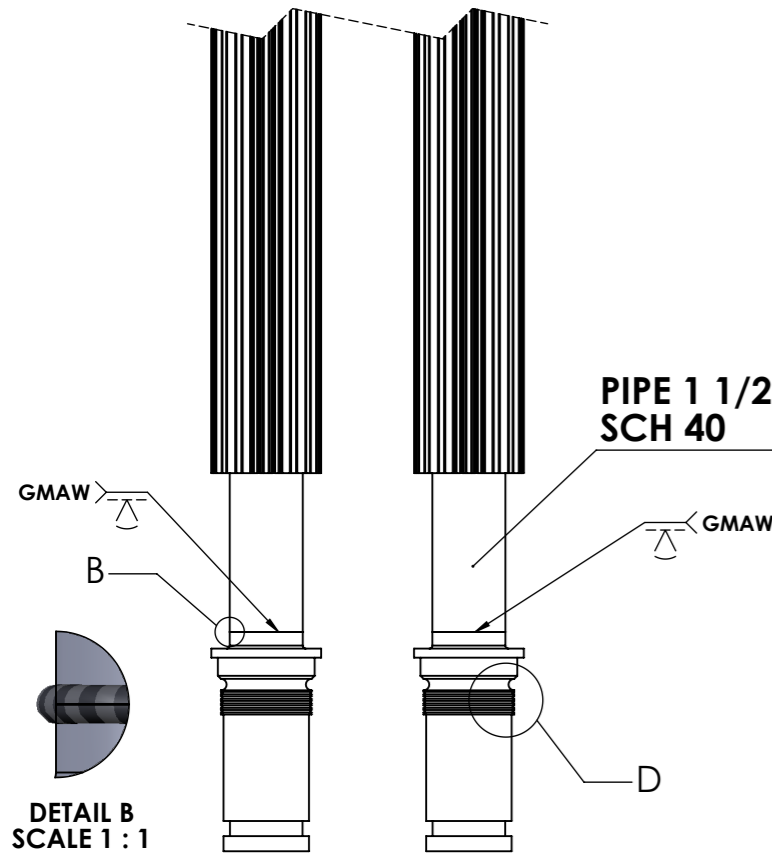
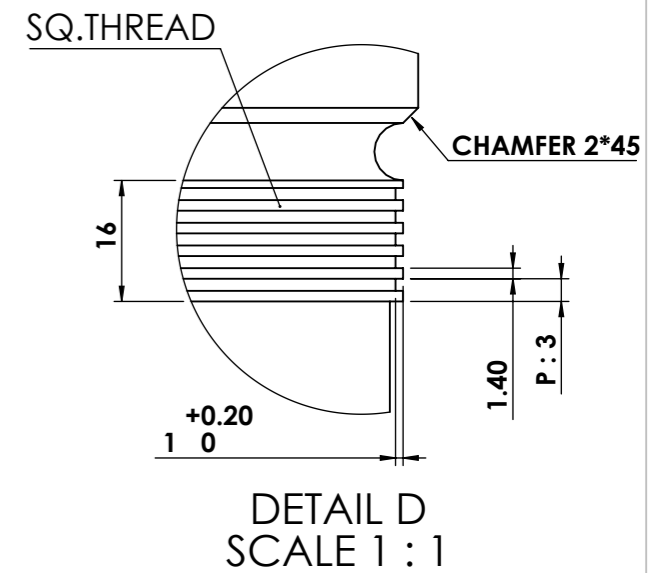
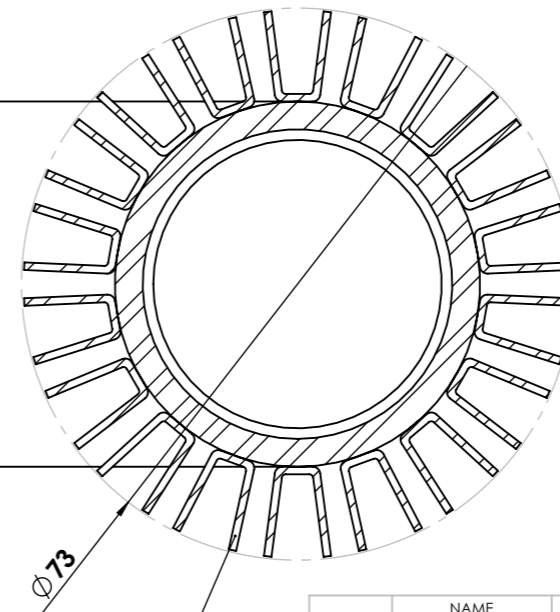
DETAIL A
SCALE 1 : 1



PIPE 1 1/2" SCH 40

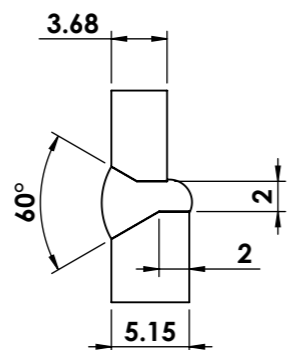


SECTION F-F
SCALE 1 : 1



DETAIL B
SCALE 1 : 1

PIPE 1 1/2" SCH 40



WELD DETAIL

WELDED LONGITUDINAL U FIN
NO.OF FIN : 18 FIN

	NAME	DATE
DRAWN	M.KARIMI	1395-12-28
CHK'D	M.AHMADZADEH	1395-12-28
APPV'D	M.AHMADZADEH	1395-12-28

COMMENTS:

RADIATOR DERAKHSHAN JONOOB
IRAN-KHZ-AHVAZ

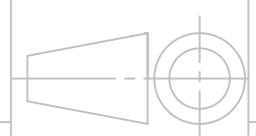
TITLE:
**U TUBE
WELDED LONGITUDINAL U FIN**

DWG NO.

RDJ-95.4.189

SCALE:1:5

SHEET 1 OF 1



SIZE

A3

REV