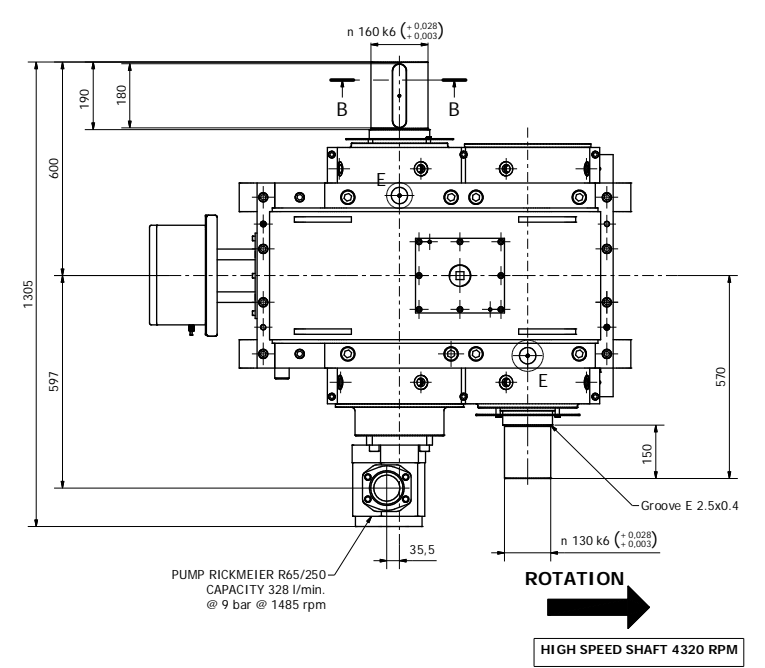
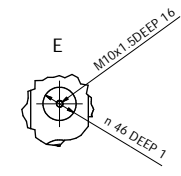
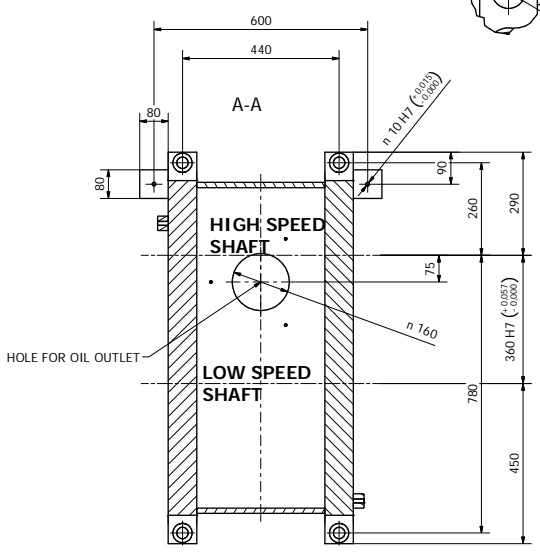
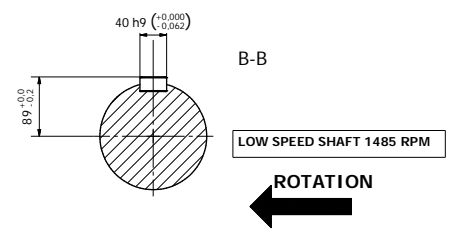


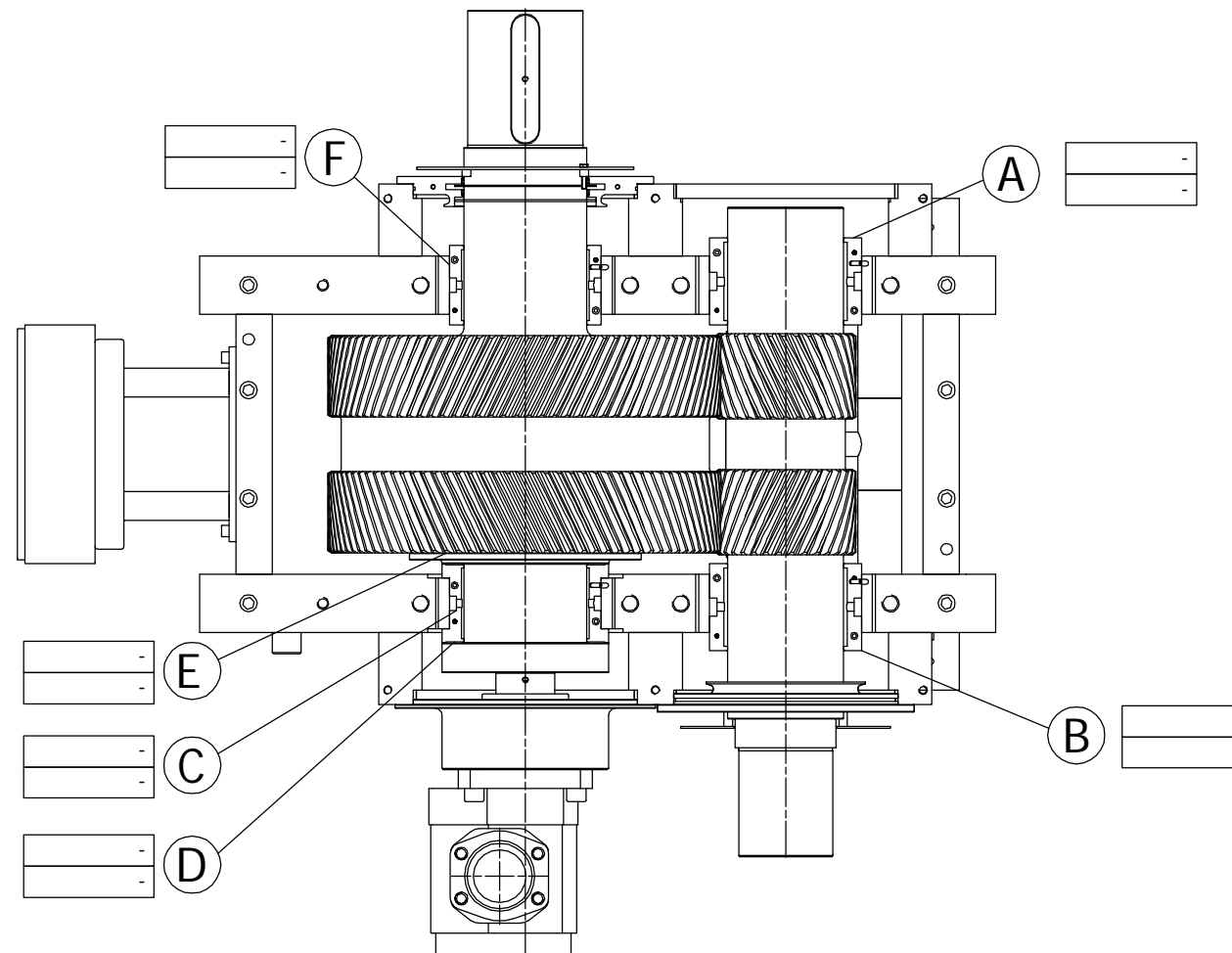
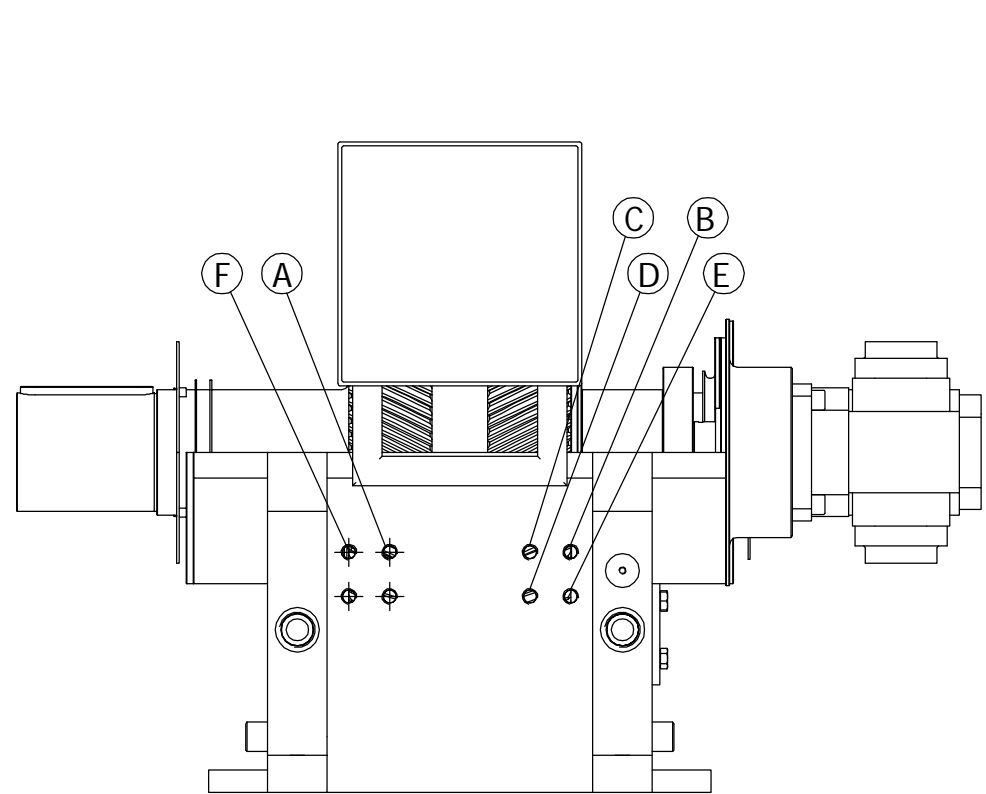
REF. SIEMENS BCFO0124



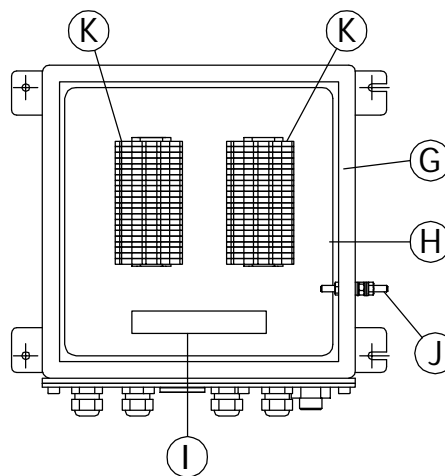
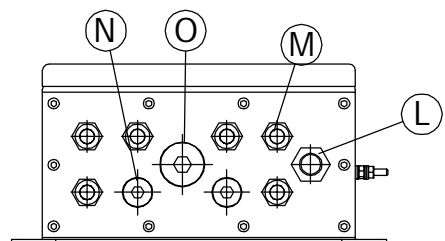
DATA	
PURCHASER	SIEMENS Turbomachinery
ORDER N°	100-428655
TYPE	PTMb 36
SERIAL N°	3291
GEAR DATA	
GEAR RATED (Kw)	4550
SERVICE FACTOR	DIN 1.5
INPUT SPEED (rpm)	1485
OUTPUT SPEED (rpm)	4320
SPEED RATIO	2.909
MOMENT OF INERTIA HIGH SPEED SHAFT	0.493 kg*m <sup>2</sup>
MOMENT OF INERTIA LOW SPEED SHAFT	18.592 kg*m <sup>2</sup>
POWER LOSS	47 kW
CONSTRUCTION FEATURES	
TOTAL WEIGHT (KG)	1833
UPPER CASING WEIGHT (KG)	260
HIGH SPEED WEIGHT (KG)	143
LOW SPEED WEIGHT (KG)	629
GEAR BOX SURFACE	
LUBRIFICATION	
OIL TYPE	ISO VG 46 FZG 7 Min.
OIL FLOW (L/MIN)	140
INLET PRESSURE (BAR)	1.5-2.0
NOM. TEMP. INLET (°C)	50°C
MAX OIL INLET TEMP. (°C)	60°C

REV	DATA	DESCRIZIONE MODIFICA	DESIGN.	CONTR.	
2	19.9.2017	Modified flange: lub. oil inlet	g. Saran	Rezzola	
1	13.09.2017	UPDATE AS PER SIEMENS COMMENTS	A. Peron	G. Saran	
0	4.08.2016	First issue.	g. Saran	Rezzola	
MODIFICHE	REV	DATA	DESCRIZIONE MODIFICA	DESIGN.	CONTR.
SCOSTAMENTI PER QUOTE SENZA INDIC. DI LAVORAZIONE					
PARTICOLARI				MATERIALE	
STAMPATI				PESO FINITO	
D FUSI				1833 Kg	
LAVORATI				N° COMMESA	
1				176084	
				DETTAGLIO N. ....	
PTMb 36				ASSEMBLATO	
OUTLINE				N. 6555	

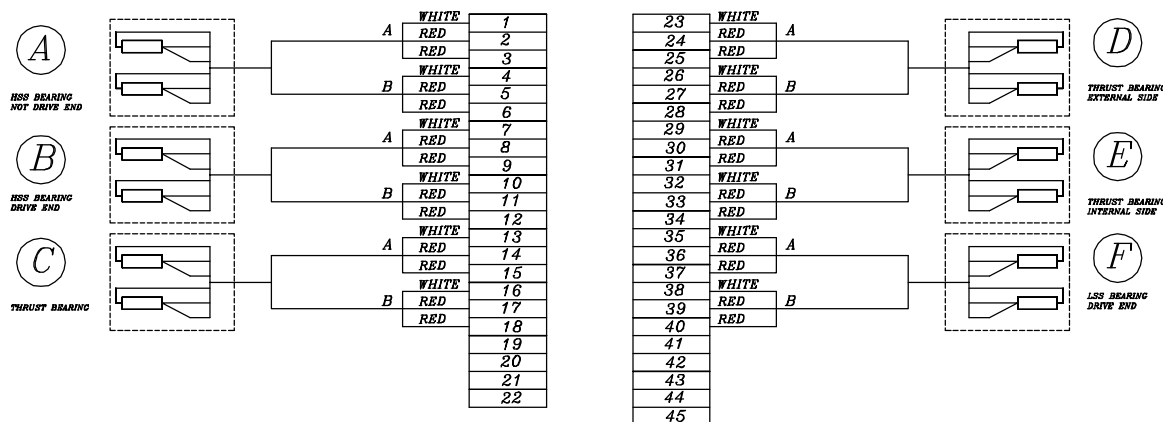
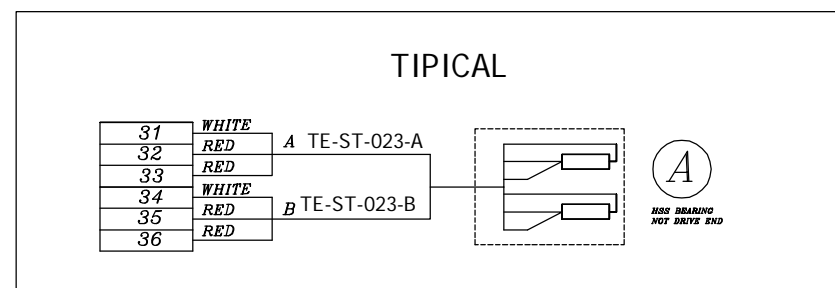




JB	
POS.	DESCRIPTION
A,B,C,D,E,F	N°6 DOUBLE ELSI THERMORESISTANCE
G	N°1 JUNCTION BOX AT DRIVING 6555-60.
H	N°1 MOUNTING PLATE
I	N°1 EATRHR BAR
J	N°1 EARTH NUT
K	N°45 STRIPS WDU BEIGE 2,5 mm²
L	N°1 BREATHER
M	N°6 M20x1,5 NICKEL PLATED CABLE GLAND AT ONE CLAMPING ARMoured PVC Ø 6,2 N°6 M20 NYLON WASHER N°6 M20 STEEL SERRATED WASHER N°6 M20 NICKEL PLATED EARTH PLATE N°6 M20 NICKEL PLATED NUT N°6 CABLE GLAND COVER BLACK PVC
N	N°2 M20 NICKEL PLATED PLUGS N°2 M20 NYLON WASHER N°2 M20 STEEL SERRATED WASHER N°2 M20 NICKEL PLATED EARTH PLATE N°2 M20 NICKEL PLATED NUT
O	N°1 M32 NICKEL PLATED PLUGS N°1 M32 NYLON WASHER N°1 M32 STEEL SERRATED WASHER N°1 M32 NICKEL PLATED EARTH PLATE N°1 M32 NICKEL PLATED NUT



AREA CLASSIFICATION:  
SAFE AREA



MODIFICHE	REV	DATA	DESCRIZIONE MODIFICA	DISEGN.	CONTR.
	1	07.11.2017	Update change JB configuration	A.Peron	G.Sarain
	0	29.09.2017	First issue.	A.Peron	G.Sarain

PARTICOLARI STAMPATI O FUSI	LUNGHEZZE E DIAMETRI								MATERIALE		PESO FINITO
	DA 0 A 6	DA 6 A 30	DA 30 A 120	DA 120 A 315	DA 315 A 1000	DA 1000 A 2000	DA 2000 A 4000	DA 4000	QUANTITA'	SCALA	N° COMMESSA
	±0.1	±0.2	±0.3	±0.5	±0.8	±1.2	±2	±3	1	-	176084

SCOSTAMENTI PER QUOTE SENZA INDIC. DI LAVORAZIONE

**ANGOLI** ±2°  
**SPESSORI** ±10% MIN 1  
**LUNGHEZZE E DIAMETRI** ±0.5% +1

**DETAGLIO**  
 N. 07  
**ASSIEME**  
 N. 6555-07

**PTM6 36**  
**WIRING DIAGRAM THERMORES.**

**ALG**  
 20157 Milano  
 Via Venezia Civiltà 7  
 Tel.(02) 39002150/1/2  
 Telefax 3570944