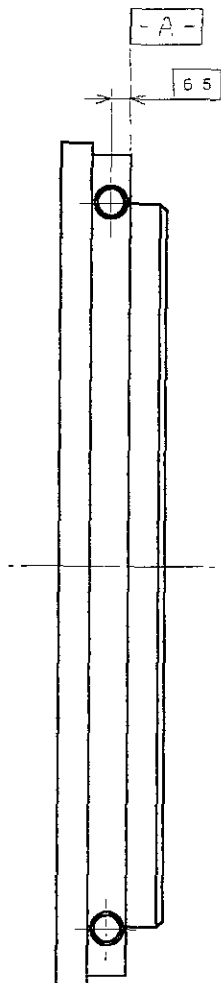
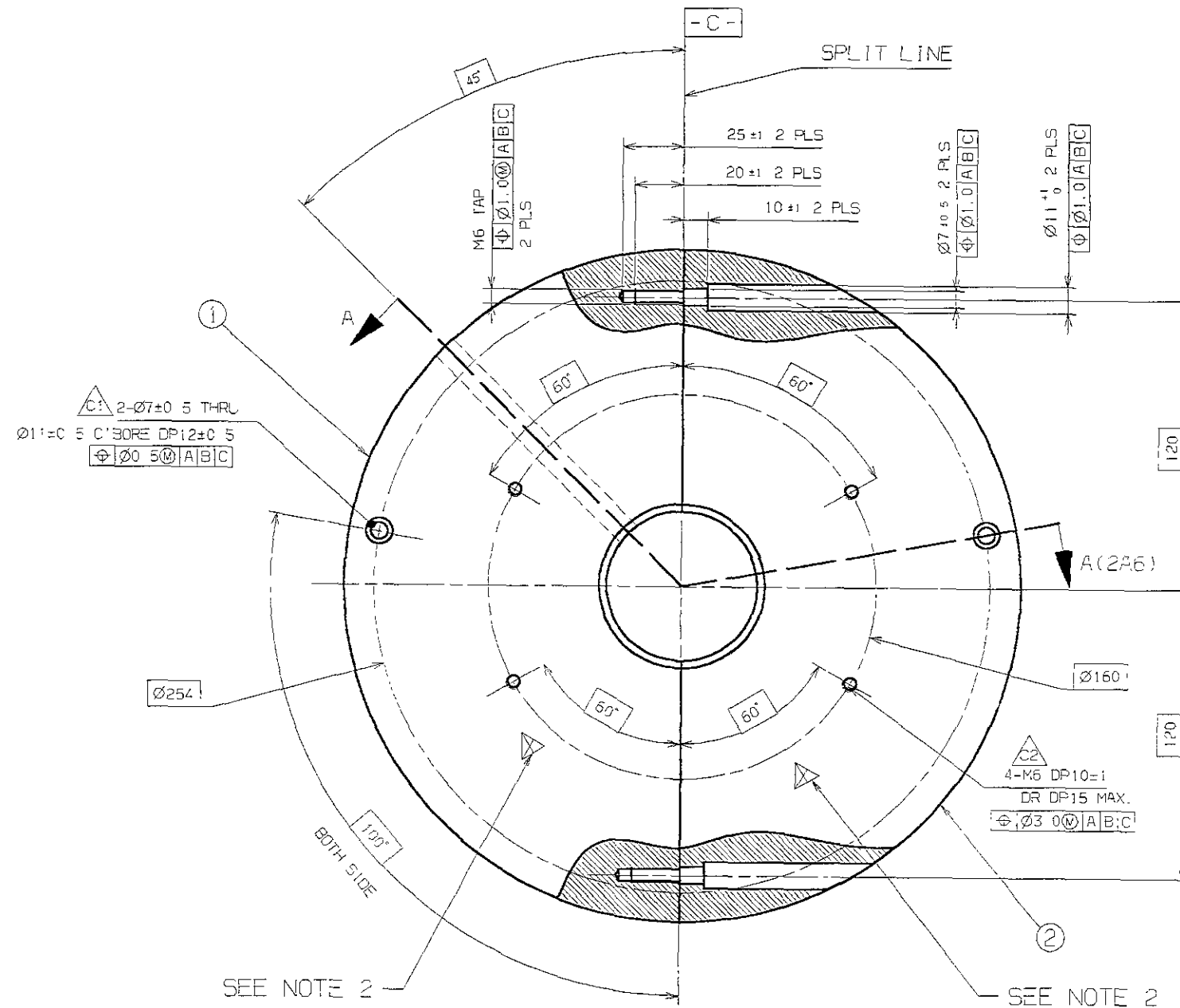


NOTE

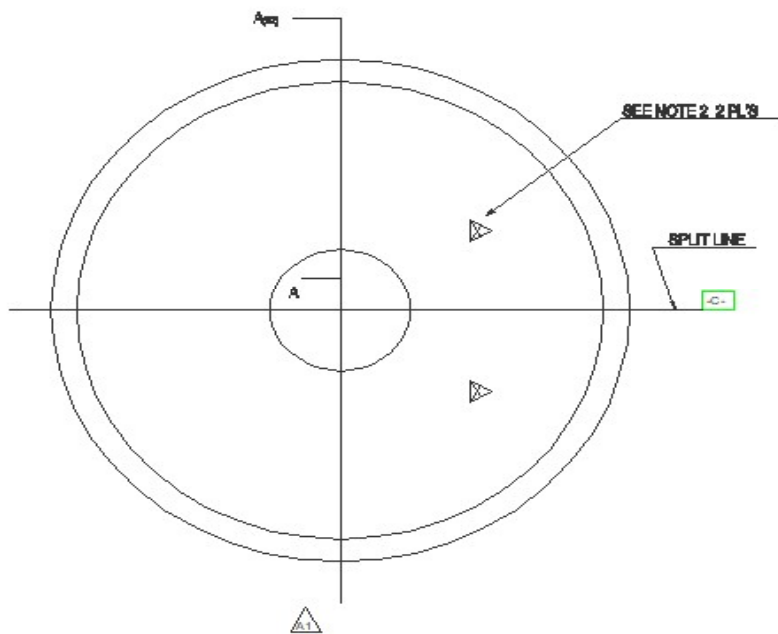
1. 육안검사시 규격은 허용안됨.
2. 표기 영역에 SSAE-P-006에 의거 MARKING 하시오  
(DWG. NO., REV. NO., SERIAL NO)

REVISIONS					
CHG NO	ZONE	REV	DESCRIPTION	DATE	APPROVED
TM-030402	2E6	B	1) WAS Ø62.28 & [0.02]	12-08-03	W T JUNG
TM-040301	1E7	C	1. WAS Ø9 5=0 3 THRU & Ø14±0.3 C'BORE DP9±0.3	05-24-04	W T JUNG
	1D4		2 WAS M8 DP10±2 0 & [0.1]		
	2E5		3 WAS ADDED		
	1H8		4 CHANGED NOTE		
TM-040503	2E6	D	1. WAS Ø62.2	06-18-04	W T JUNG

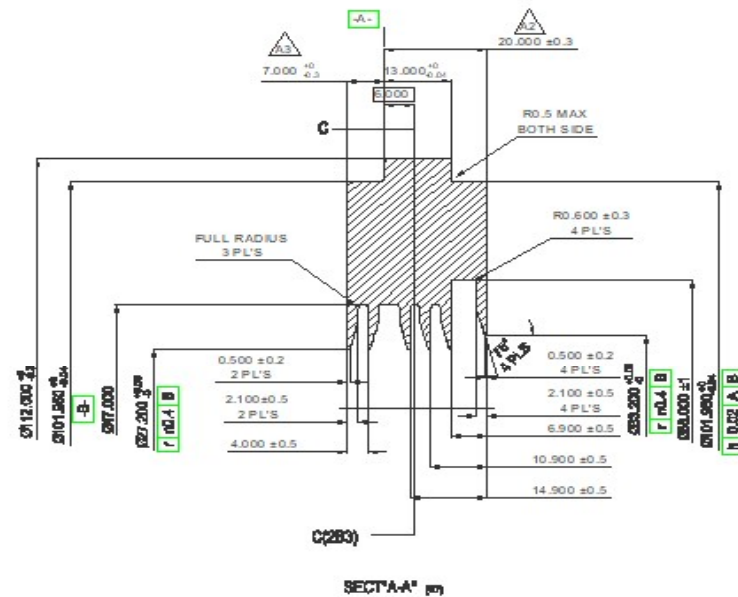


DET NO	PART NO	NOMENCLATURE	Q'TY	MAT'L	ZONE	REMARK
<b>PARTS LIST</b>						
DATUM		ZONE	SHEET	SIGNATURE		
MAT'L		TOL (UOS)		YY-MM-DD	 삼성테크윈주식회사 SAMSUNG TECHWIN CO. LTD.	
A6061P -T551 (KS D 6701)		BREAK EDGE 0.05-0.35 COR F'L. MR. 0.15-C.50 SURF ROUGHNESS: 3.2		DESIGN	김학영	04-06-18
UNIT: mm				CHECK		
				MAT'L	λ	
				APPROVE	정위락	04-06-18
DWG TITLE			#2 AIR SEAL ASS'Y			
DWG NO		CBA12420		REV		D
WEIGHT		N/A		SCALE		N/A
SH		1		OF 2		

NOTE  
 1. 확인대상 규격은 적용안함.  
 2. 표기 용도에 따라 BSAE P-008에 따라 MARKING 함시오.  
 (DWG, IFC, REV, NO, SERIAL, NO)



REVISIONS					
CHANGE No.	ZONE	REV	DESCRIPTION	DATE	APPROVED
TM-00402	907	A	1) 출품부(908)에 DELETED BOLT 107	2003-08-08	W.T.JUNG
			2) WAB 20±1		
			3) WAB 7±1		
			4) ADDED 120° REFLECT & 반영물기(200)		
TM-04018	908	B	1) CHANGED NOTE	2004-05-31	W.T.JUNG



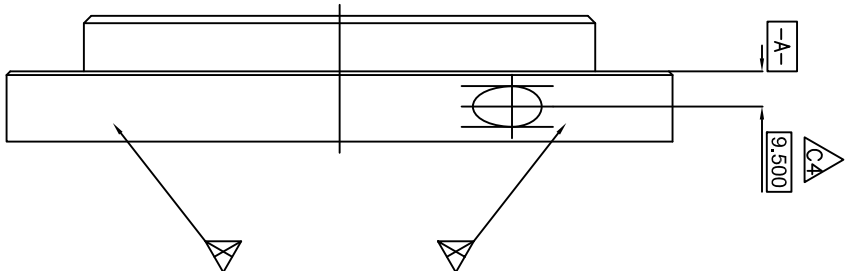
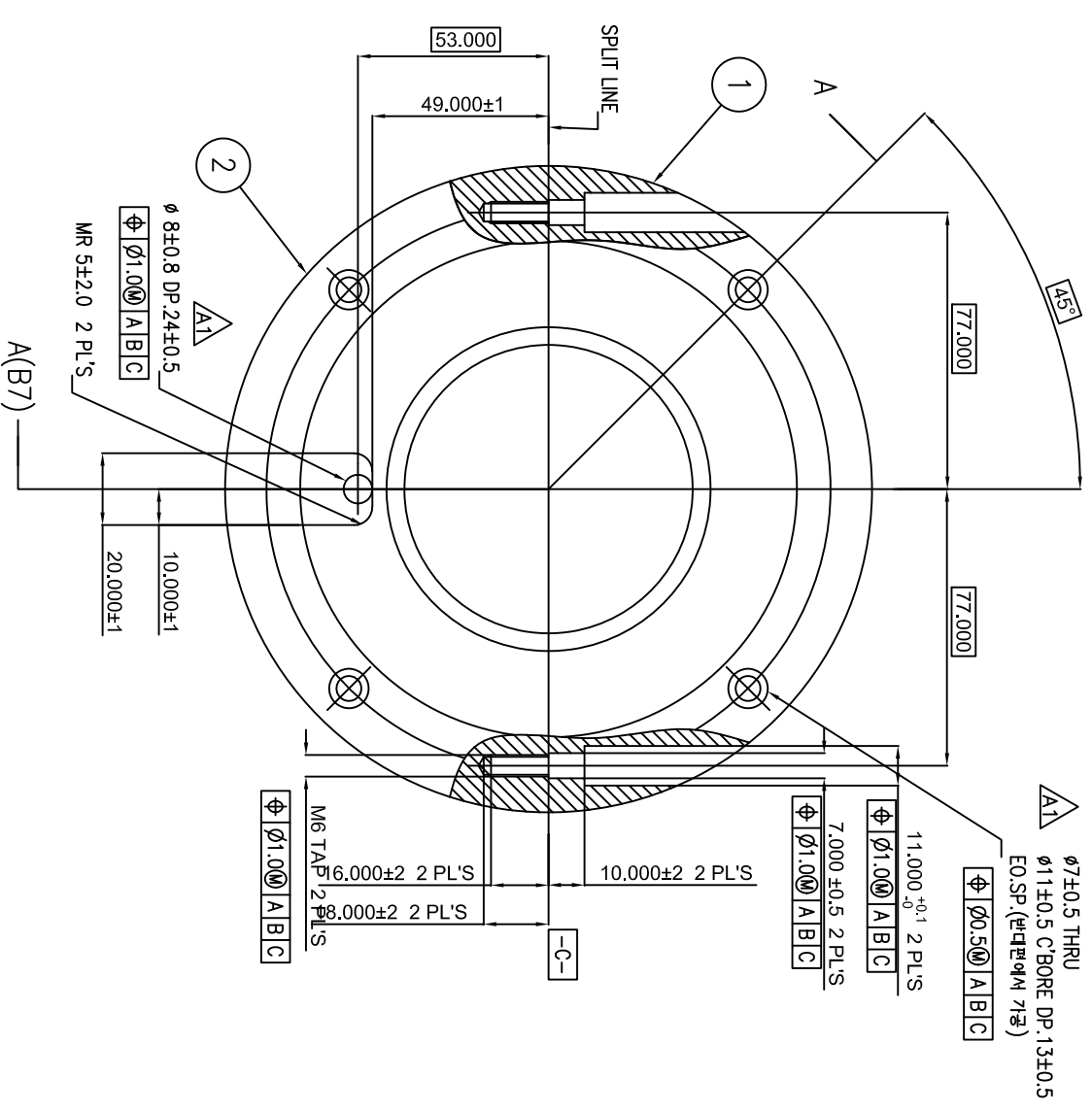
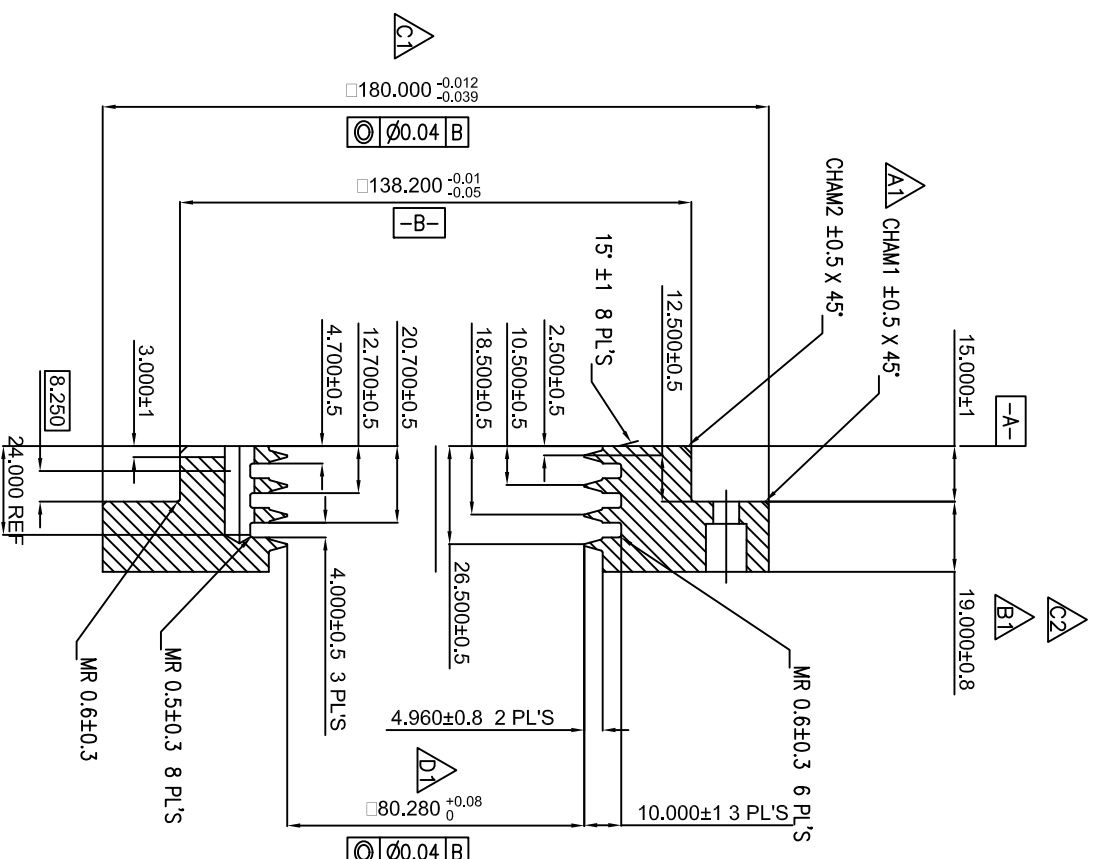
No.	PART No.	PART NAME	MATERIAL	QTY	ZONE	REMARK
<b>PARTS LIST</b>						
THIRD ANGLE PROJECTION	SIGNATURES		DATE	SAMSUNG Techn Co., Ltd		
UNLESS OTHERWISE SPECIFIED DIMENSIONS ARE IN mm	DRAWN			MODEL:		
ANGLE 30°	CHECK			#1,#2 OIL SEAL ASSY		
CHAMFER 1:1.5	MATERIAL			PROJECT		
BREAK SHARP EDGE 0.20-0.30	REVIEWED			DWG No. CCA12450		
FILLET RAD 0.5±0.0	APPROVED			REV. B		
ALL SURFACE	MATERIAL			SCALE NONE	WEIGHT kg	SHEET OF 2

DATUM	ZONE
-------	------

1. 육안검사중 관통시 및 균열은 불합격  
(균열: 결함의 길이와 폭의 비가 4:1 이상인 결함)
2. 표기 영역에 SAE-P-006DP DMLRU MARKING 표시요.

REVISIONS

CHANGE No.	ZONE	REV	DESCRIPTION	APPROVED	DATE
			REV.D 이전의 설계내용은 REV.C 도면 참조		
TM-000506	D6	D	1) WAS Ø80.4	W.T.JUNG	2003-12-08
		B5	2) DELETED 3(O RING)		
TM-040204	G6	E	3) 오링 개구부 삭제 (DELETED DETAIL 'BB')		
			1) ADDED	W.T.JUNG	2003-12-08



SECT "A-A" (C4)

PARTS LIST

No.	PART No.	PART NAME	MATERIAL	QTY	ZONE	REMARK
SIGNATURES						
DRAWN			MM-DD-YY			
CHECK						
MATERIAL						
REVIEWED						
APPROVED						
MATERIAL						

THIRD ANGLE PROJECTION		DRAWN		MM-DD-YY	
UNLESS OTHERWISE SPECIFIED					
DIMENSIONS ARE IN mm					
ANGLE	?				
CHAMFER	1-1.5				
BREAK SHARP EDGE	0.03-0.38				
FILLET RAD	0.3-0.8				
ALL SURFACE	✓				

PROJECT		DWG No.		REV.	
OIL SEAL ASS'Y(BULL PUMP)		CC012490		E	
SCALE NONE		WEIGHT		SHEET 1 OF 1	

