

Fields of Application

In stations of chemical and process industries as well as in power stations with increased demand for safety

Operating Data

Maximum allowable working temperature from -50 °C up to +150 °C

Permissible working pressures Vacuum up to 16 bar

Design

Globe valve with soft seat, straight-way type Sealing in the passage and towards the outside by means of a supported and confined diaphragm.

Specifications:

Face-to-face lengths to DIN 3202-F1 – (ISO 5752 long)
Standard flange dimensions to DIN 2543 with raised faces to DIN 2526/C

The valves are manufactured and tested to DIN 3359
The valves are marked to DIN/EN 19 (ISO 5209)

Special design on request:

Flanges undrilled or drilled in accordance with PN 6, PN 10, ANSI Class 150 B S NF etc
Grooved both ends type N (DIN 2512) or recessed (female faced) type R 13 (DIN 2513) Only for valves without body lining

Remarks

For part list / description / assembly / dismantling and maintenance, observe document 8661.270.

Materials

Body	high temperature resistant cast steel	GS-C 25 N	1 0619
Bonnet	Meehanite	grey cast iron	GGG-40 3 0 7043
Thrust insert	Meehanite	grey cast iron	GG-25 0 6025
Stem	Stainless steel	X 12 CrMoS 17	1 4104
Diaphragm	Synthetical caoutchouc rubber	EPDM	470
Handwheel	pressure diecasting	GD-ALSi 8 Cu 3	3 2161
	Meehanite	grey cast iron	GG-25 0 6025

Optional extras

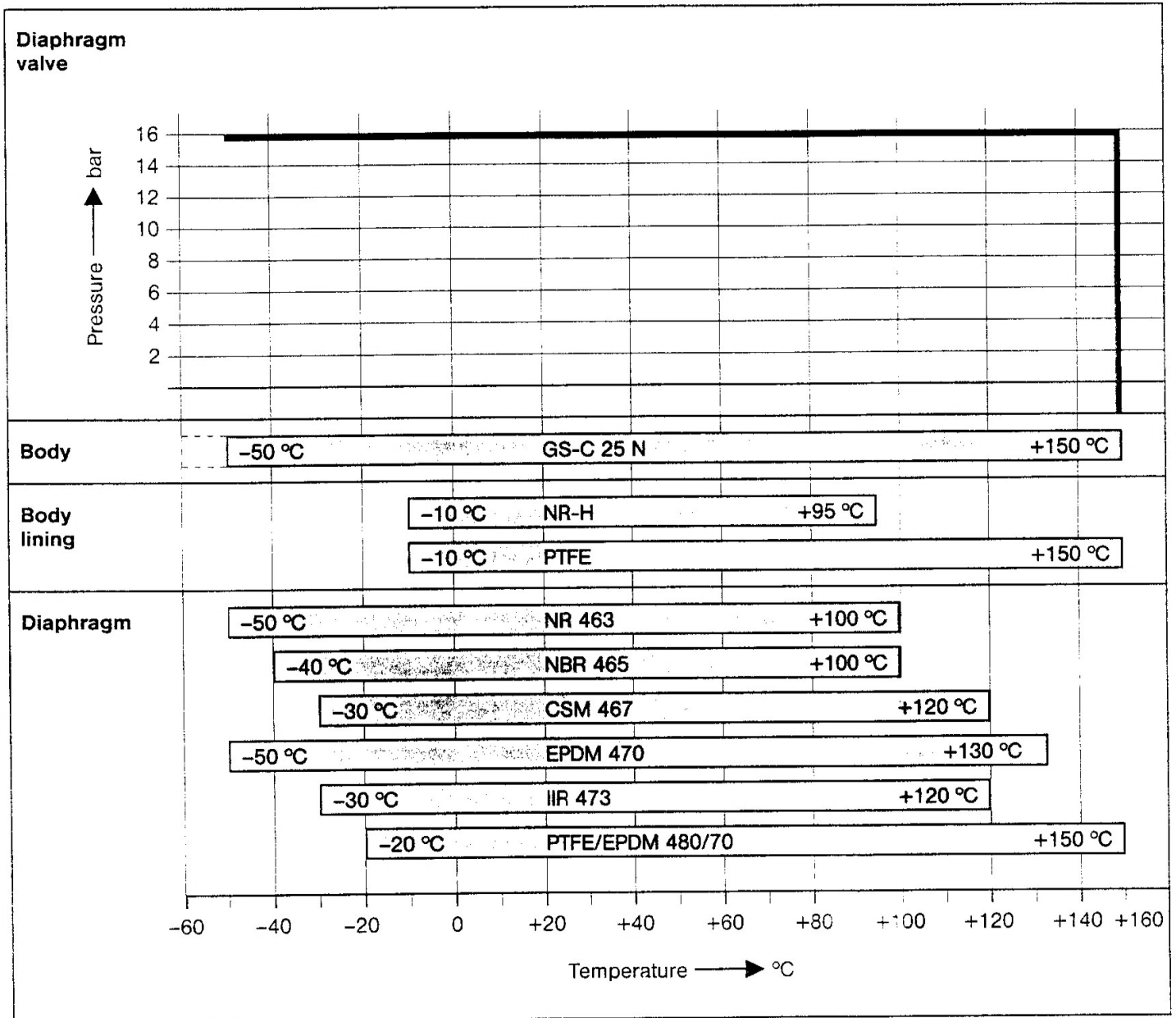
Body	ebonite	NR-H	
lining	polytetrafluorethylene	PTFE	
Diaphragm materials	natural caoutchouc	NR	463
	acrylonitrile-butandiene-caoutchouc	NBR	465
	chlorsulfonyl/polyethylene (Hypalon)	CSM	467
	isoprene-isobutylene-caoutchouc (Butyl)	IIR	473
	polytetrafluorethylene/ ethylene-propylene-terpolymer	PTFE/EPDM 480/70	

Further materials on request

On all inquiries / orders please specify

- | | |
|---------------------------|---------------------------|
| 1 – Type | 6 – Operating temperature |
| 2 – PN | 7 – Flow media |
| 3 – DN | 8 – Pipe connection |
| 4 – Working pressure | 9 – Optional extras |
| 5 – Differential pressure | 10 – Leaflet number |

Operating data



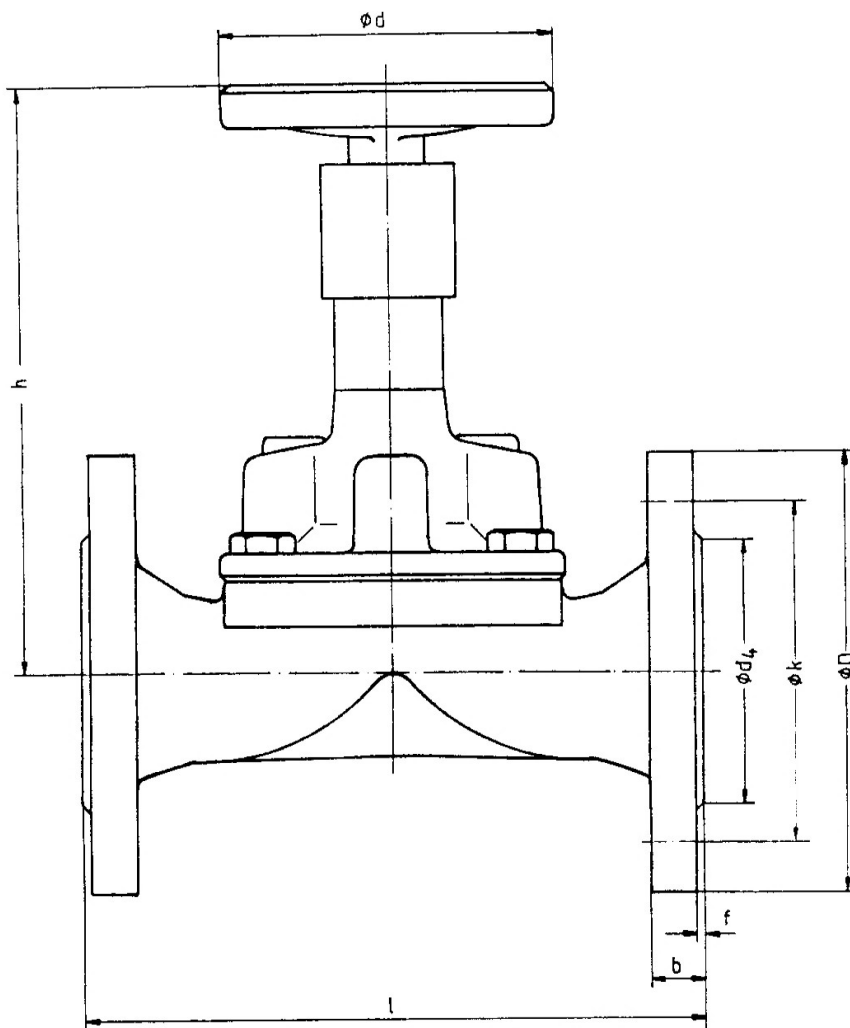
Fields of application

- NR-H Diluted acids and lyes, chloric media.
- PTFE High chemical resistance, foodstuffs.
- EPDM Aggressive chemicals, hot water.

These particulars are given as a preliminary information and are not valid for all operating conditions.

For special fields of application refer to list 8660.74 showing the resistance.

Dimensions



Nominal size DN	Face-to-face length	Flange diam.	Tube hole circle	Number of bolts	Bolt hole diam	Raised face diam. x height φ d ₄ x f	Flange thickness h	Centre to top height open		Stem	Handwheel diam. d ¹⁾	Weight approx. kg.						
	l	D	φ k					with/without coating h	with lining h									
15	130/160 ³⁾	95	65	4	14	45x2	16	150	-	13	100	3,0						
20	150/160 ³⁾	105	75			58x2	18						153	22	7,0			
25	160	115	85			68x2	20						231			234	30	125
32	180	140	100		78x2	18		322	325	45	200	20,5						
40	200	150	110		88x3		24						392	395	60	250	36,5	
50	230	165	125		102x3	26	512	515	80	400	80,0							
65	290	185	145	12/8 ²⁾	18	122x3	22	512	515	80	400	80,0						
80	310	200	160			138x3	24						392	395	60	250	36,5	
100	350	220	180			158x3	26											512
125	400	250	210			188x3	28						34	322	325	45	200	
150	480	285	240			212x3	28											34
200	600	340	295			268x3	34						34	322	325	45	200	

¹⁾ other handwheel diam. on request

²⁾ PN 10

³⁾ PTFE-lining

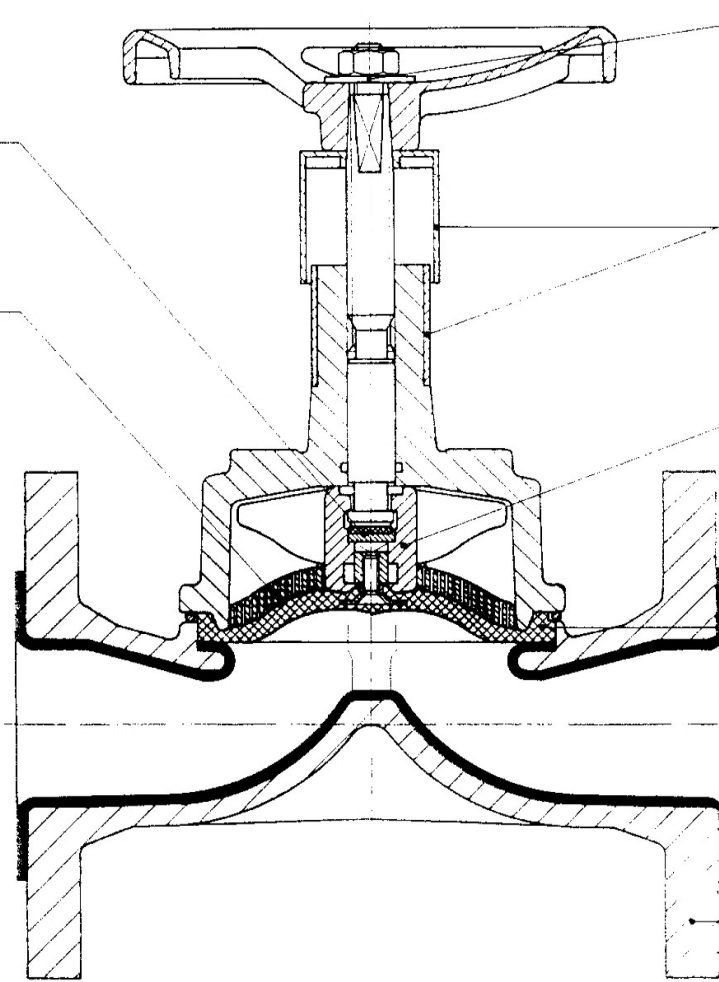
Dimensions in mm

On request we can supply:

SISTO®-20 with
- lever

Thrust bearing
of a special material
reduces the required
closing moments

Diaphragm support
increases the reliability
of operation, the service
life and the pressure
limits of the diaphragms



Identification plate
ensures the identification
of the applied diaphragm
quality and the body lining

Opening indicator
with integrated stem
protection device increases
the reliability of operation

**Balanced
diaphragm suspension**
increases the reliability of
operation of the diaphragms

Confined diaphragm
guarantees
- absolute tightness
- optimized safety

Material of body
for highest safety
requirements


Subject to modifications without notice

A N 10-432

8643 1-10 / 1.8.89



NRA Trading L.L.C

Seller (name, address)*		performa Invoice number		401- 32360	
Adreess: Al Owais Bussiness Tower ,8 Floor ,#806, PO Box: 41190 ,Deira,Dubai United Arab Emirates Mob: +971-5 22582915 Email: nratrd@gmail.com		Performa Invoice date		17-Jun-22	
		Validity date of P/I		17-Jun-23	
		Buyer Commercial Card No:		10101241928	
		Seller's reference		*	
		Buyer (name, address):		Tabriz Petrochemical Company, End Of Shahid Kasae Highway,3 Km Of Shahid Bakeri Free Way Tpc, Special Road 51971-33377 Tabriz , Tel +98 41 3428 2587	
Partial shipment:	ALLOWED	Transport mode		TRUCK/By Air	
Country of beneficiary	UAE	Port/airport of loading		ITALY	
Country of Origin	ITALY	Port/airport of discharge		SAHLAN/IKA	
Place of destination	Iran	Intrance Boarder		BAZARGAN/IKA	
Terms of delivery	CPT	shipping marks, Transport unit ID		*	
Terms of payment	CAD	No, and kind of packages		1 WOODEN BOX	
Transaction currency	EU	Standard Code		UNI6022	
Tariff Number	84818090	Net Wight	45 Kg	Gross Weight	55 Kg
Item	Description	Quantity	UNIT	Amount	CURRENCY
1	Spare Parts for water treatment Unite including Chemical PTFE Diaphragm Valve	5	No	8,000	EU
Manufacturer: KSB 				Sub Total amount (FoB)	
				8,000.00	
				Discount:	
				*	
				FREIGHT CHARGES	
300					
OTHER CHARGES					
NAME OF SIGNATORY					
PLACE AND DATE OF ISSUE(YYYY-MM-DD)				TOTAL AMOUNT	
SEAL AND SIGNATURE				8,300.00	