

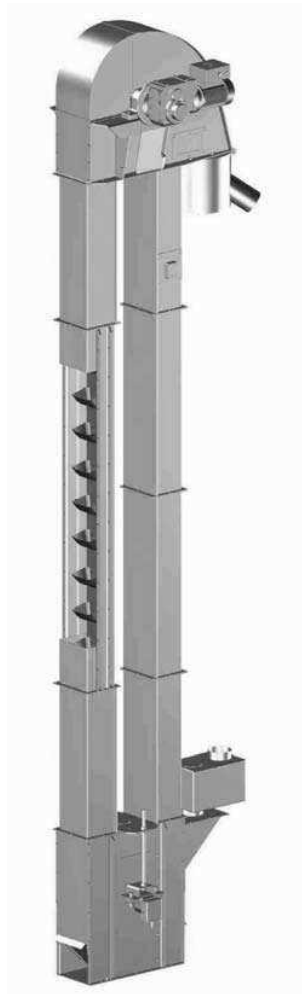
布勒（常州）机械有限公司  
**BUHLER (CHANGZHOU) MACHINERY CO, LTD.**  
电话 (Tel): +86-(0) 519-87966666  
传真 (Fax): +86-(0) 519-87966000  
www.bcha.cn

# Spare parts catalog

## 备件清单目录

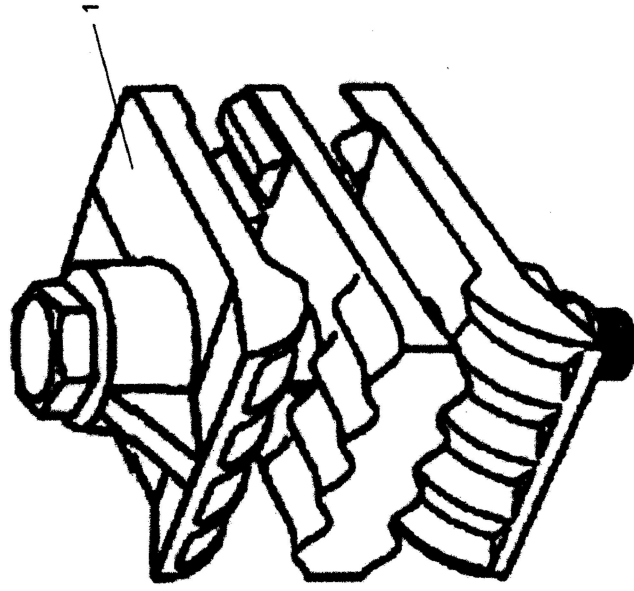
Belt bucket elevator 斗式提升机

AHGL 500X360

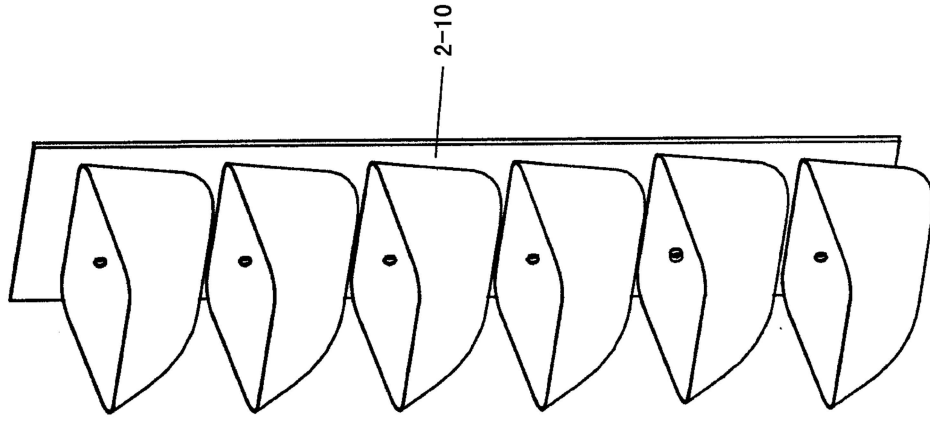


**AHGL-95102-810 Buckets**  
**AHGL-95102-810 畚斗**

Pos.	1	AHEL-95501-850	E	Elevator bucket steel	钢制提升机畚斗
	2	AHEL-95502-850	E	Elevator bucket PE white	PE 白色畚斗
	3	AHEL-95503-850	E	Elevator bucket PA cream-colored	PA 奶油色畚斗
	4	AHEL-95504-850	E	Elevator bucket PU green	PU 绿色畚斗



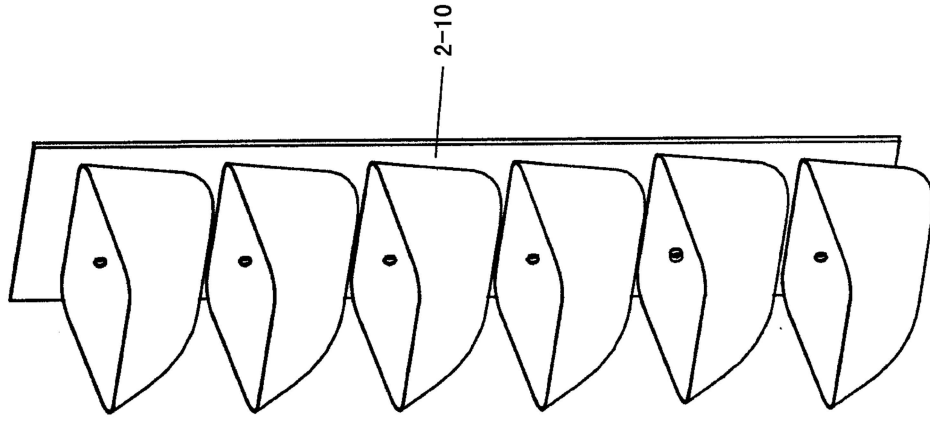
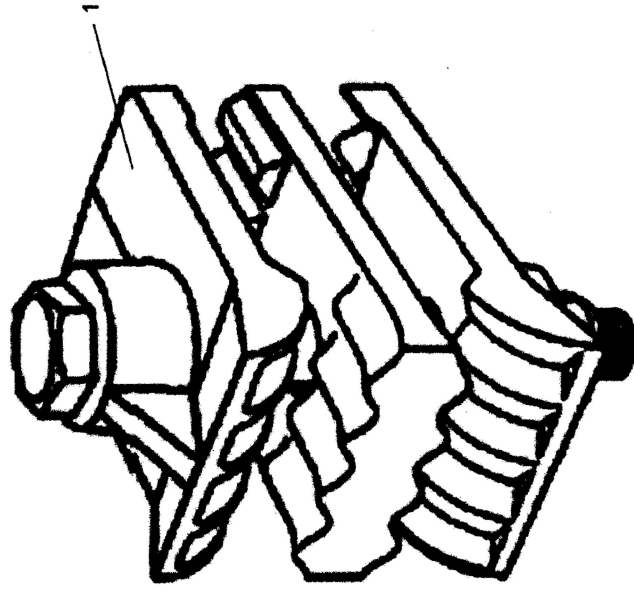
UNT-13619-001



AHGL-95069-810

**AHGL-95069-810 Belt rubber white SELCO FDA 400N/mm for AHGL 500X360**  
**AHGL-95069-810** 白色橡胶皮带 SELCO FDA 400N/mm AHGL500×360

Pos.	1	UNT -13619-001	E	Belt connecting 500X360	500×360 连接带
	2	UNT -13630-111	V	Belt rubber white 400N/mm 500X360	白色橡胶皮带 400N/mm 500×360
	3	UNT -13630-112	V	Belt rubber white 400N/mm 500X360 2 buckets/m	白色橡胶皮带 400N/mm 500×360 2 个畚斗/m
	4	UNT -13630-113	V	Belt rubber white 400N/mm 500X360 2.5 buckets/m	白色橡胶皮带 400N/mm 500×360 2.5 个畚斗/m
	5	UNT -13630-114	V	Belt rubber white 400N/mm 500X360 3 buckets/m	白色橡胶皮带 400N/mm 500×360 3 个畚斗/m
	6	UNT -13630-115	V	Belt rubber white 400N/mm 500X360 3.5 buckets/m	白色橡胶皮带 400N/mm 500×360 3.5 个畚斗/m
	7	UNT -13630-116	V	Belt rubber white 400N/mm 500X360 4 buckets/m	白色橡胶皮带 400N/mm 500×360 4 个畚斗/m
	8	UNT -13630-117	V	Belt rubber white 400N/mm 500X360 4.5 buckets/m	白色橡胶皮带 400N/mm 500×360 4.5 个畚斗/m
	9	UNT -13630-118	V	Belt rubber white 400N/mm 500X360 5 buckets/m	白色橡胶皮带 400N/mm 500×360 5 个畚斗/m
	10	UNT -13630-119	V	Belt rubber white 400N/mm 500X360 5.5 buckets/m	白色橡胶皮带 400N/mm 500×360 5.5 个畚斗/m



UNT-13619-001

AHGL-95070-810

**Spare Parts Catalog 备件目录**

AHKA-8138-1-zh-1305

**Through Chain Conveyor 链式刮板机**

AHKA - 50  
- 100  
- 200



---

**AHKA-84364-810      050 Service chain L=500 050 检修链 L=500**

---

Item.	Part No.	C	Designation _ English	Designation _ Chinese	Number
-------	----------	---	-----------------------	-----------------------	--------

---

**AHKA-84365-810      100 Service chain L=600 050 检修链 L=600**

---

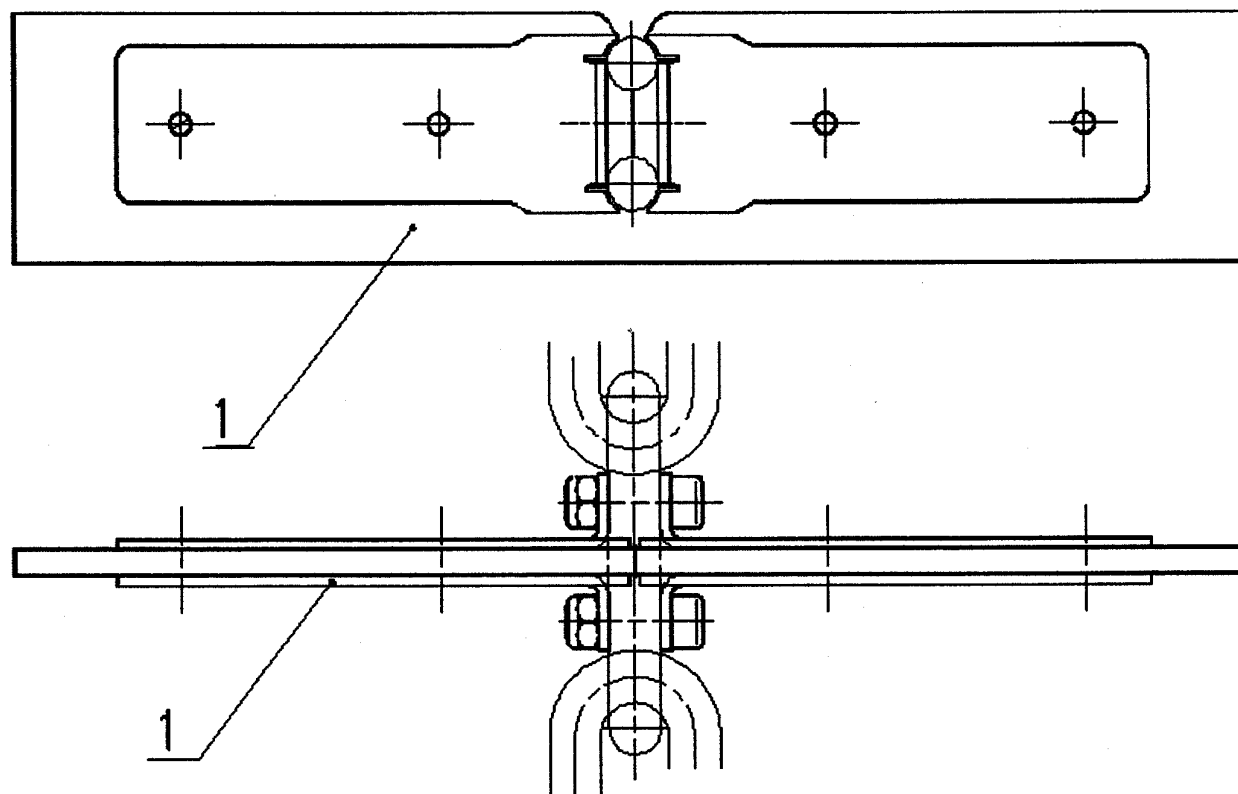
Item.	Part No.	C	Designation _ English	Designation _ Chinese	Number
-------	----------	---	-----------------------	-----------------------	--------

---

**AHKA-84366-810      200 Service chain L=600 050 检修链 L=600**

---

Item.	Part No.	C	Designation _ English	Designation _ Chinese	Number
-------	----------	---	-----------------------	-----------------------	--------



AHKA-84451-810 , AHKA-81010-810 , AHKA-81011-810

BCHA  
Through Chain Conveyor 链式刮板机 AHKA-8138-1-zh-1305  
Spare parts lists 备件清单



---

**AHKA-84451-810      050 Cleaning vane 050 清扫片**

---

Item.	Part No.	C	Designation _ English	Designation _ Chinese	Number
1	AHKA-84451-810	E2	Cleaning vane 050	050 清扫片	

---

**AHKA-81010-810      100 Cleaning vane stainless 100 不锈钢清扫片**

---

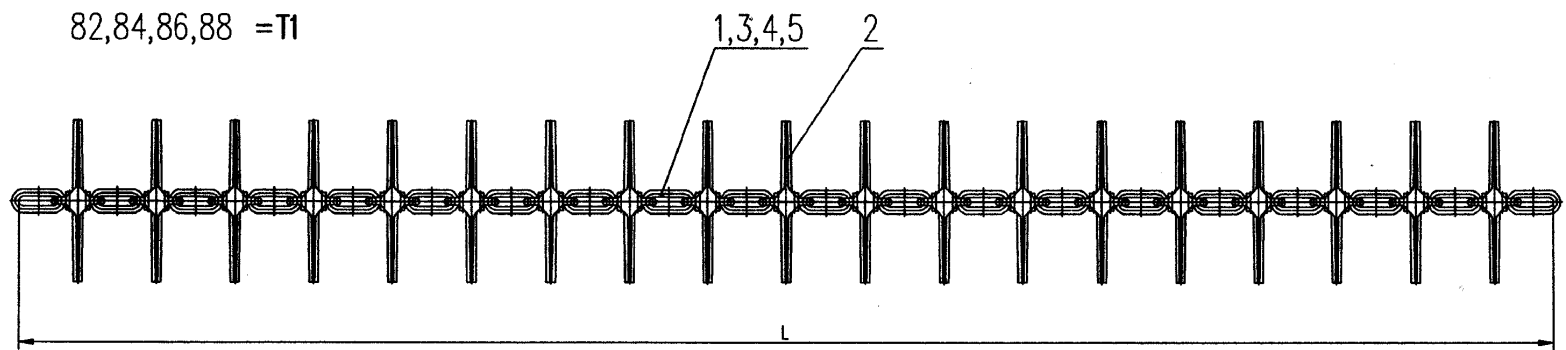
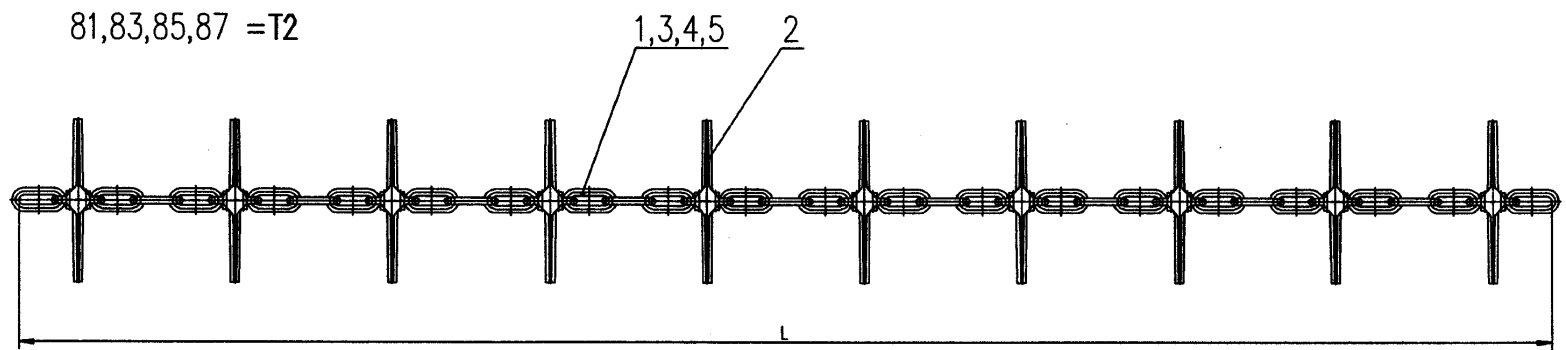
Item.	Part No.	C	Designation _ English	Designation _ Chinese	Number
1	AHKA-81010-810	E2	Cleaning vane 100	100 清扫片	

---

**AHKA-81011-810      200 Cleaning vane stainless 200 不锈钢清扫片**

---

Item.	Part No.	C	Designation _ English	Designation _ Chinese	Number
1	AHKA-81011-810	E2	Cleaning vane 200	200 清扫片	



T1	82	84	86	88	Item / Design
T2	81	83	85	87	Item / Design
L	10000	7500	5000	2500	mm
GLD	183	137	91	45	Links

AHKA-83346

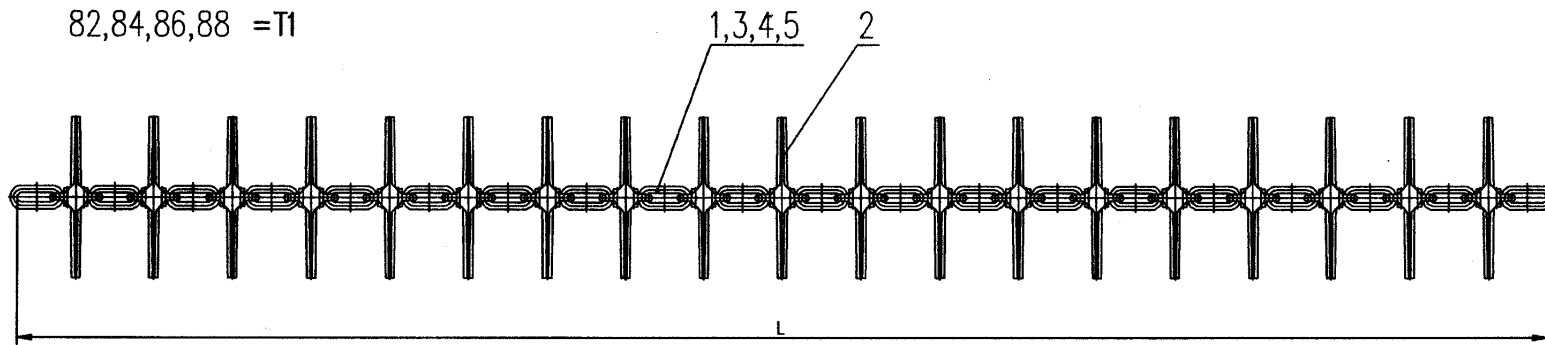
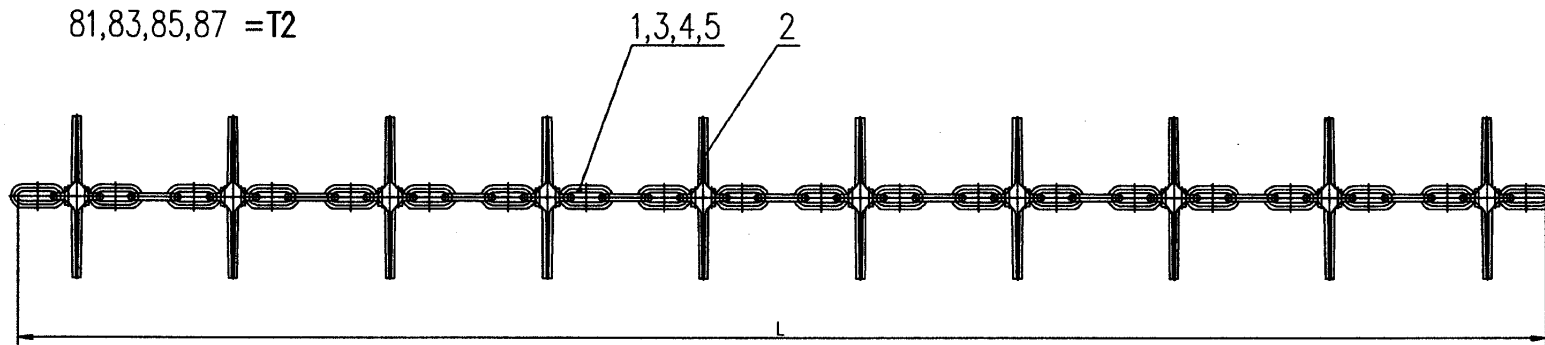
T1	82	84	86	88	Item / Design
T2	81	83	85	87	Item / Design
L	10000	7500	5000	2500	mm
GLD	143	107	71	35	Links

AHKA-83205 , AHKA-83202

BCHA  
Through Chain Conveyor 链式刮板机 AHKA-8138-1-zh-1305  
Spare parts lists 备件清单

**AHKA-83346-****050 Conveyor chain 050 输送链条**

Item.	Part No.	C	Designation _ English	Designation _ Chinese	Number
81	AHKA-83346-810	E1	Conveyor chain 050 T2 L = 10000	输送链 050 T2 L =10000	
82	AHKA-83346-820	E1	Conveyor chain 050 T1 L = 10000	输送链 050 T1 L =10000	
83	AHKA-83346-830	E1	Conveyor chain 050 T2 L - 7500	输送链 050 T2 L =7500	
84	AHKA-83346-840	E1	Conveyor chain 050 T1 L = 7500	输送链 050 T1 L =7500	
85	AHKA-83346-850	E1	Conveyor chain 050 T2 L = 5000	输送链 050 T2 L =5000	
86	AHKA-83346-860	E1	Conveyor chain 050 T1 L = 5000	输送链 050 T1 L =5000	
87	AHKA-83346-870	E1	Conveyor chain 050 T2 L = 2500	输送链 050 T2 L =2500	
88	AHKA-83346-880	E1	Conveyor chain 050 T1 L = 2500	输送链 050 T1 L =2500	



T1	82	84	86	88	Item / Design
T2	81	83	85	87	Item / Design
L	10000	7500	5000	2500	mm
GLD	183	137	91	45	Links

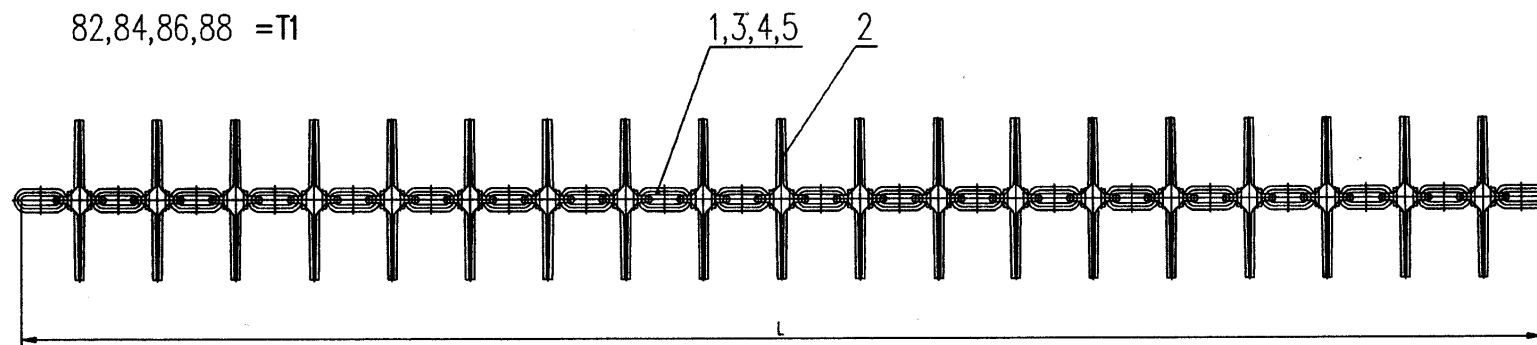
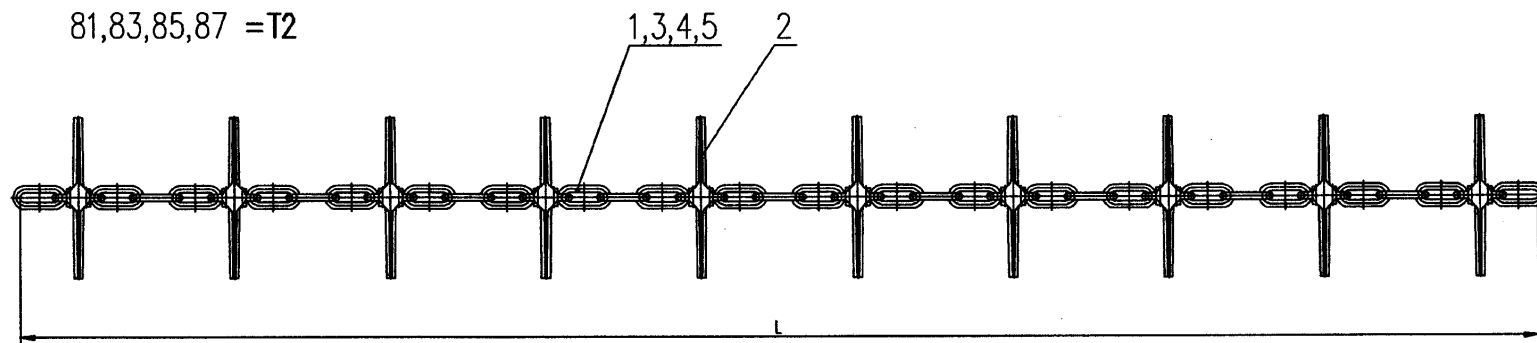
AHKA-83346

T1	82	84	86	88	Item / Design
T2	81	83	85	87	Item / Design
L	10000	7500	5000	2500	mm
GLD	143	107	71	35	Links

AHKA-83205 , AHKA-83202

**AHKA-83205-****100 Conveyor chain 100 输送链条**

Item.	Part No.	C	Designation _ English	Designation _ Chinese	Number
81	AHKA-83205-810	E1	Conveyor chain 100 T2 L = 10000	输送链 100 T2 L =10000	
82	AHKA-83205-820	E1	Conveyor chain 100 T1 L = 10000	输送链 100 T1 L =10000	
83	AHKA-83205-830	E1	Conveyor chain 100 T2 L - 7500	输送链 100 T2 L =7500	
84	AHKA-83205-840	E1	Conveyor chain 100 T1 L = 7500	输送链 100 T1 L =7500	
85	AHKA-83205-850	E1	Conveyor chain 100 T2 L = 5000	输送链 100 T2 L =5000	
86	AHKA-83205-860	E1	Conveyor chain 100 T1 L = 5000	输送链 100 T1 L =5000	
87	AHKA-83205-870	E1	Conveyor chain 100 T2 L = 2500	输送链 100 T2 L =2500	
88	AHKA-83205-880	E1	Conveyor chain 100 T1 L = 2500	输送链 100 T1 L =2500	



T1	82	84	86	88	Item / Design
T2	81	83	85	87	Item / Design
L	10000	7500	5000	2500	mm
GLD	183	137	91	45	Links

AHKA-83346

T1	82	84	86	88	Item / Design
T2	81	83	85	87	Item / Design
L	10000	7500	5000	2500	mm
GLD	143	107	71	35	Links

AHKA-83205 , AHKA-83202