

PSD

平板吊袋卸料离心机

Platform base bag-lifting top discharge centrifuges



产品结构和特点

PSD型离心机采用机械辅助卸料，既拥有全自动刮刀离心机工效高的特点，还具有上卸料离心机适用性广的优点，产品结构先进、占地小、故障率低，具有较高的性价比。

PRODUCT STRUCTURE AND CHARACTERISTICS

PSD type centrifuge adopts mechanical auxiliary discharge, which not only has the characteristics of high efficiency of automatic scraper centrifuge, but also has the advantages of wide applicability of loading and unloading centrifuge. The product has advanced structure design, small occupation, low failure rate and high cost performance.

工作原理

物料在离心力作用下，趋向转鼓壁，液相经覆盖于鼓壁的过滤介质穿过鼓壁滤孔，趋向外壳内壁而落入底盘，经出液口排出。而固相物料存留在转鼓内并可充分洗涤，从而完成固液分离，停机后打开外壳翻盖，利用专用的起吊装置，取出滤袋至下料处卸料，卸料完毕后，将拦液板和滤袋再次装到转鼓内并锁住拦液板，关闭上翻盖，锁紧后即可开始下一个工作循环。

WORKING PRINCIPLE

Under the action of centrifugal force, the material tends to the drum wall, and the liquid phase passes through the filter hole of the drum wall through the filter medium covering the drum wall, tends to the inner wall of the shell and falls into the chassis, and is discharged through the liquid outlet. The solid-phase materials are stored in the drum and can be fully washed, so as to complete the solid-liquid separation. After the shutdown, open the shell flap, use the special lifting device to take out the filter bag to discharge. After the discharge, put the liquid trap and filter bag into the drum again, lock the liquid trap, close the upper flap, and then start the next working cycle.

产品用途

适用分离固相颗粒>0.01mm的悬浮液，特别适用于有毒、易燃物料的过滤，广泛用于化工、制药、食品、轻工等行业。例如：石膏、硫酸、芒硝、硫酸铁、硫酸铜、硫酸镍、氯化钾、醋酸、硼砂、苏打、橡胶添加剂、染料、塑料原料，肥皂、油脂、各种树脂、食盐、味精、食品添加剂，淀粉制糖、维生素、抗生素，除草剂、驱虫剂，铜、锌、铝等矿粉脱水等。

APPLICATIONS

It is especially suitable for the separation of toxic solid particles, such as pharmaceutical, light industry and flammable suspension. For example: gypsum, thiamine, mirabilite, ferric sulfate, copper sulfate, nickel sulfate, potassium chloride, acetic acid, borax, soda, rubber additives, dyes, plastic raw materials, soap, oil, various resins, salt, monosodium glutamate, food additives, starch sugar, vitamins, antibiotics, herbicides, insect repellents, dehydration of copper, zinc, aluminum and other mineral powder, etc.



轻工
light industry



制药
pharmacy



化工
chemical industry



食品
food

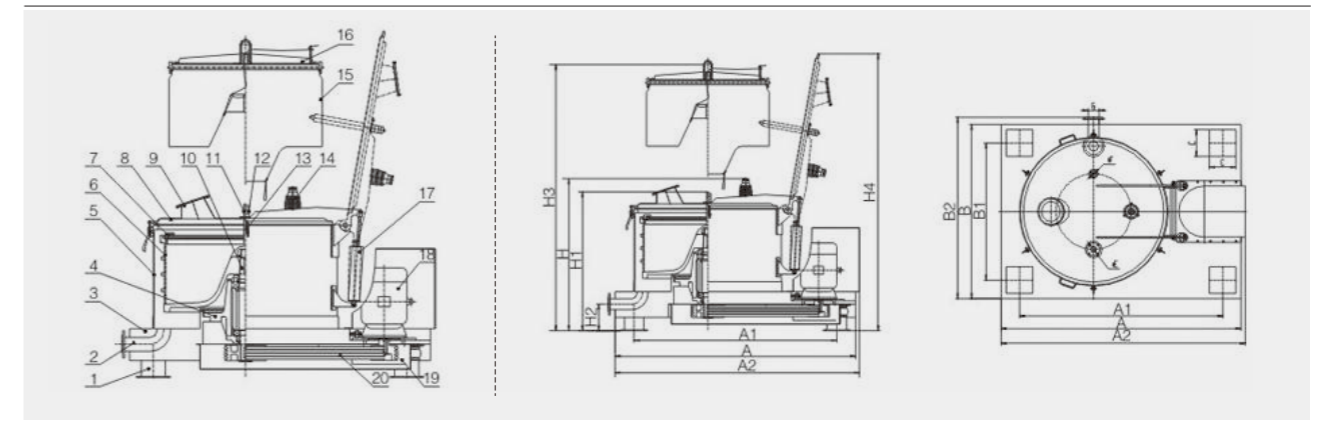
主要技术参数

MAIN TECHNICAL PARAMETERS

型号 Model	转鼓 Bowl					电机功率 Motor power(Kw)	开盖极限高度 Limit height(mm)	整机重量 Machine weight(Kg)	外形尺寸 Outline dimensions(mm)		
	直径 Diameter(mm)	容积 Volume(L)	装料限重 Limitation(kg)	最高转速 Maximum speed(r/min)	最大分离因数 Maximum separation factor				长 Length(L)	宽 Width(W)	高 Height(H)
PSD800	800	90	120	1500	1008	7.5	2000	1300	1800	1200	1140
PSD1000	1000	150	200	1000/1200	560/806	7.5/11	2250	2000	2050	1500	1220
PSD1200	1200	200	270	800	431	11	2700	2500	2200	1600	1350
PSD1250	1250	280	400	950	631	18.5	2740	4200	2250	1650	1370
PSD1500	1500	450	600	850	607	22/30	3120	5200	2900	1900	1575
PSD1600	1600	800	1000	850	647	30/37	3220	8500	3200	2400	2150
PSD1800	1800	910	1100	780	612	37	3400	10000	3300	2500	2250

产品结构示意图

PRODUCT DRAWINGS



01.机壳筒体	Shell	06.转鼓	drum	11.洗涤管	Washing tube	16.吊盘	Hanging plate
02.出液口	Liquid outlet	07.拦液板	Liquid trap	12.进料管	Feed pipe	17.平衡器	Balancer
03.底座	Base	08.机盖	Cover	13.机盖缩紧装置	Cover tightening device	18.电动机	Motor
04.轴承座	Bearing pedestal	09.视镜	Mirror	14.防爆灯	Explosion proof lamp	19.保护罩	Protective cover
05.机壳	Housing	10.主轴	principal axis	15.滤袋	Filter bag	20.三角带	Triangle belt

订货须知

- 材质：与物料接触部分可为普通不锈钢、特殊不锈钢、碳素钢、衬橡胶、衬塑、钛合金等。
- 驱动方式：普通电机或防爆电机带离合器驱动、电磁调速电机驱动、普通电机或防爆电机的变频驱动等。
- 制动方式：机械制动或电制动等。
- 机盖型式：大翻盖。
- 开盖方式：液动、气动、机械平衡器等。
- 机座型式：无基础。
- 隔震器：国产或进口。
- 可按GMP规范设计、制造。

ORDERING INSTRUCTIONS

- Material: the parts in contact with materials can be ordinary stainless steel, special stainless steel, carbon steel, rubber lining, plastic lining, titanium alloy, etc.
- Drive mode: ordinary motor or explosion-proof motor with clutch drive, electromagnetic speed motor drive, ordinary motor or explosion-proof motor frequency conversion drive, etc.
- Braking mode: mechanical braking or electric braking, etc.
- Cover type: big flap.
- Cover opening mode: hydraulic, pneumatic, mechanical balancer, etc.
- Base type: no foundation.
- Isolator: domestic or imported.
- It can be designed and manufactured according to GMP standard.