

Q22113-0102 R0

**TECHNICAL SPECIFICATION**

**Q22113-0102 R0**

**KHOUZESTAN STEEL CO.  
10th KM BANDAR IMAM KHOMEINI ROAD  
AHWAZ, IRAN**

Date: 01.02.2022

Your Inquiry No.: 52444967

Dear Purchase Dep.,

Please find the technical specition of items subject to inquiry

52444967

|   | Item description / Commodity code / Origin  | QTY |
|---|---|-----|
| 1 | 4GZM1350061 GSM gearbox for crane hoist 20 ton<br>Type: RXP3/810/BUS/101/PAM180G/FD/M1 Code: 7703200248<br>HS Code (EU): 84834051 Origin: Italy | 1   |

Delivery term: CPT TEHRAN, IRAN

Delivery time: ca. 30 Weeks

Nettetal, 01.02.2022

Attached: Technical data sheets



PDF-Datasheet

# Dimensioni Dimensions Abmessungen

Section:



Designation: |RX\_P\_3\_810\_BUS\_101\_PAM\_180B5\_G\_FD\_M1\_OUTOIL\_Typ1\_N

E.0

Designation gearbox:



|   |   |
|---|---|
| ARMASER (Applications)                                      | G   |
| M (Machine)   | RX  |
| CO (Centerline orientation)                                 | P = Parallel shaft  |
| NOR (N° of reductions)                                      | 3 = N° of reductions  |
| RV (R.. Version)  |   |
| SIZE (Size)   | 810   |
| SA (Shaft Arrangement)                                      | BUS   |
| IR (Reduction ratio)  | 101   |
| IVL (Input Version - Left)                                  | PAM = pre arrangement motor   |
| ISL (Input shaft - Left)                                    | 180B5   |
| IECTL (IEC type and Input Shaft - Left)                     | G = Motor bell and coupling   |
| IVR (Input Version - Right)                                 |   |
| ISR (Input shaft - Right)                                   |   |
| IECTR (IEC type and Input Shaft - Right)                    | = with solid input shaft  |
| CF (Cooling Fans)   | = Standard - Without Coolings Fan   |
| BSTOP (Backstop)  | = Standard - Without Backstop   |
| CM (Casing Material)  | G = Standard - Engineering cast iron  |
| OF (Output Flange)  | = Without Flange  |
| OS (Output shaft)   | FD = Broached flange  |
| MPOF (Mounting Position Output Flange)                      | = Version with gearbox connection without flange  |
| MP (Mounting positions)                                     | M1  |
| ACC1 (ACC1 - Accessories - Output Configuration)            | Without Option  |
| ACC3 (ACC3 - Accessories - Shaft Mounted Version)           | Without Option  |
| ACC4 (ACC4 - Accessories - Expansion tank)                  | Without Expansion tank  |
| ACC5 (ACC5 - Accessories - Cooling Unit)                    | Without exchanger   |
| ACC6 (ACC6 - Accessories - Forced lubrication)              | Without pump  |
| ACC7 (ACC7 - Hydraulic accessories)                         | Without Hydraulic accessories   |
| ACC8 (ACC8 - Accessories - Seal Type)                       | Seal-Type - STANDARD  |
| ACC9 (ACC9 - Accessories - Custom)                          | Without Option  |
| OPT (OPT - Options - Materials of Seals)                    | Oil Seals Standard  |
| OPT1 (OPT1 - Options - Scope of the supply - Options - OIL) | OUTOIL = Gearbox with no lubricant  |
| OPT2 (OPT2 - Options - Painting and surface protection)     | Typ1 = Painting and surface protection - Standard RX 800 - Low environment impact (Normal ambient condition - Typ1) |
| MGBCK (Motor gearboxes - YES/NO)                            | N = NO - Motor gearboxes  |
| MAR (Marking)   |   |
| MGB (Motor gearboxes)                                       |   |
| IN (Options Inverter)                                       |   |
| BF (Options balanced winding)                               |   |
| POL (Pole n.)   |   |
| TOW (Type of winding)                                       |   |
| SIZEM (Motor size)  |   |
| LEN (Length)  |   |
| DV (Design version)   |   |
| PMT (Position Terminal Box)                                 |   |
| AVC (Available configurations)                              |   |
| SDM (Motor shaft diameter)                                  |   |
| F (Flange)  |   |
| HB14 (n° holes flange b14)                                  |   |



All contents, drawings and information in this document are sole property of STM S.p.A.  
It cannot be disclosed for purposes other than under the agreement between the Customer and an authorized STM representative.  
It cannot be reproduced (in whole or in part) without explicit written permission by STM S.p.A. legal representative,  
and in this case the Intellectual property of the document remains solely of STM S.p.A.  
This PDF-Datasheet cancels and replace any previous edition and revision.  
We reserve the right to implement modifications without notice.

Date: 27.01.2022  
Page: E 1

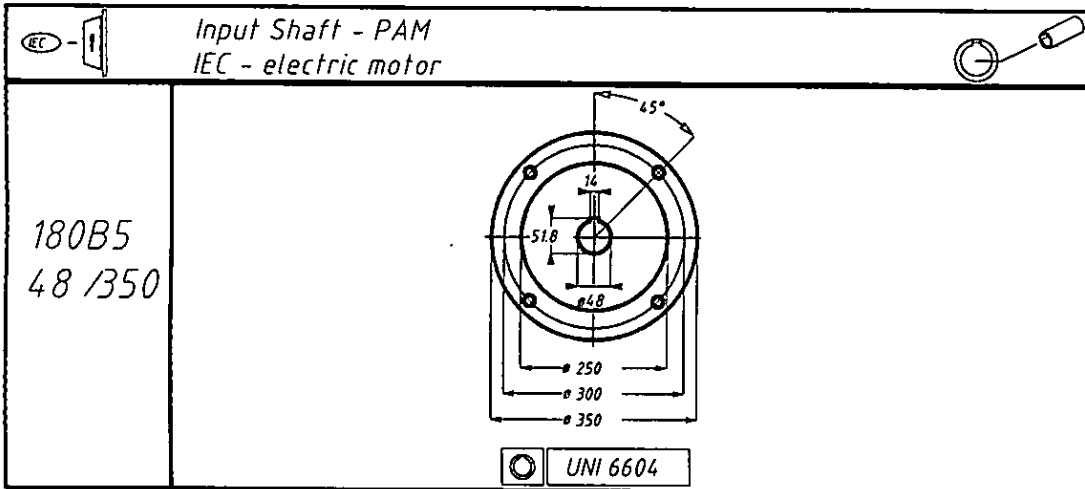
Legal warnings: LW-2010-Struktur.pdf  
Email: info@stm.com  
WebSite: http://www.stm.com



Designation: RX\_P\_3\_810\_BUS\_101\_PAM\_180B5\_G\_FD\_M1\_OUTOIL\_Typ1\_N

**E.2 - E.3 INPUT - TECHNICAL DETAILS:**

|     |         |                               |       |         |                               |  |
|-----|---------|-------------------------------|-------|---------|-------------------------------|--|
| E.2 | TYPCONL | Left Connection Type          |       | TYPCONM | Main Connection Type          |  |
| E.2 | IVL     | Left Input Version            | PAM   | IVM     | Main Input Version            |  |
| E.2 | ISL     | Left Input Shaft              | 180B5 | ISM     | Main Inspection Cover         |  |
| E.2 | IECTL   | Left IEC Type and Input Shaft | G     | IECTM   | Main IEC type and Input Shaft |  |



|     |         |                                |   |         |                              |  |
|-----|---------|--------------------------------|---|---------|------------------------------|--|
| E.2 | TYPCONR | Right Connection Type          |   | TYPCONS | 2ry Connection Type          |  |
| E.2 | IVR     | Right Input Version            | - | IVS     | 2ry Input Version            |  |
| E.2 | ISR     | Right Input Shaft              | - | ISS     | 2ry Input Shaft              |  |
| E.2 | IECTR   | Right IEC Type and Input Shaft | - | IECTS   | 2ry IEC Type and Input Shaft |  |



All contents, drawings and information in this document are sole property of STM S.p.A.  
It cannot be disclosed for purposes other than, under the agreement between the Customer and an authorized STM representative.  
It cannot be reproduced (In whole or in part) without explicit written permission by STM S.p.A. legal representative,  
and in this case the intellectual property of the document remains solely of STM S.p.A.  
This PDF-Datasheet cancels and replace any previous edition and revision.  
We reserve the right to implement modifications without notice.

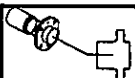
Date: 27.01.2022  
Page: E 5

Legal warnings: LW\_203D-Symstar.pdf  
Email: info@stm.com  
WebSite: http://www.stmspa.com

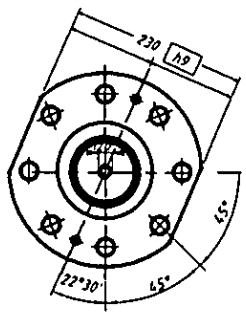
Designation: RX\_P\_3\_810\_BUS\_101\_PAM\_180B6\_G\_FD\_M1\_OUTOIL\_Typ1\_N

**E.4 - E.5 OUTPUT - TECHNICAL DETAILS:**

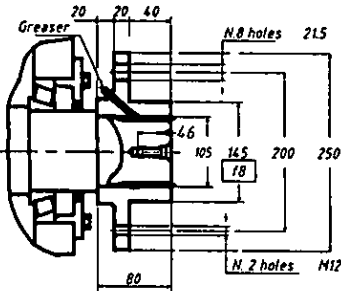
|     |    |              |    |    |                |  |
|-----|----|--------------|----|----|----------------|--|
| E.4 | OS | Output Shaft | FD | SD | Shaft Diameter |  |
|-----|----|--------------|----|----|----------------|--|




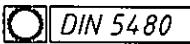
*Output Shaft  
Broached flange*



810



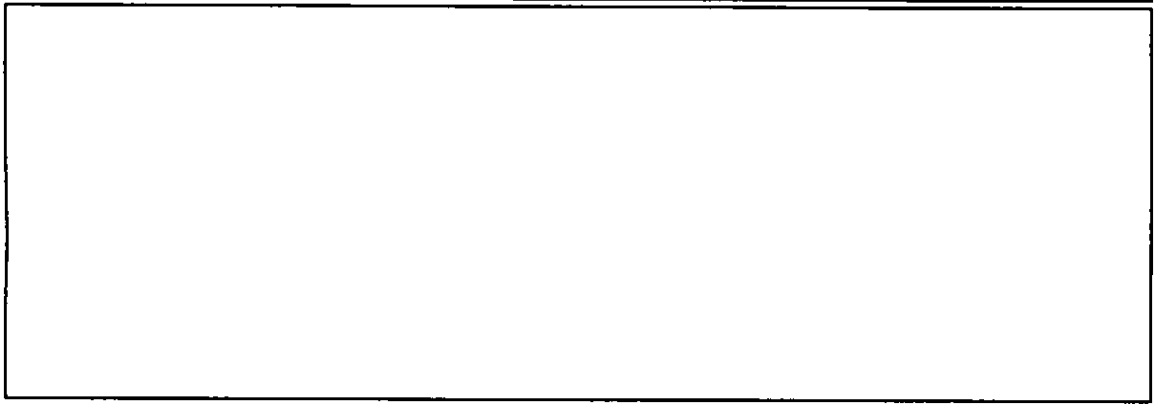




DIN 5480

*Maschine Shaft*

|     |    |               |  |      |                                 |   |
|-----|----|---------------|--|------|---------------------------------|---|
| E.5 | OF | Output Flange |  | MPOF | Mounting Position Output Flange | - |
|-----|----|---------------|--|------|---------------------------------|---|



All contents, drawings and information in this document are sole property of STM S.p.A. It cannot be disclosed for purposes other than under the agreement between the Customer and an authorized STM representative. It cannot be reproduced (in whole or in part) without explicit written permission by STM S.p.A. legal representative, and in this case the intellectual property of the document remains solely of STM S.p.A. This PDF-Datasheet cancels and replace any previous edition and revision. We reserve the right to implement modifications without notice.

Date: 27.01.2022  
Page: E 7  
Legal warnings: LW-2030-Smstar.pdf  
Email: info@stm.com  
WebSite: http://www.stmspa.com