

WOOJIN PLAIMM

SPEC. CATALOGUE

THE WORLD'S BEST INJECTION MOLDING MACHINE

DL - S

| | | DL450S | | | DL550S | | | DL650S | | | DL850S | | | DL1050S | | |
|--|--------------------|-------------|------|-------|-------------|-------|------|-------------|-------|------|-------------|------|------|-------------|------|------|
| | | IH2800 | | | IH4200 | | | IH5900 | | | IH8800 | | | IH8800 | | |
| Injection Unit | | | | | | | | | | | | | | | | |
| Screw & Barrel Type | | O | A | B | O | A | B | O | A | B | O | A | B | O | A | B |
| Screw diameter | mm | 65 | 70 | 80 | 70 | 80 | 90 | 80 | 90 | 105 | 95 | 105 | 115 | 95 | 105 | 115 |
| Injection pressure | kg/cm ² | 2191 | 1889 | 1446 | 2465 | 1887 | 1491 | 2386 | 1885 | 1385 | 2145 | 1756 | 1464 | 2145 | 1756 | 1464 |
| | Mpa | 215 | 185 | 142 | 242 | 185 | 146 | 234 | 185 | 136 | 210 | 172 | 144 | 210 | 172 | 144 |
| Theoretical injection volume | cm ³ | 1270 | 1480 | 1930 | 1690 | 2210 | 2790 | 2480 | 3140 | 4280 | 4110 | 5020 | 6020 | 4110 | 5020 | 6020 |
| Shot weight | g | 1170 | 1364 | 1778 | 1557 | 2037 | 2571 | 2285 | 2894 | 3944 | 3787 | 4626 | 5547 | 3787 | 4626 | 5547 |
| Injection rate | cm ³ /s | 457 | 531 | 693 | 493 | 644 | 815 | 633 | 801 | 1090 | 844 | 1031 | 1236 | 844 | 1031 | 1236 |
| Screw stroke | mm | 385 | 385 | 385 | 440 | 440 | 440 | 495 | 495 | 495 | 583 | 583 | 583 | 583 | 583 | 583 |
| Injection speed | mm/s | 138 | 138 | 138 | 128 | 128 | 128 | 126 | 126 | 126 | 119 | 119 | 119 | 119 | 119 | 119 |
| Plasticizing capacity | kg/h | 225 | 359 | 328 | 259 | 328 | 395 | 318 | 395 | 515 | 409 | 515 | 607 | 409 | 515 | 607 |
| Screw rotation | rpm | 195 | 185 | 165 | 185 | 165 | 145 | 160 | 145 | 125 | 130 | 125 | 115 | 130 | 125 | 115 |
| Clamping Unit | | | | | | | | | | | | | | | | |
| Clamping force | ton(kN) | 450(4413) | | | 550(5394) | | | 650(6374) | | | 850(8336) | | | 1050(10297) | | |
| Mold opening force | ton(kN) | 31(304) | | | 38(373) | | | 45(441) | | | 58(569) | | | 74(726) | | |
| Distance between tie-bar (H × V) | mm | 860x810 | | | 915x915 | | | 1010x1010 | | | 1110x1110 | | | 1410x1110 | | |
| Platen size (H × V) | mm | 1240x1190 | | | 1330x1330 | | | 1460x1460 | | | 1610x1610 | | | 1950x1650 | | |
| Daylight | mm | 1450 | | | 1600 | | | 1800 | | | 2300 | | | 2400 | | |
| Min. mold height | mm | 350 | | | 400 | | | 450 | | | 500 | | | 600 | | |
| Max. mold height | mm | 800 | | | 950 | | | 1100 | | | 1200 | | | 1200 | | |
| Ejector force | ton(kN) | 11.1(109) | | | 16.6(163) | | | 19.8(194) | | | 26.9(264) | | | 26.9(264) | | |
| Ejector stroke | mm | 200 | | | 220 | | | 250 | | | 250 | | | 250 | | |
| General | | | | | | | | | | | | | | | | |
| Total heat capacity | kW | 18.4 | 20.6 | 24.1 | 23 | 26.7 | 30.7 | 29.4 | 33.6 | 39.3 | 39.7 | 44.7 | 49.4 | 39.7 | 44.7 | 49.4 |
| Electric motor power capacity (Standard) | kW | 78.0 | | | 92.4 | | | 124.7 | | | 137.4 | | | 137.4 | | |
| Total Electric Power capacity (Standard) | kW | 96.5 | 98.7 | 102.2 | 115.4 | 119.2 | 123 | 154.1 | 158.3 | 164 | 177.1 | 182 | 187 | 177.1 | 182 | 187 |
| Total oil reservoir capacity | l | 950 | | | 1200 | | | 1500 | | | 1800 | | | 1800 | | |
| Machine weight | ton | 19 | | | 26 | | | 32 | | | 41 | | | 52 | | |
| Machine dimension (L × W × H) | m | 6.7x2.4x2.2 | | | 7.6x2.5x2.2 | | | 8.3x2.6x2.4 | | | 9.5x2.8x2.5 | | | 9.7x3.2x2.5 | | |
| Cooling water requirement | l/min | 130 | | | 180 | | | 180 | | | 180 | | | 180 | | |

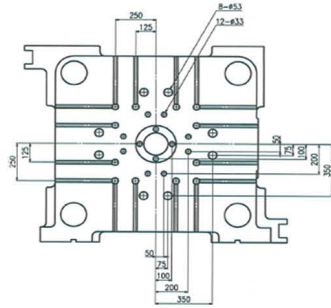
01. Theoretical injection volume: screw cross section*screw stroke.

02. Mold size should be more than 60% of tie-bar distance.

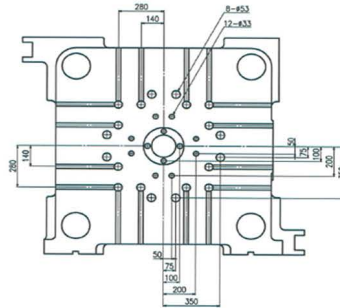
03. The specifications might be changed without any prior notice for optional purpose and/or quality improvement.

| | | DL1300S | | DL1800S | | DL2000S | | DL2500S | | DL3000S | | DL3500S | | DL3500S | |
|--|--------------------|--------------|-------|--------------|-------|--------------|-------|--------------|-------|-------------|-------|------------------|-------|------------------|-------|
| | | IH11900 | | IH15300 | | IH15300 | | IH21500 | | IH31700 | | IH66300 | | IH100200 | |
| Injection Unit | | | | | | | | | | | | | | | |
| Screw & Barrel Type | | A | B | A | B | A | B | A | B | A | B | A | B | A | B |
| Screw diameter | mm | 115 | 125 | 125 | 140 | 125 | 140 | 140 | 160 | 160 | 180 | 200 | 220 | 230 | 250 |
| Injection pressure | kg/cm ² | 1809 | 1531 | 1814 | 1446 | 1814 | 1446 | 1816 | 1391 | 1792 | 1416 | 1744 | 1441 | 1753 | 1484 |
| | Mpa | 177 | 150 | 178 | 142 | 178 | 142 | 178 | 136 | 176 | 139 | 171 | 141 | 172 | 146 |
| Theoretical injection volume | cm ³ | 6570 | 7760 | 8430 | 10580 | 8430 | 10580 | 11850 | 15480 | 17690 | 22390 | 38013 | 45996 | 57128 | 67495 |
| Shot weight | g | 6054 | 7151 | 7768 | 9749 | 7768 | 9749 | 10920 | 14265 | 16301 | 20632 | 35029 | 42385 | 52643 | 62197 |
| Injection rate | cm ³ /s | 1275 | 1506 | 1271 | 1595 | 1271 | 1595 | 1547 | 2020 | 1649 | 2087 | 2299 | 2781 | 2918 | 3448 |
| Screw stroke | mm | 632 | 632 | 687 | 687 | 687 | 687 | 770 | 770 | 885 | 885 | 1210 | 1210 | 1375 | 1375 |
| Injection speed | mm/s | 123 | 123 | 104 | 104 | 104 | 104 | 100 | 100 | 82 | 82 | 73 | 73 | 70 | 70 |
| Plasticizing capacity | kg/h | 607 | 697 | 697 | 850 | 697 | 850 | 805 | 1026 | 974 | 1254 | 1533 | 1841 | 1900 | 2080 |
| Screw rotation | rpm | 115 | 105 | 105 | 95 | 105 | 95 | 90 | 80 | 76 | 71 | 65 | 60 | 55 | 50 |
| Clamping Unit | | | | | | | | | | | | | | | |
| Clamping force | ton(kN) | 1300(12749) | | 1800(17652) | | 2000(19613) | | 2500(24517) | | 3000(29420) | | 3500(34323) | | 3500(34323) | |
| Mold opening force | ton(kN) | 89(873) | | 124(1216) | | 138(1353) | | 166(1628) | | 200(1961) | | 206(2020) | | 206(2020) | |
| Distance between tie-bar (H × V) | mm | 1410x1410 | | 1610x1610 | | 1810x1610 | | 1820x1620 | | 1920x1820 | | 2320*1920 | | 2320*1920 | |
| Platen size (H × V) | mm | 1950x1950 | | 2150x2150 | | 2450x2150 | | 2500x2300 | | 2550x2450 | | 3200*2800 | | 3200*2800 | |
| Daylight | mm | 2500 | | 3200 | | 3200 | | 3600 | | 3800 | | 4000 | | 4000 | |
| Min. mold height | mm | 700 | | 800 | | 800 | | 900 | | 1000 | | 1000 | | 1000 | |
| Max. mold height | mm | 1200 | | 1500 | | 1500 | | 1700 | | 1900 | | 2000 | | 2000 | |
| Ejector force | ton(kN) | 34.4(345) | | 44.5(437) | | 44.5(437) | | 67.8(665) | | 68.7(674) | | 67.8(665) | | 67.8(665) | |
| Ejector stroke | mm | 300 | | 300 | | 300 | | 350 | | 350 | | 350 | | 350 | |
| General | | | | | | | | | | | | | | | |
| Total heat capacity | kW | 54.7 | 58.1 | 61.6 | 70.8 | 61.6 | 70.8 | 78.4 | 93.1 | 107.3 | 124.5 | 157.7 | 184.5 | 220 | 240.5 |
| Electric motor power capacity (Standard) | kW | 181.3 | | 181.3 | | 181.3 | | 226.4 | | 238.0 | | 313.0 | | 397.3 | |
| Total Electric Power capacity (Standard) | kW | 235.9 | 239.4 | 243.2 | 252.4 | 243.2 | 252.4 | 304.8 | 317.5 | 344.3 | 361.4 | 470 | 491 | 612 | 637 |
| Total oil reservoir capacity | l | 2500 | | 3200 | | 3200 | | 4200 | | 4500 | | 5000 | | 5500 | |
| Machine weight | ton | 66 | | 95 | | 110 | | 130 | | 150 | | 233 | | 245 | |
| Machine dimension (L × W × H) | m | 10.7x3.4x3.0 | | 12.3x3.8x3.3 | | 12.3x4.0x3.3 | | 13.9x4.2x3.6 | | 15x4.4x4.0 | | 17.4 * 5.1 * 4.2 | | 18.9 * 5.1 * 4.2 | |
| Cooling water requirement | l/min | 185 | | 185 | | 185 | | 240 | | 240 | | 240 | | 240 | |

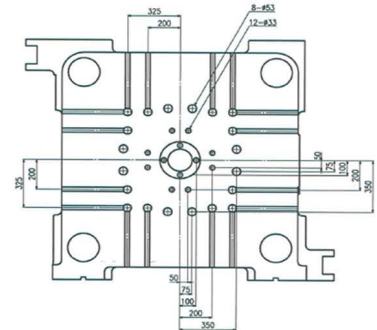
Platen Dimension



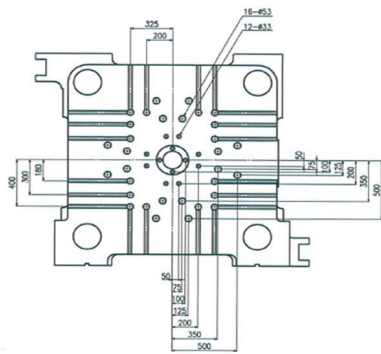
450 ton



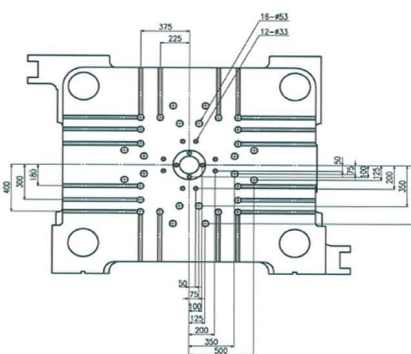
550 ton



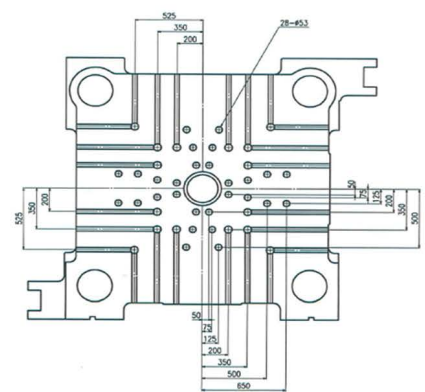
650 ton



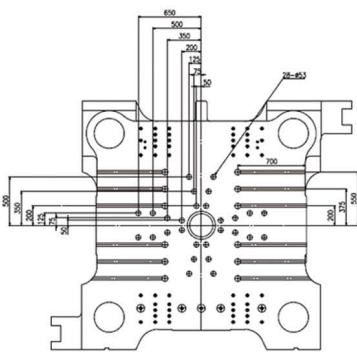
850 ton



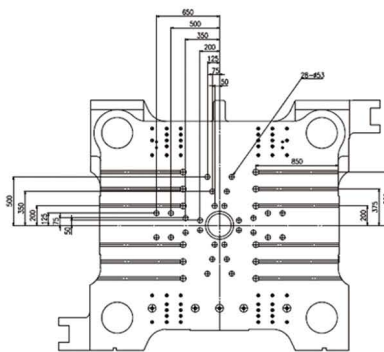
1050 ton



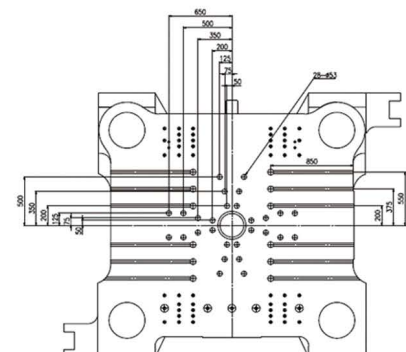
1300 ton



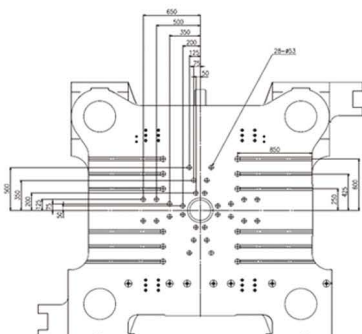
1800 ton



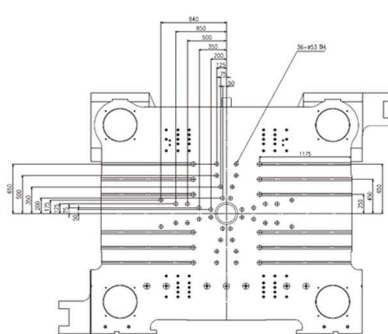
2000 ton



2500 ton



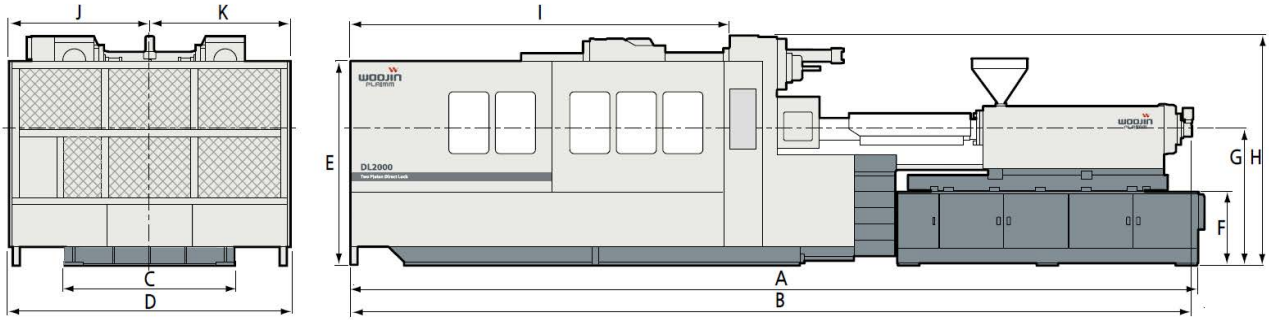
3000 ton



3500 ton

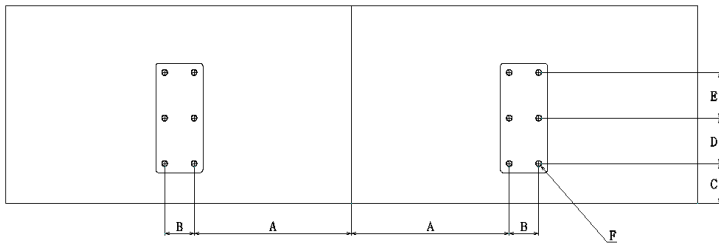
* The images and specifications might be changed without any prior notice for optional purpose and/or quality improvement.

Machine Dimension

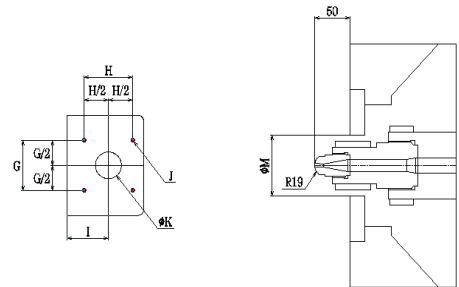


Unit: mm

| | A | B | C | D | E | F | G | H | I | J | K |
|------------------|-------|-------|------|------|------|------|------|------|------|--------|--------|
| DL450S | 6692 | 6692 | 1280 | 2307 | 2097 | 867 | 1410 | 2105 | 2715 | 1277 | 1030 |
| DL 550S | 7564 | 7564 | 1330 | 2422 | 2177 | 867 | 1410 | 2190 | 2974 | 1337 | 1085 |
| DL650S | 8260 | 8260 | 1430 | 2598 | 2292 | 868 | 1450 | 2305 | 3248 | 1428 | 1170 |
| DL850S | 9475 | 9475 | 1610 | 2794 | 2407 | 868 | 1490 | 2435 | 3880 | 1489 | 1305 |
| DL1050S | 9635 | 9635 | 1910 | 3133 | 2382 | 868 | 1490 | 2475 | 4040 | 1658 | 1474 |
| DL1300S | 10652 | 10652 | 1890 | 3373 | 2560 | 989 | 1720 | 2915 | 4470 | 1687 | 1687 |
| DL1800S | 12207 | 12207 | 2170 | 3724 | 2835 | 1023 | 1890 | 3265 | 5240 | 1862 | 1862 |
| DL2000S | 12257 | 12257 | 2380 | 3934 | 2835 | 1023 | 1890 | 3295 | 5290 | 1967 | 1967 |
| DL2500S | 13844 | 13844 | 2480 | 4154 | 3120 | 1220 | 2085 | 3568 | 6032 | 2102 | 2052 |
| DL3000S | 15000 | 15000 | 2670 | 4378 | 3353 | 1358 | 2235 | 3873 | 6342 | 2194 | 2184 |
| DL3500S-IH66300 | 17340 | 17340 | 3170 | 5013 | 3520 | 1561 | 2435 | 4185 | 6732 | 2521.6 | 2491.6 |
| DL3500S-IH100200 | 18849 | 18849 | 3170 | 5013 | 3520 | 1485 | 2435 | 4185 | 6732 | 2521.6 | 2491.6 |



▲ Automatic extractor installation



▲ Hopper installation

▲ Nozzle dimension

Unit: mm

| | Automatic extractor installation | | | | | | Hopper installation | | | | | Nozzle 제원 | |
|------------------|----------------------------------|-----|-----|-----|-----|--------|---------------------|-----|-----|-------|-----|-----------|----|
| | A | B | C | D | E | F | G | H | I | J | K | M | øN |
| DL450S | 210 | - | 105 | 185 | - | 4-M20 | 165 | 165 | 120 | 4-M12 | 68 | 100 | 4 |
| DL550S | 195 | - | 105 | 245 | - | 4-M20 | 165 | 165 | 130 | 4-M12 | 78 | 100 | 5 |
| DL650S | 235 | - | 110 | 265 | - | 4-M24 | 165 | 165 | 140 | 4-M12 | 88 | 100 | 5 |
| DL850S | 235 | - | 115 | 330 | - | 4-M24 | 165 | 165 | 170 | 4-M12 | 103 | 100 | 6 |
| DL1050S | 335 | - | 125 | 375 | - | 4-M30 | 165 | 165 | 170 | 4-M12 | 103 | 100 | 6 |
| DL1300S | 535 | 100 | 130 | 150 | 150 | 12-M20 | 280 | 200 | 190 | 4-M16 | 113 | 120 | 6 |
| DL1800S | 725 | 450 | 150 | 150 | 150 | 12-M30 | 280 | 200 | 200 | 4-M16 | 123 | 120 | 7 |
| DL2000S | 830 | 450 | 150 | 150 | 150 | 12-M30 | 280 | 200 | 200 | 4-M16 | 123 | 120 | 7 |
| DL2500S | 850 | 450 | 170 | 200 | 200 | 12-M30 | 280 | 200 | 220 | 4-M16 | 138 | 120 | 7 |
| DL3000S | 900 | 500 | 260 | 250 | 250 | 12-M30 | 280 | 200 | 240 | 4-M16 | 158 | 120 | 8 |
| DL3500S-IH66300 | 1115 | 500 | 165 | 300 | 300 | 12-M30 | 280 | 200 | 300 | 4-M16 | 196 | 120 | 8 |
| DL3500S-IH100200 | 1115 | 500 | 165 | 300 | 300 | 12-M30 | 280 | 200 | 345 | 4-M16 | 228 | 120 | 8 |

* The images and specifications might be changed without any prior notice for optional purpose and/or quality improvement.



CopyRight©2021, WOOJIN PLAIMM Co.,Ltd

The brochure is protected by copyright.
Any utilization, which is not expressly permitted under copyright legislation,
requires the previous approval of WOOJIN PLAIMM

* The product images and specifications might be changed without any prior notice for optional purpose and/or quality improvement.
* This is an updated content as of March 9, 2021. (These specifications may differ from the actual selling device.)