

Quality. Safety. Efficiency.
Only Quality is economical in the long run



Hydraulikpuffer
Typ PUDZ III Patrone

Hydraulic Buffer
Type PUDZ III Capsule

Technische Daten / Zeichnung
technical data / drawing
140826



Hydraulic Buffer PUDZ II ø 50 Cartridge



RÖMER Fördertechnik GmbH
Nielandstraße 53 * D-58300 Wetter

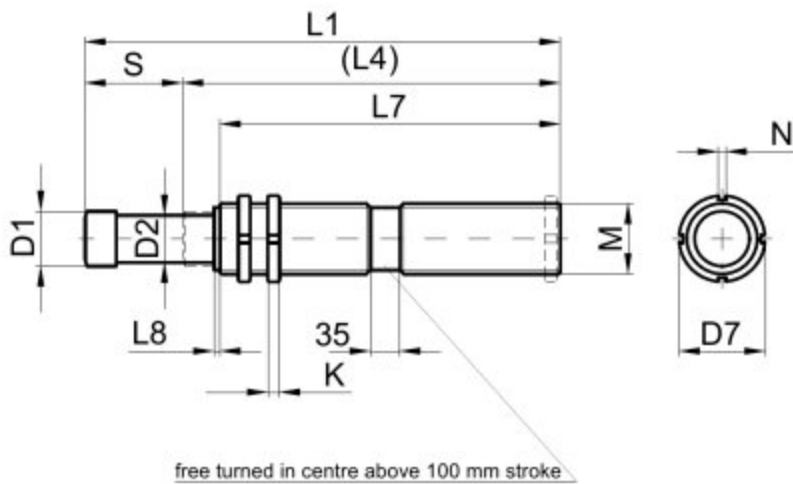
Capacity data:

piston-Ø [mm]	stroke s [mm]	buffer force max. [kN]	max. energy absorp./stroke [kJ/stroke] ¹⁾	max. energy absorption/h [kJ/h] ²⁾	static recoil forces		max. angular deviation [°] ⁴⁾	weight		
					beginning of stroke [kN] ³⁾	end of stroke [kN] ³⁾		W [kg]	F [kg]	S [kg]
50	50	70	3,2	200	1,0	4,7	4,0	4,2	6,2	7,3
	75	70	4,8	300		5,3	3,5	4,9	6,9	8,0
	100	60	5,4	400		6,6	3,0	5,4	7,4	8,5
	150	50	6,8	600		6,6	2,5	6,9	8,9	10,0

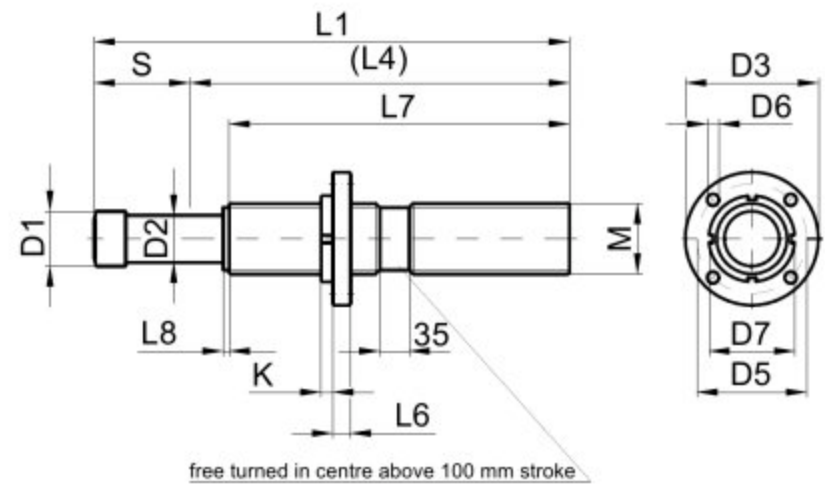
¹⁾ Data for standard characteristic k=1,1
²⁾ at 30 °C ambient temperature

³⁾ at 5 bar gas pressure (nitrogen)
⁴⁾ at max. buffer force

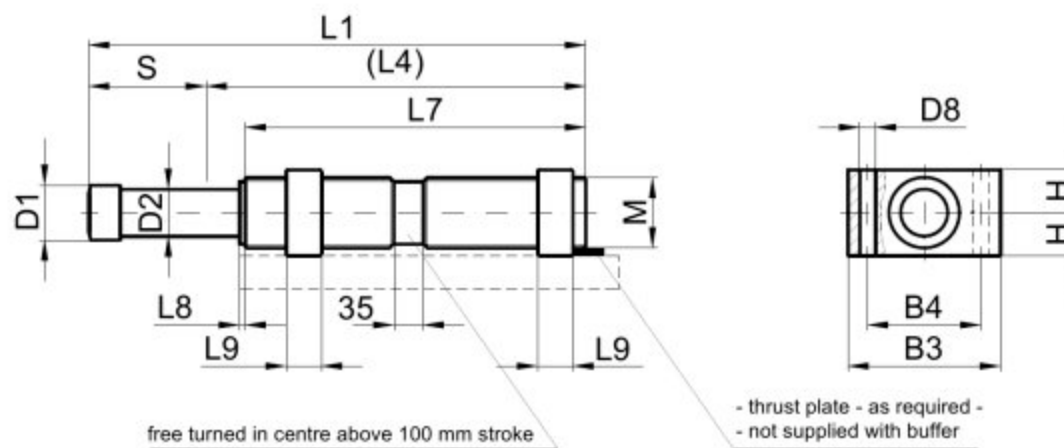
Standard stroke (available at short notice)
Intermediate lengths and special designs on request.



Version W



Version F



Version S

Dimensions:

in mm

piston-Ø	stroke s	B3	B4	D1	D2	D3	D5	D6	D7	D8	H	K	L1	L4	L6	L7	L8	L9	M	N
50	50	120	90	60	48	136	115	13	85	17	50	12	280	230	25	185	9	30	M 64 x 2	8
	75												360	285		240				
	100												425	325		280				
	150												560	410		365				

Tel.: +49 - (0) 23 35 / 80 29 - 0
Fax: +49 - (0) 23 35 / 80 29 - 29

eMail: info@roemer-foerdertechnik.de
Internet: www.roemer-foerdertechnik.de

Modifications reserved - 091128

Hydraulic Buffer PUDZ II ø 63 Cartridge



RÖMER Fördertechnik GmbH
Nielandstraße 53 * D-58300 Wetter

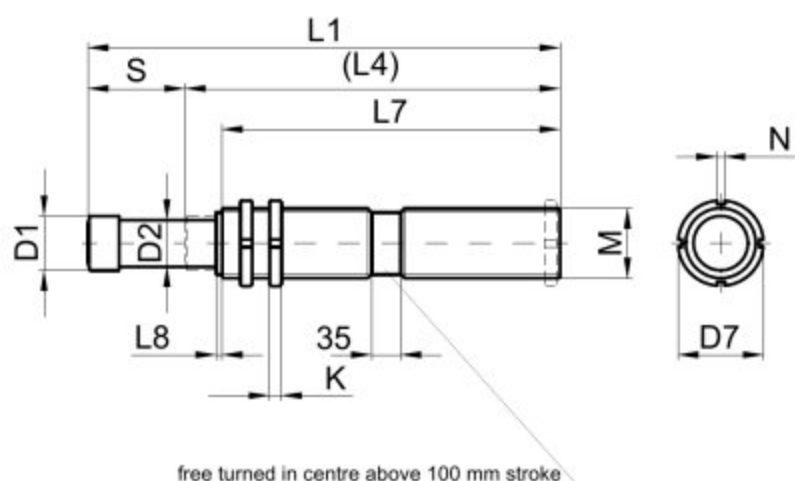
Capacity data:

piston-Ø [mm]	stroke s [mm]	buffer force max. [kN]	max. energy absorp./stroke [kJ/stroke] ¹⁾	max. energy absorption/h [kJ/h] ²⁾	static recoil forces		max. angular deviation [°] ⁴⁾	weight		
					beginning of stroke [kN] ³⁾	end of stroke [kN] ³⁾		W [kg]	F [kg]	S [kg]
63	50	100	4,5	320	1,5	10	4,2	7,8	10,9	11,6
	75	100	6,8	480		11	3,2	8,8	11,9	12,6
	100	90	8,2	640		13	2,6	10,3	13,4	14,1
	150	80	10,9	960		17	2,2	12,9	16,0	16,7

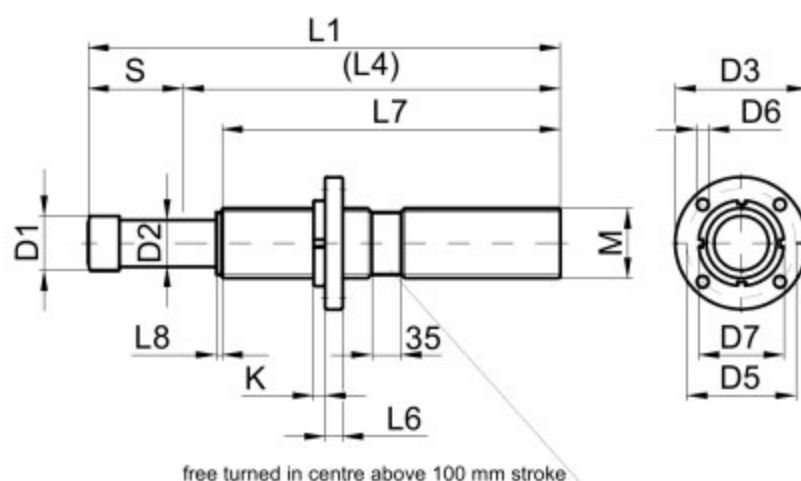
¹⁾ Data for standard characteristic k=1,1
²⁾ at 30 °C ambient temperature

³⁾ at 5 bar gas pressure (nitrogen)
⁴⁾ at max. buffer force

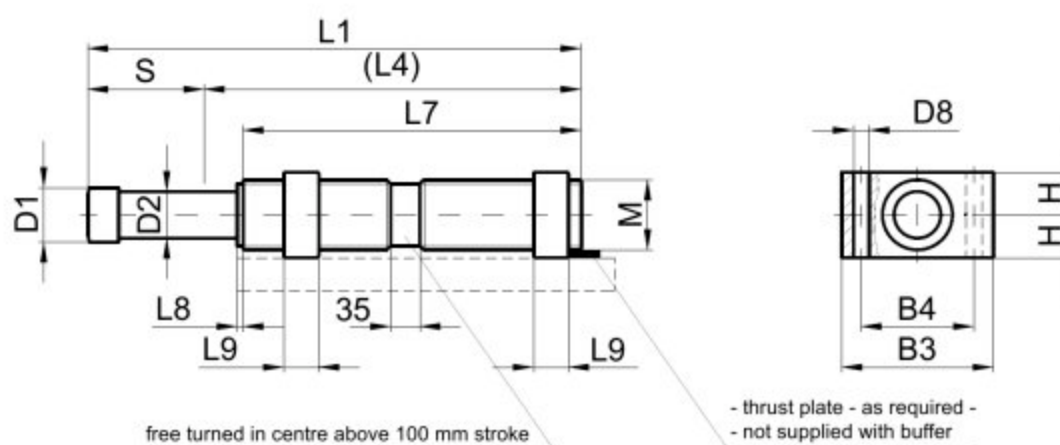
Standard stroke (available at short notice)
Intermediate lengths and special designs on request.



Version W



Version F



Version S

Dimensions:

in mm

piston-Ø	stroke s	B3	B4	D1	D2	D3	D5	D6	D7	D8	H	K	L1	L4	L6	L7	L8	L9	M	N
63	50	150	120	79	60	175	140	18	105	21	59	16	280	230	25	185	9	30	M82 x 2	8
	75												360	285		240				
	100												425	325		280				
	150												560	410		365				

Tel.: +49 - (0) 23 35 / 80 29 - 0
Fax: +49 - (0) 23 35 / 80 29 - 29

eMail: info@roemer-foerdertechnik.de
Internet: www.roemer-foerdertechnik.de

Modifications reserved - 091128