

FLBU ball screw support bearings

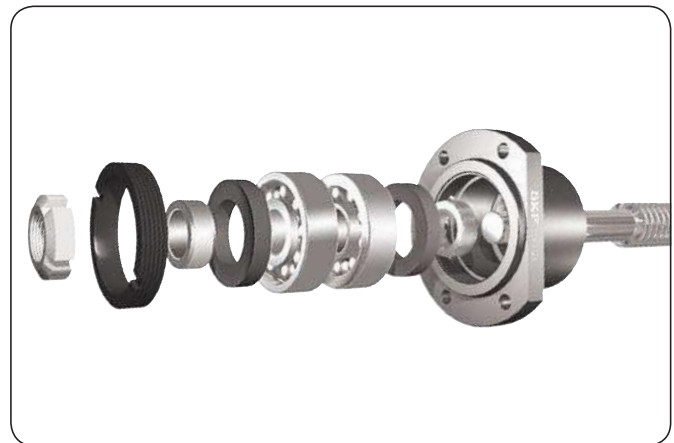
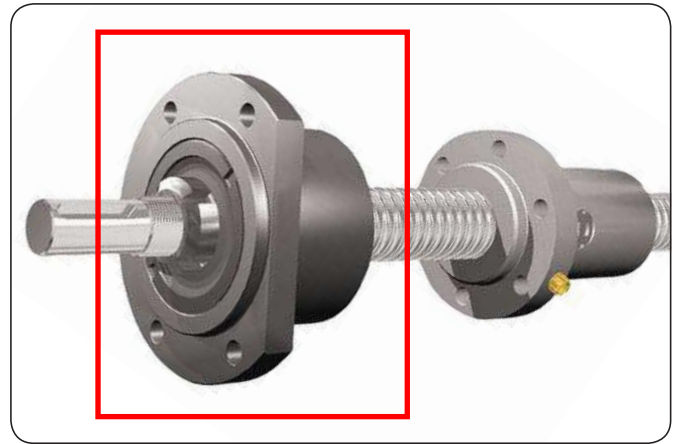
Axially locating flanged housings fitted with SKF angular contact ball bearings

Features

- Precision machined housing made of bur-nished steel
- Two SKF preloaded angular contact ball bearings, 72 or 73 series, in back-to-back arrangement
- Two garter seals
- Standard self-locking Nylstop nut or high precision KMT nut upon request.

Benefits

- Complete support bearing ready to use, simplified application design, easy ordering process
- Quick assembly onto shaft end
- Elimination of most technical risks with bearings and seals assembly
- Support bearing dimensions and load carrying capacity matched to the ball screw characteristics
- Bearings back-to-back assembly with preload for stiff and accurate ball screw positioning
- Greased for life / maintenance-free.

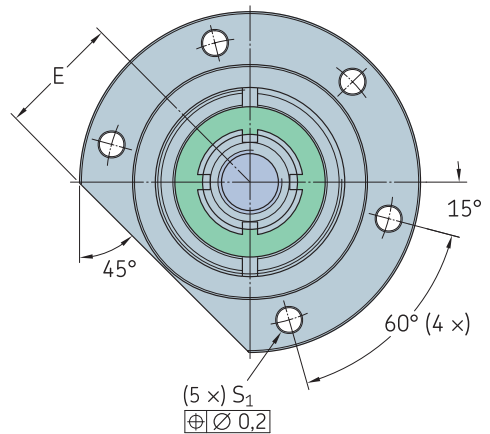
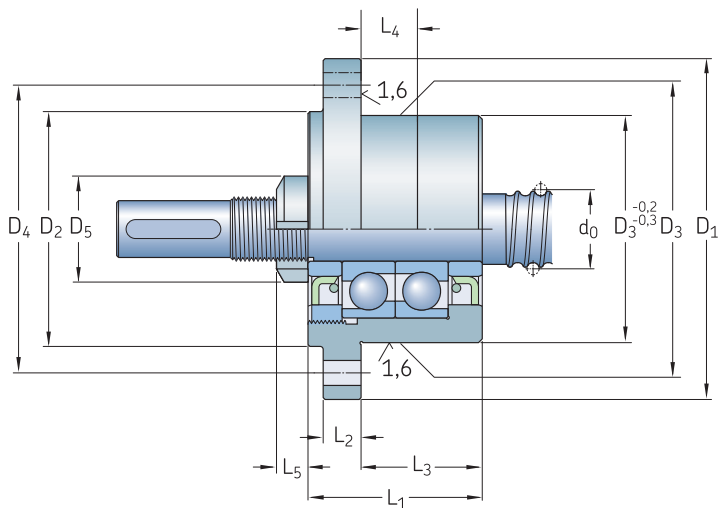


Nominal diameter	Angular contact ball bearing (40°)			SKF bearing designation	Lock nut		High precision nut ³⁾		Tightening torque	Grub screws size	tightening torque max.	Flanged support bearing designation
	Basic load rating (axial) dynamic	static	Axial stiffness		Self-locking nut Designation	Hook spanner	Designation	Hook spanner				
d_0	C_a	C_{0a}							Nm		Nm	
mm	kN		N/ μ m	–	–	–	–	–	Nm	–	Nm	–
16	12,2	12,8	play	7200 BECB ¹⁾	CN 70-10	HN 1	KMT 0	HN 2/3	4	M5	4,5	FLBU 16
20	13,3	14,7	125	7201 BEGA ²⁾	CN 70-12	HN 1	KMT 1	HN 3	8	M5	4,5	FLBU 20
25	27,9	31,9	150	7303 BEGA ²⁾	CN 70-17	HN3	KMT 3	HN 4	15	M6	8	FLBU 25
32	24,6	31,9	176	7204 BEGA ²⁾	CN 70-20	HN 4	KMT 4	HN 5	18	M6	8	FLBU 32
40	41,9	59,6	222	7206 BEGA ²⁾	CN 70-30	HN 6	KMT 6	HN 6	32	M6	8	FLBU 40
50	54,5	79,8	250	7207 BEGA ²⁾	CN 70-35	HN 7	KMT 7	HN 7	40	M6	8	FLBU 50
63	128	196,1	353	7310 BEGA ²⁾	CN 70-50	HN 10	KMT 10	HN 10/11	60	M8	18	FLBU 63

¹⁾ No backlash elimination

²⁾ Light preload

³⁾ Optional



Screw Support bearing

d ₀	L ₁	L ₂	L ₃	L ₄	Self-locking nut		High precision nut ⁴⁾			D ₁	D ₂	D ₃ h7	D ₄	S ₁ H13	E	Fixing screws
					L ₅	D ₅	L ₅	D ₅	D ₅							
mm	mm															
16	37	10	22	12	7	18	14	28	76	50	47	63	6,6	26	M6×30	
20	42	10	25	12	7,5	21	14	30	76	50	47	63	6,6	27	M6×30	
25	46	10	32	18	8,3	28	18	37	90	62	60	76	6,6	32	M6×30	
32	49	13	32	18	8,3	32	18	40	90	59	60	74	9	32	M8×40	
40	53	16	32	18	11	44	20	49	120	80	80	100	11	44	M10×45	
50	59	20	32	18	11	50	22	54	130	89	90	110	13	49	M12×60	
63	85	25	43,5	22	11,7	68	25	75	165	124	124	146	13	64	M12×60	

⁴⁾ Optional