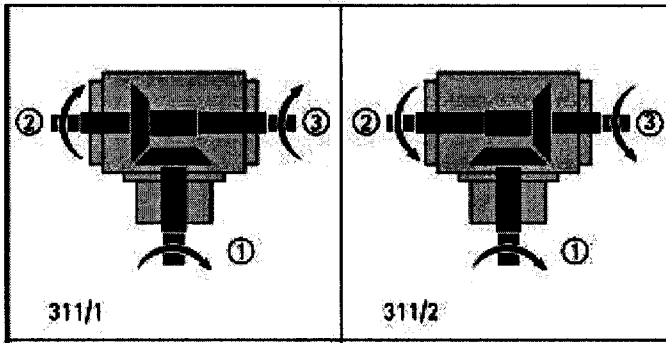


K110-311/1

K110-311/2



These are the two types. → it is more or less the same gearbox.  
The only difference are borings if not on both sides.

