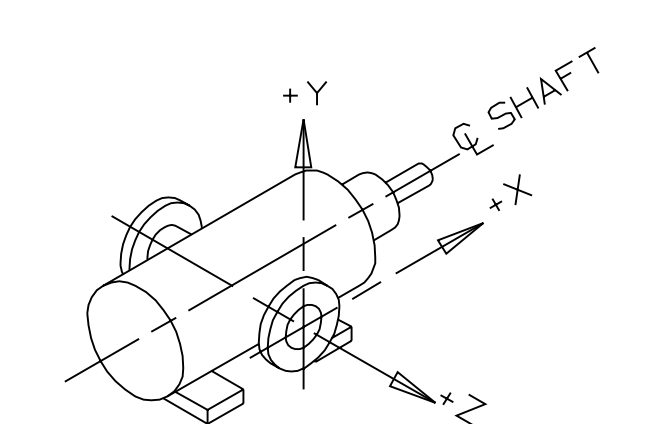
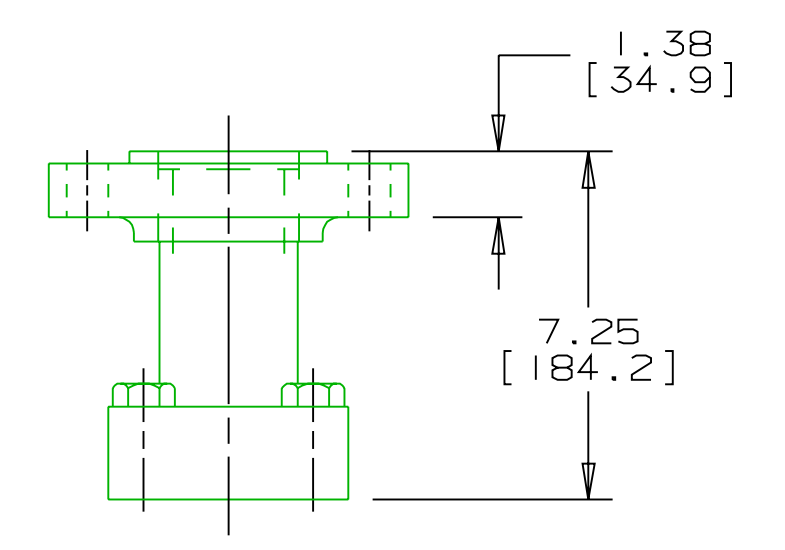
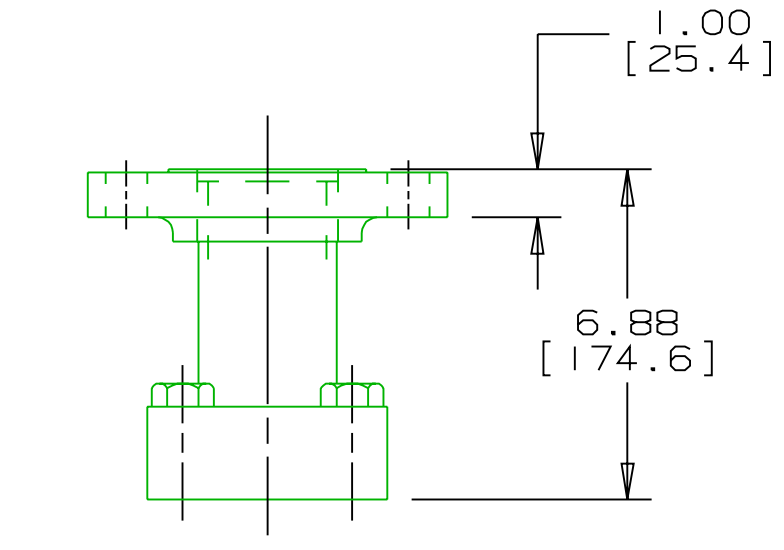
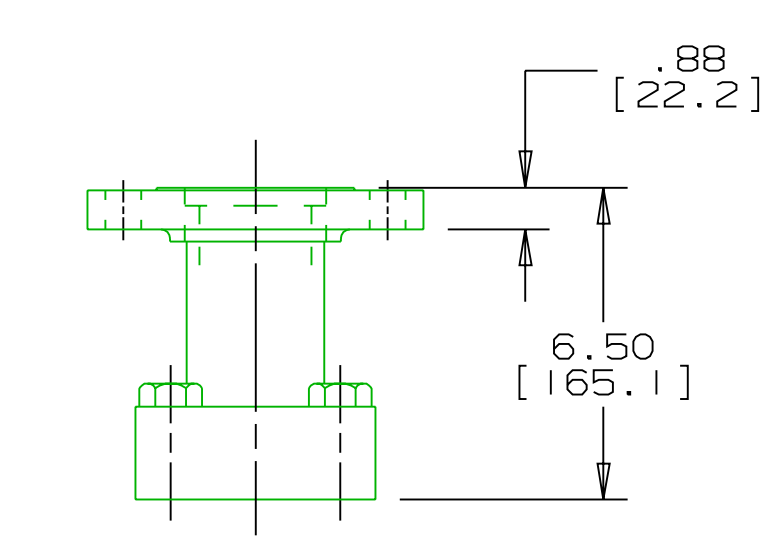
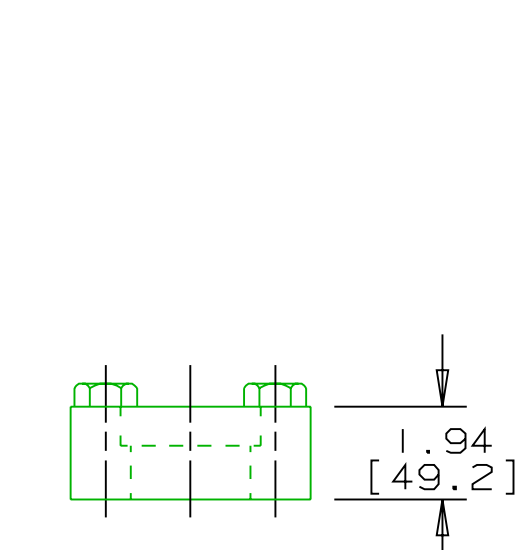


REVISION HISTORY					
CHG NO	ZONE	REV	DESCRIPTION	DATE	BY / APPROVED
00-0579	ALL	1	UPDATED TO CURRENT STANDARDS	11-14-00	DMM / DMM



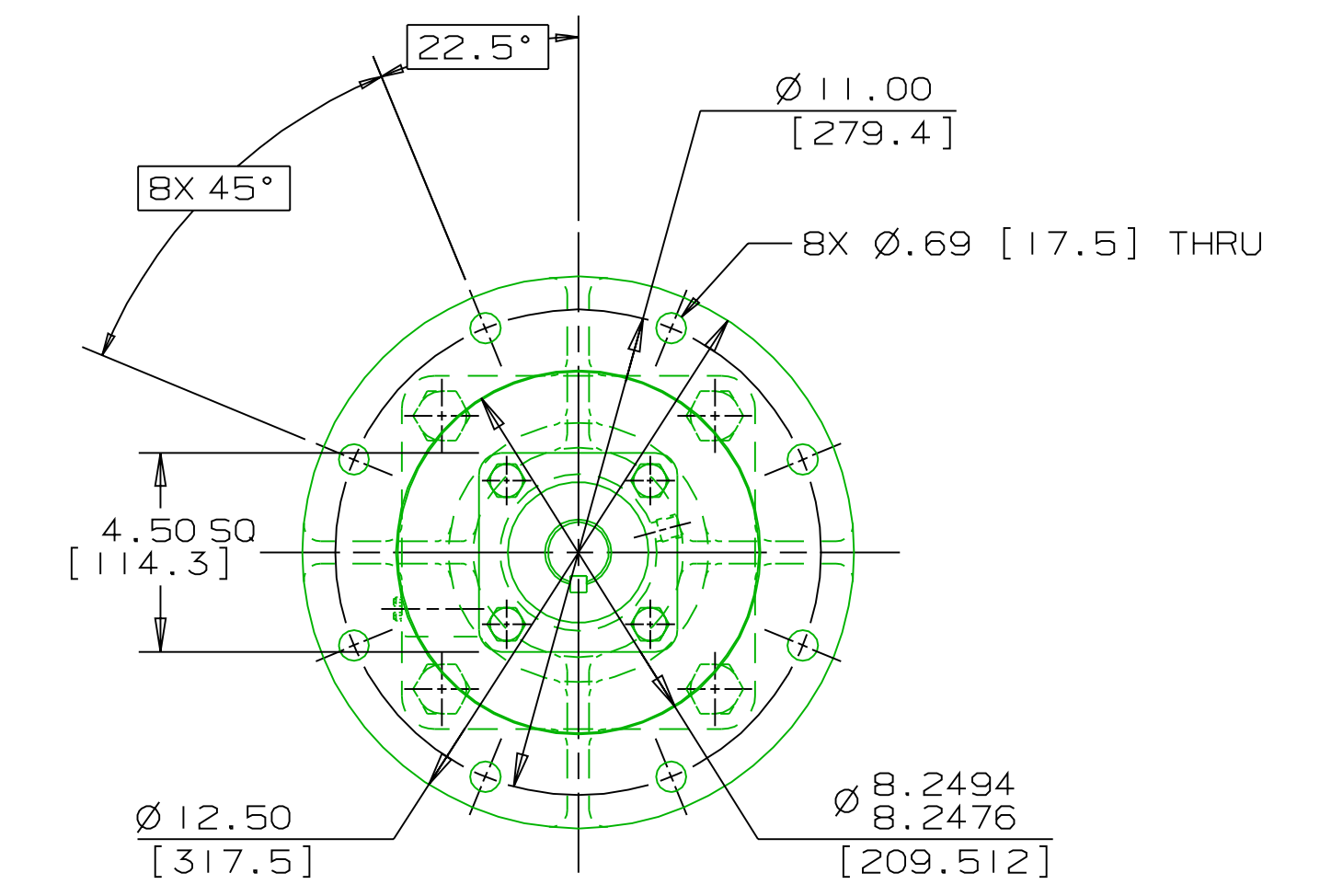
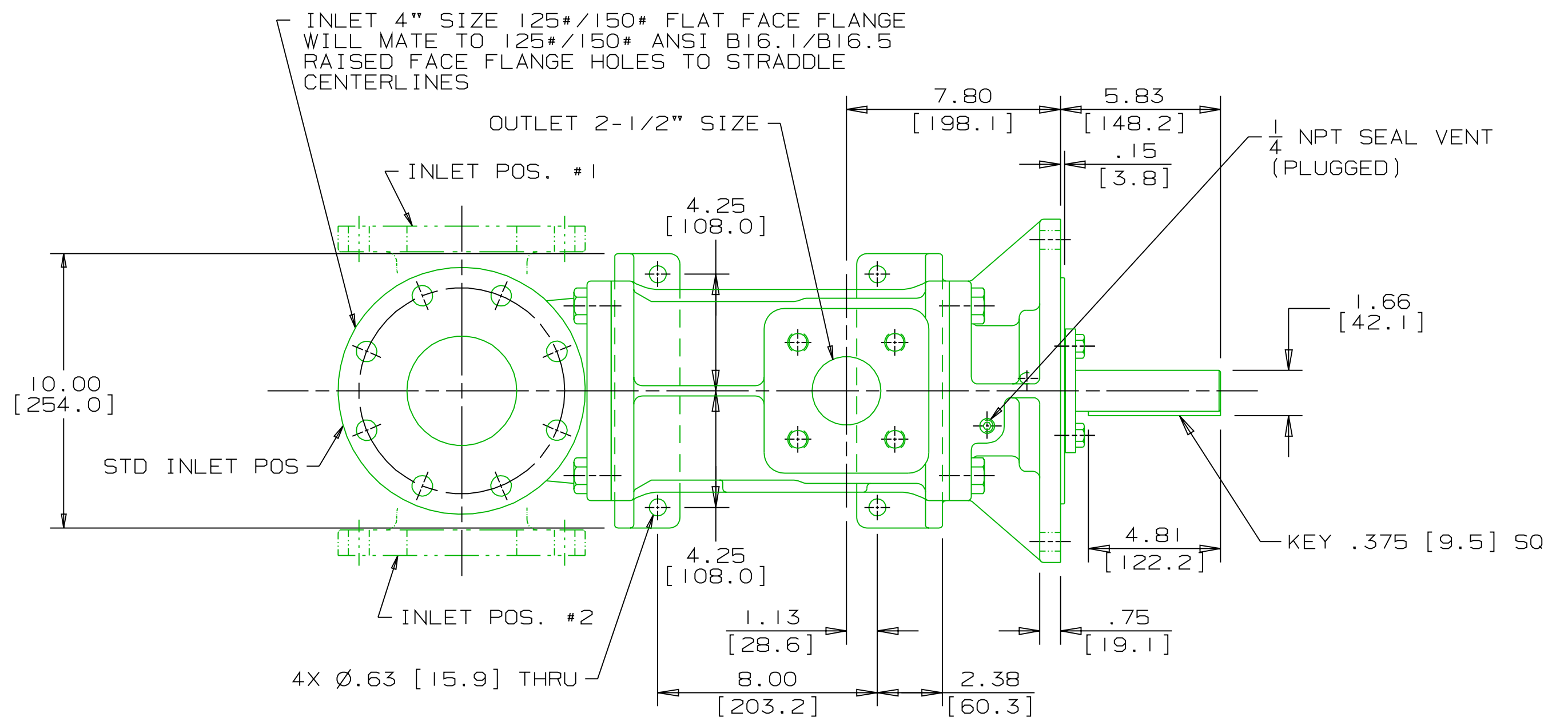
INLET:

FX=300 LBF [1330 N]	MY=500 LB FT [678 N·m]
FY=300 LBF [1330 N]	MZ=500 LB FT [678 N·m]
FZ=300 LBF [1330 N]	

OUTLET:

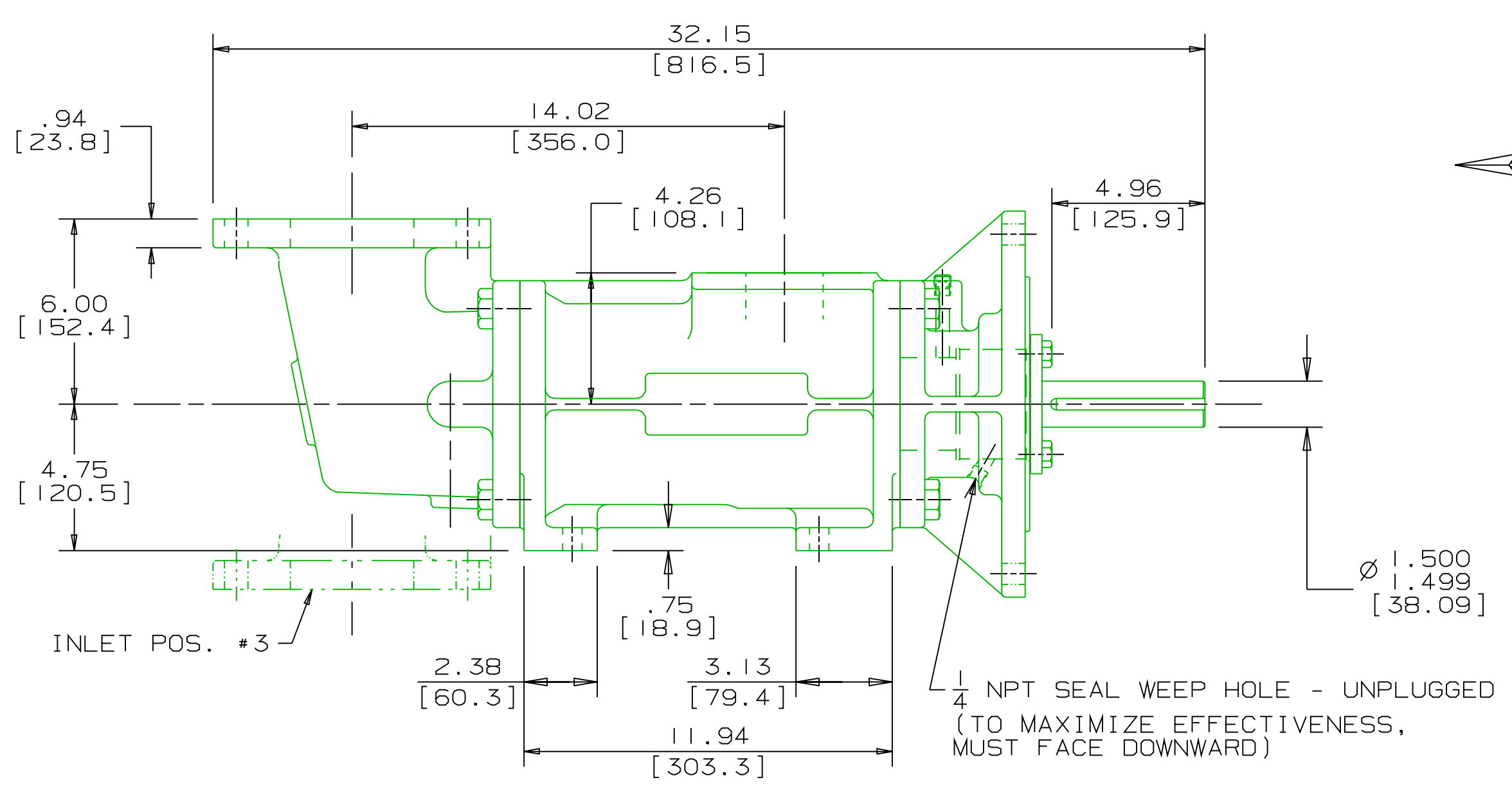
FX=188 LBF [836 N]	MY=313 LB FT [424 N·m]
FY=188 LBF [836 N]	MZ=313 LB FT [424 N·m]
FZ=188 LBF [836 N]	

FORCE AND MOMENT VALUES ARE RELATIVE TO CENTER OF INLET AND OUTLET PORT FACES.



- NOTES:
- UNLESS OTHERWISE SPECIFIED, ALL DIMENSIONS ARE IN INCHES. DIMENSIONS IN [] ARE MILLIMETERS.
 - TO MAXIMIZE SEAL LIFE, SEAL VENT MUST BE ORIENTED UPWARD (12 O'CLOCK) WHEN PUMP IS INSTALLED HORIZONTALLY. THIS IS NORMAL VENT ORIENTATION WHEN PUMP FEET ARE ORIENTED DOWNWARD. SEAL VENT ORIENTATION IS NOT CRITICAL WHEN PUMP IS INSTALLED WITH SHAFT VERTICALLY UPWARD.
 - PORT, FOOT, AND SEAL VENT ORIENTATIONS ARE SUPPLIED AS SHOWN ON DRAWING UNLESS OTHERWISE SPECIFIED.
 - ALTERNATE INLET PORT POSITIONS ARE PROVIDED IF SPECIFIED ON ORDER. AVAILABLE POSITIONS ARE: STANDARD, POSITION #1, POSITION #2 OR POSITION #3. ALL INLET PORT POSITIONS ARE RELATIVE TO OUTLET PORT.
 - ESTIMATED WEIGHT (WITHOUT PORT ADAPTERS) 240 LBS [108.9 kg].

DRAWING CERTIFICATION	
CUSTOMER NAME	-----
CUSTOMER PO NUMBER	-----
CUSTOMER PART NUMBER	-----
BOM NUMBER	-----
PUMP TYPE	-----
SHAFT ROTATION	-----
INLET PORT POSITION	-----
OUTLET PORT ADAPTER OPTION	-----
OTHER INFORMATION	
CERTIFIED BY	-----
CERTIFIED DATE	-----
IMO ORDER NUMBER	-----
DATA REVISION NUMBER	-----



FACE MOUNT, RIGHT ANGLE INLET
IRON 3D-250

WEB ADDRESS: WWW. IMO-PUMP.COM EMAIL: IMO.PUMP@COLFAXCORP.COM

DRAWN JTT 12-07-98
CHECKED BMR 12-10-98
APPROVED MJC 12-11-98

imo Pump
1710 Airport Road
PO Box 5020
Monroe, NC USA
28111.5020

TITLE: **OUTLINE STANDARD (IRON)**
G3D-C-250

THIRD ANGLE PROJECTION FIRST ORDER SIZE CAGE CODE DWG NO
BPCOMM98 D 59180 SDD19587

SCALE 1/4 WEIGHT SEE NOTE 5 SHEET 1 OF 1

**SAR CHESHMEH CONCENTRATOR
EXPANSION PHASE 1**

SPARES

Drawing. No.: E1-30-MD-144

85-340D50138

Equipment No.: E1-30-2110-01

Denomination:

PUMP LOW PRESSURE
IMO model #G3DB-250 (85-
340C50032 P001) (85-340D50179
ITEM #4)

Quantity:

1/1

