

The logo for KSS, consisting of the letters 'KSS' in a stylized, blue, sans-serif font. The 'K' and 'S' are connected, and the second 'S' is slightly larger and positioned to the right of the first 'S'.

KSS

A photograph of a steel mill interior. In the center, a bright, glowing orange and yellow flame or molten metal is being processed. To the right, a large, dense spray of dark, granular material, likely steel dust or slag, is being blown out. The background is dark and industrial, with various pipes and structures visible.

Kimia Saba Alloy Steel

www.easco.com

History of Establishment

Esfarayen Alloy Steel Company (EASCO) was initially established under Kimia-Saba Esfarayen Alloy Steel's brand in 2008 as a privately held company in Esfarayen North Khorasan Province, Iran.

Kimia Saba Esfarayen Alloy Steel, which was established with the aim of producing 15,000 tons of construction ingots and 2,500 tons of cast iron pellets annually, is still active today and its infrastructures and machinery currently serve as a steelmaking training center and sample-making unit for EASCO.

In 2015, with the cooperation of the Bank of Industry and Mine and the National Development Fund and foreign investors' participation, EASCO was established as a new creative project in a 36.5-hectare area near Esfarayen Industrial Town. The production capacity of EASCO currently is about 240,000 tons of alloy steel billet or 320,000 tons of construction billet, and 520,000 tons of rolled alloy steel in various sections, including round, rectangle, belt, coil, RCS, and special sections according to order.

Relying on its human resources' knowledge and experience, the EASCO's management always has a dynamic attitude toward the research and development in manufacturing low and high alloy steels and high-quality steels. We are proud of our highly educated experts and highly experienced managers who came together from the most well-established steelmakers in the country to do their best with the help and supervision of technical consultants from leading international steelmakers.

During more than a decade of production under the brand of Kimia-Saba or EASCO, we have always been committed to offering the best quality and service to our highly respected customers. This is why EASCO has managed to establish the brand as one of the most credible and reliable alloy and construction steel producers in Iran, even with the relatively short period of activity.

A message from CEO and founder

Esfarayen Alloy Steel Company is one of the largest steel producers in the private sector in Iran. This success is achieved only through the deep insight and tireless efforts of the managers and meritorious personnel of this company, who are rightfully the most important and precious capital of this company.

In EASCO, we never get tired of pursuing innovation and following the principles of customer orientation. We hope these valuable key approaches in our company lead to a worthy contribution to the steel industry's development in our beloved country, Iran.



Machinery and Equipment of Alloy Steel Making Plant

Induction Furnace

This plant is equipped with four induction furnaces with the capacity of 35 tons each, which can be fed by the direct reduction iron, scrap iron, or any types of steel scrap to produce 240,000 tons of alloy steel or 320,000 tons of construction steel per year.



Oxygen blowing system

In addition to the vacuum decarburization system, the Steel Making Plant is equipped with a system for oxygen and neutral gas blowing, which is used for the decarburization process in making stainless steels, low-carbon alloy steels, and also in reduction process and dephosphorization process during steelmaking and secondary metallurgy.



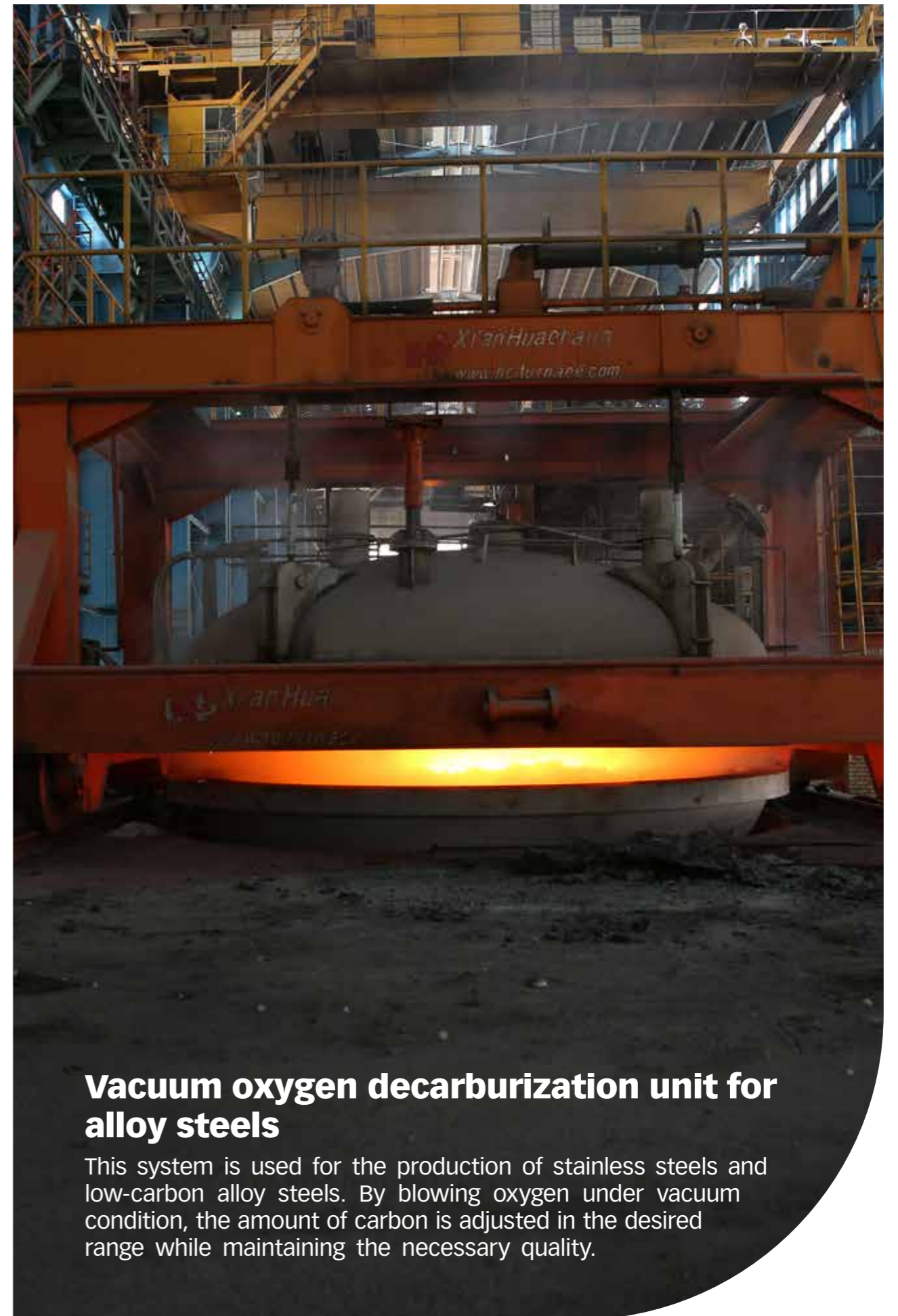
Ladle Furnace

The 40 tons ladle furnace is used for secondary steelmaking. The LF, which is an electric arc furnace, has the ability to blow argon gas from the bottom. In order to achieve the maximum quality of steel produced, ferroalloys feeding and slag removal are done automatically.



Vacuum degasser unit for alloy steels

By applying vacuum (less than two millibars), this unit minimizes the oxygen, hydrogen, and nitrogen gas content dissolved in the melt to achieve the best possible result for high-quality steels.



Vacuum oxygen decarburization unit for alloy steels

This system is used for the production of stainless steels and low-carbon alloy steels. By blowing oxygen under vacuum condition, the amount of carbon is adjusted in the desired range while maintaining the necessary quality.



Continues Casting Machine

Two separate lines of continuous casting machine (single strand R6, and two strands R9). The R9 CCM is equipped with an electromagnetic stirrer (EMS) to produce high-alloy steels and stainless steel.

Single strand R6 CCM: 120*120 – 150*150

Two strands R9 CCM: 150*150 – 180*180 – 200*200

Maximum length: 12 m



Alloy Ingot Batch Casting Unit

According to the order, batches with different sizes and shapes are available to produce ingots as desired by the customers. The final products can be produced in quadrilateral, multifaceted, and cylindrical and come in different dimensions and sizes.

Development plan

Rolling mill plant (under construction)

This plant, equipped with 22 strands of rolling machines, has the ability to produce all kinds of round, quadrilateral, RCS, and coil sections with a capacity of 520,000 tons per year.

The input materials of this plant are supplied either directly by the output of the company's continuous casting unit, which after passing through the induction furnace would be fed to rolling machines, or by preheating the raw materials from other sources in the wagon furnaces.

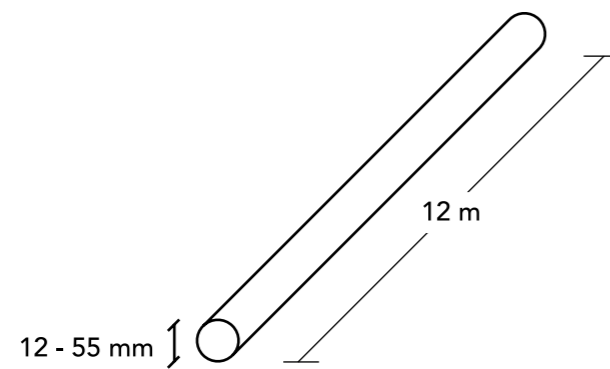
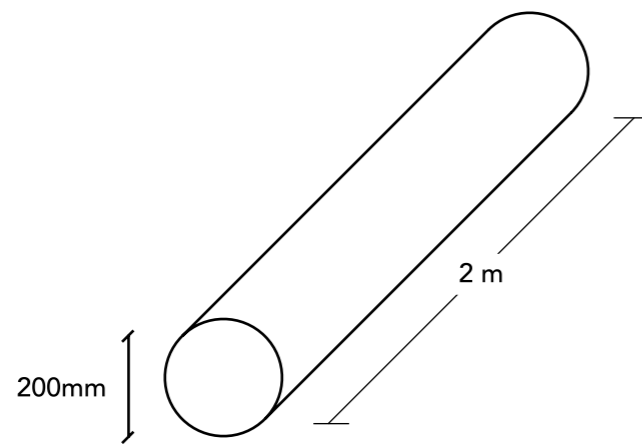
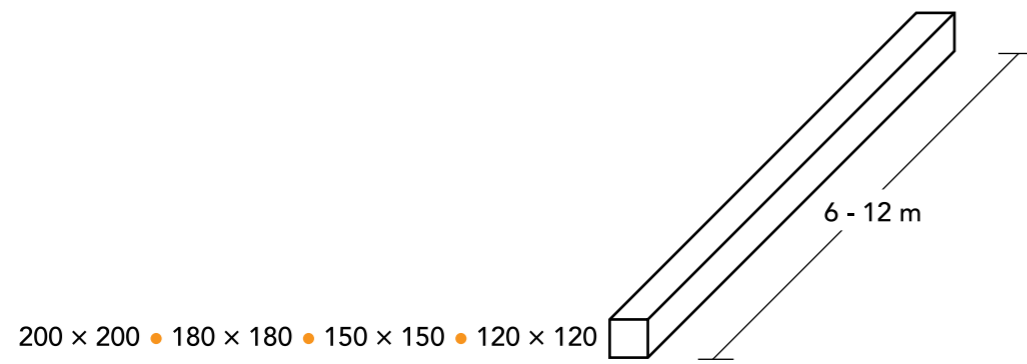
In this plant, a cold rolling sizing unit with an accuracy of 0.05 mm along with twisting and peeling devices is also provided. The rolling plant's final products are of sizes from 5.5 to 14 mm in diameter for coils, 15 to 120 mm in diameter for bars and blooms, and according to customer's order for quadrilateral sections. All the products will be subjected to annealing, quenching, or regular heat treatments if required.

Thank you for your time and consideration

Esfarayen Alloy Steel Company (EASCO)

November 2020



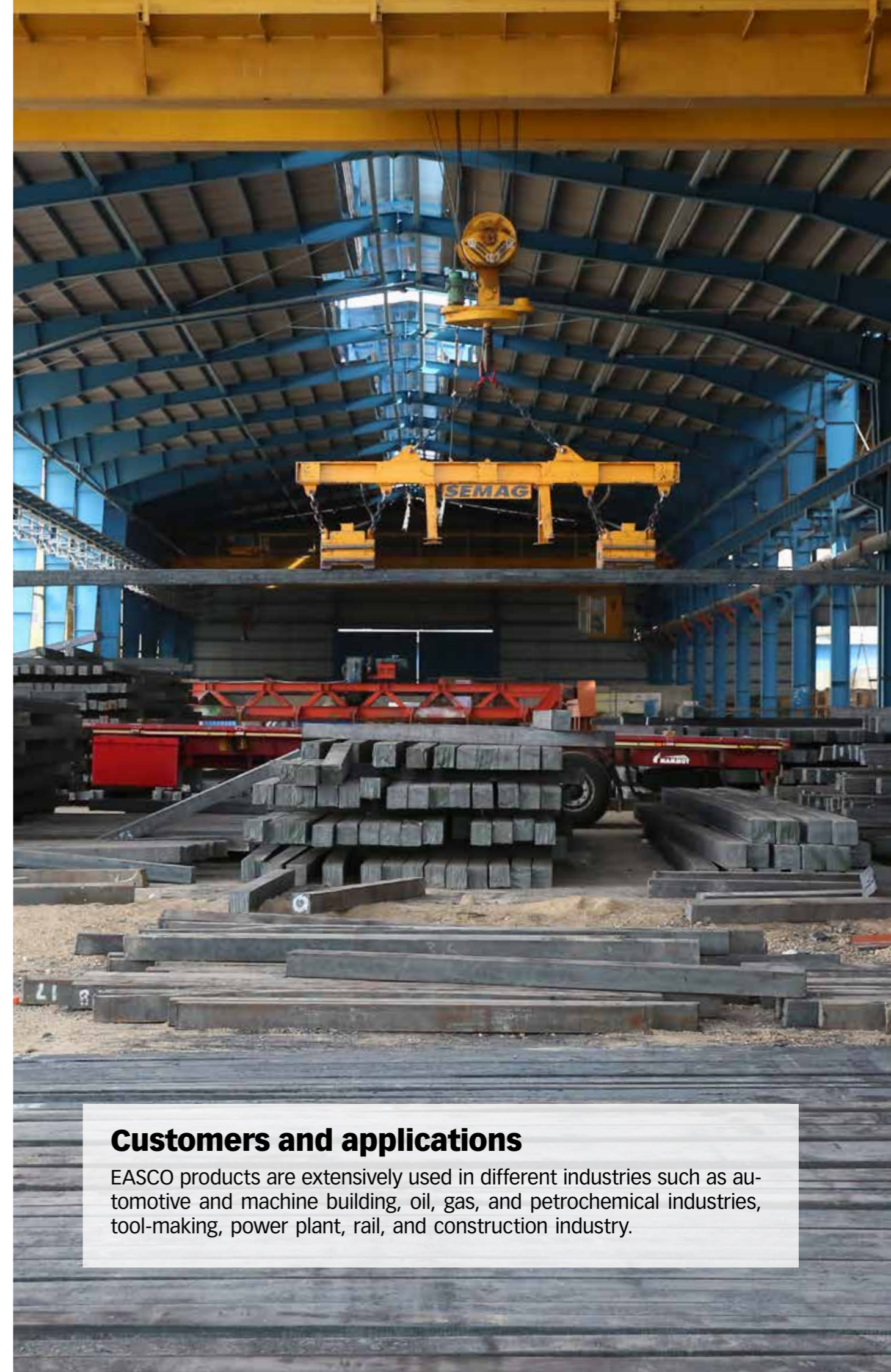


	DIN Symbol	DIN	AISI/SAE/ASTM
HEAT TREATABLE STEELS	Ck45	1.1191	1045(SAE)
	Ck60	1.1221	1064(SAE)
	34CrNiMo6	1.6582	
	42CrMo4	1.7225	4140(SAE)
	25CrMo4	1.7218	4130(SAE)
CEMENTATION STEE	20MnCr5	1.7147	5120(SAE)
	18CrNi8	1.5920	-
	17CrNiMo6	1.6587	AISI 4820
CARBON TOOL STEELS	100Cr6	1.2067	A681(L3) ASTM
	C60W	1.1740	
	C105W1	1.1545	AISI W110
HOT WORK TOOL STEELS	56NiCrMoV7	1.2714	
	55NiCrMoV6	1.2713	A681(L6)ASTM
	X38CrMoV5	1.2344	6437E(AMS)
	21CrMo10	1.2313	
PLASTIC MOULD STEELS	40CrMnMo7	1.2311	AISI P20
	21MnCr5	DIN 1.2162	
	40CrMnMoS8	1.2312	AISI P20+S
SPRING STEELS	Ck70	1.1248	1075(SAE)
	50CrV4	1.8159	6150(SAE)
	55Cr3	1.7176	AISI 5155H

Quality control and labs

In this unit, all blooms and ingots are checked in terms of surface and size qualities by quality control inspectors. The laboratory of EASCO, equipped with modern devices and experienced personnel offering services including metallurgical and chemical tests complying with international standards. Some of the laboratories are as follows:

- Quantometry laboratory
- Metallography laboratory
- Wet chemistry laboratory



Customers and applications

EASCO products are extensively used in different industries such as automotive and machine building, oil, gas, and petrochemical industries, tool-making, power plant, rail, and construction industry.



Address: **Sanat Blvd., Khosh Industrial Park, Esfarayen, North Khorasan, Iran.**
Tel: (+9858) 37217707-9 Fax: (+9858) 37217706

www.easco.com