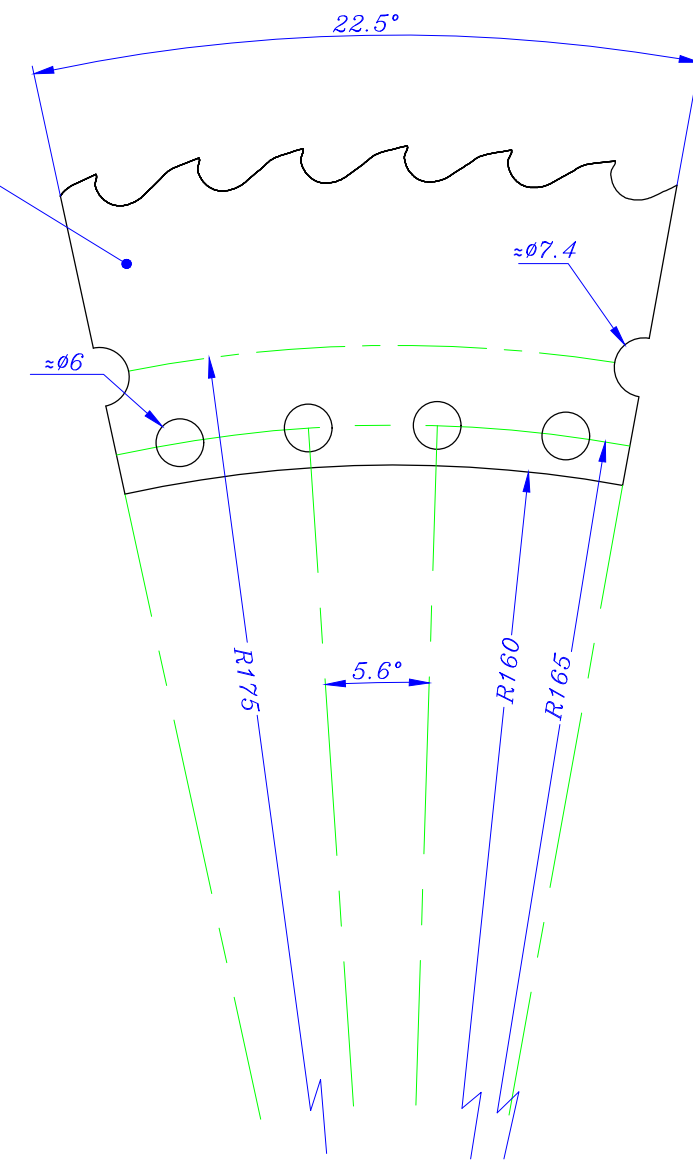



This form is for cutting Copper Profiles



*Part: X
Scale: 1:1
QTY: 16*

Thickness: 3.7mm

Factory: Extrusion		Machine: 5-510	Sheet: 1
Material:	Hardness:	Part Name: Saw Blade	1 Sheets:
01	Date	Name	Sub assembly name:
drawn	11.12	M. Niknafs	1:2
Checked		Mj. Peypar	Refrence drawing NO.:
Approved		H. Rezaei	Part NO.:
		Drawing NO.:	Work QTY.:
		P5000-2554	Min. Stock:
SHAHID BAHONAR COPPER INDUSTRIES CO.			

*Permissible Variations
in untoleranced dimensions
DIN ISO 2768-1 Fine*

First Angle Project 

ALL RIGHTS IN THIS DRAWING ARE RESERVED TO US