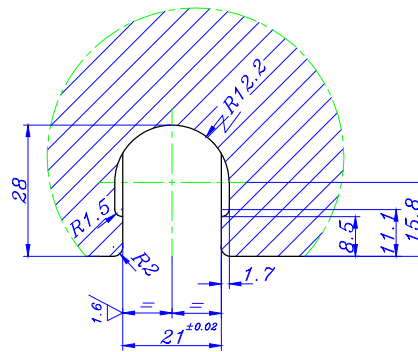


Isometric view




Detail : B
Scale 1:1

Section A-A

3.2/ (1.6/)

Quenched and tempered for
hardness : 46-48 HRC

Factory: Busbar	Machine: Conform	Sheet: 1
Material: 1.2344 Forged	Hardness:	1 Sheets:
01 Date	Name	Sub assembly name:
drawn 07.18	Mj. Peyfar	Scale: 1:2
Checked	M. Niknafs	Refrence drawing NO.:
Approved	H. Rezaei	Part NO.:
		Work QTY.:
		Min. Stock:
Drawing NO.: P9000-0019		SHAHID BAHONAR COPPER INDUSTRIES CO.

Permissible Variations
in untoleranced dimensions
DIN ISO 2768-1 Fine

First Angle Project

ALL RIGHTS IN THIS DRAWING ARE RESERVED TO US