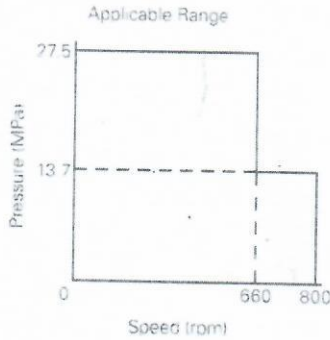


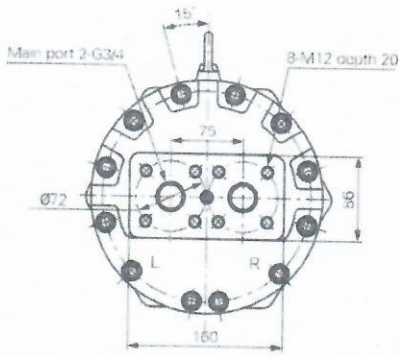
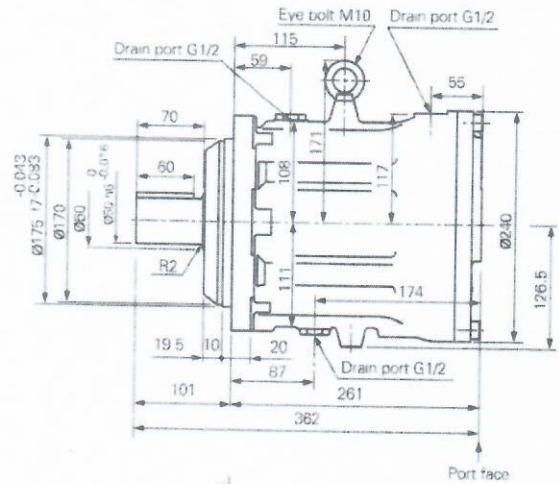
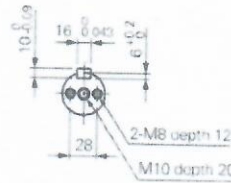
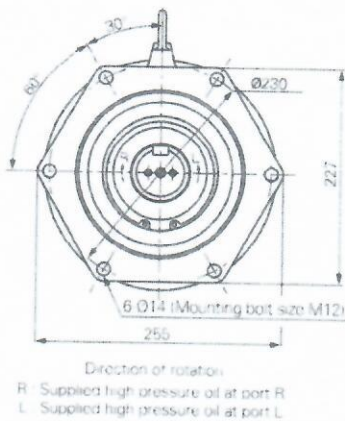
## ME300B

(Dimensions in mm)

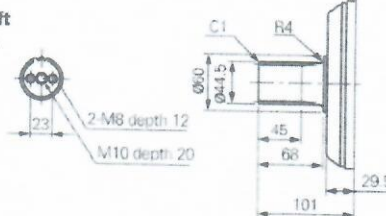


Displacement	300cm <sup>3</sup> /rev
Rated pressure	27.5MPa (280kgf/cm <sup>2</sup> )
Peak pressure	31.9MPa (325kgf/cm <sup>2</sup> )
Rated torque	1320Nm (134kgfm)
Rated speed	660rpm
Max. speed	800rpm
Rated horse power	90kW (123PS)
Mass	60kg

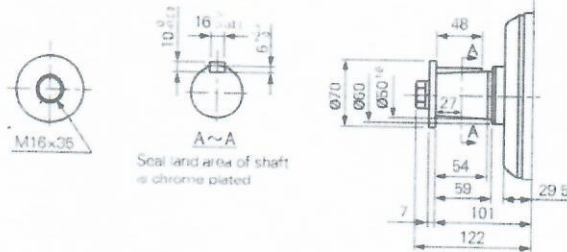
## Nominal dimensions



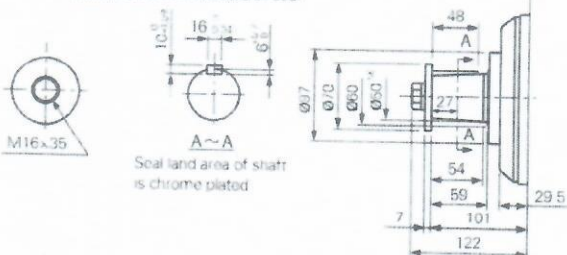
Splined shaft  
Shaft code : P



Tapered shaft (1/10 taper)  
Shaft code : B (Single oil seal)



Tapered shaft (1/10 taper)  
Shaft code : BW (Double oil seal)



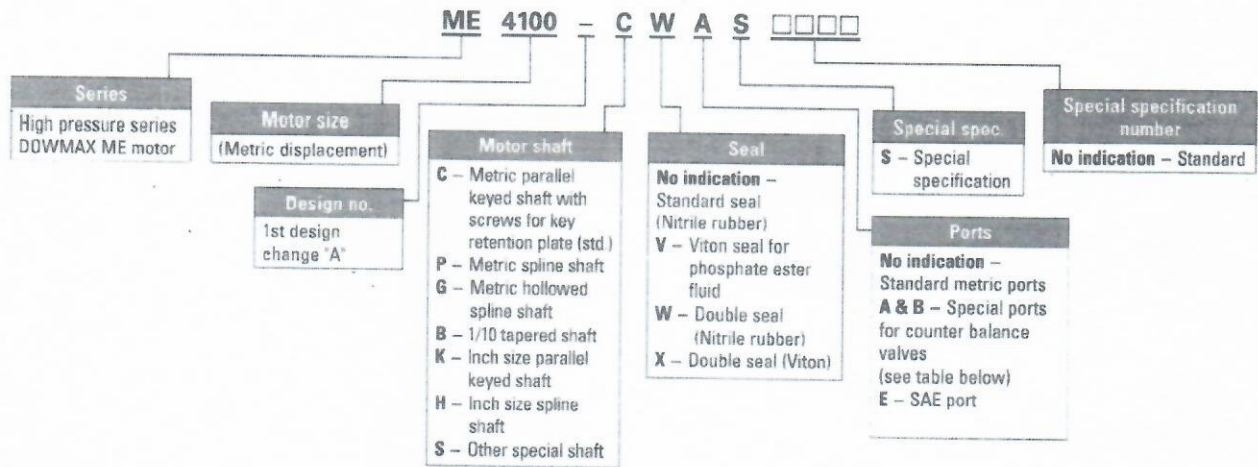
JIS D2001 Involute spline  
45 x 16 x 2.5 (Class b)

Tooth	Coefficient of profile shifting	+0.800
	Tooth form	Stub tooth
	Module	2.5
	Pressure angle	20°
Shaft	Number of teeth	16
	Dia. of basic pitch circle	40
	Grade	Class b (flank fit)
	Over-pin dia.	49.277 <sup>+0.018</sup> <sub>-0.027</sub> Pin dia.=Ø4.5
Tooth thickness	Over-all, across a given number of teeth (reference)	20.379 <sup>+0.001</sup> <sub>-0.008</sub> (3-teeth)
	Outer dia.	44.5
Hole	Inner dia.	39
	Coefficient of profile shifting	+0.800
	Tooth form	Stub tooth
	Module	2.5
Tooth	Pressure angle	20°
	Number of teeth	16
	Dia. of basic pitch circle	40
	Over-pin dia.	35.166 <sup>+0.005</sup> Pin dia.=Ø5 Thickness of chamfered part=4.26
Tooth width	Over-all, Displacement across a given number of grooves (reference)	20.379 <sup>+0.020</sup> <sub>-0.009</sub> (3-teeth)
	Outer dia.	45.75
Hole	Inner dia.	40 <sup>+0.035</sup>

# DOWMAX® ME motor

## Coding

\* ME 300BC \*



Port symbol for attaching counter balance valve  
 - Means Std. port

Model	ME100	ME150- ME850B	ME1300A	ME1900	ME2600	ME3100	ME4100
Valve	-	A	A	A	A	-	-
	*	B	A	B	B	-	B
	*	B	A	B	B	-	B

\* Valves cannot be attached

## Selection chart

This chart indicates the relation of actual torque and shaft rotation at the rated pressure of 27.5MPa (280kgf/cm<sup>2</sup>) and 24.5MPa (250kgf/cm<sup>2</sup>).

Given the required torque and shaft speed the appropriate model can be selected from the diagram. When the operating pressure differs from 27.5 or 24.5MPa (280 or 250kgf/cm<sup>2</sup>), refer to the performance data for the respective model.

